



German Engineering

CATALOGUE 2021

SPRAY GUNS

CUP SYSTEMS

BREATHING PROTECTION

FILTER TECHNOLOGY

ACCESSORIES

MERCHANDISE ITEMS



Table of Contents

Spray Guns 4

SATAjet® X 5500 PHASER	10
SATAjet® X 5500	12
SATAjet® 5000 B	14
SATAjet® 3000 K	16
SATAjet® 4800 K spray mix	18
SATAjet® 3000 K spray mix	20
SATAjet® 1000 B	23
SATAjet® 1000 B	
Lignum 2	26
SATAjet® 1000 K	29
SATAjet® 1000 H	32
SATAjet® 100 B F	34
SATAjet® 100 B P	34
SATAminijet® 4400 B	37
SATAminijet® 1000 K	40
SATAjet® H	42
SATA® spray master RP®	44
SATAjet® 20 B	46
SATAgraph™ 1/3	48
SATAgraph™ 4	50
Extensions SATAjet® 1000 B RP®	52
Extensions SATAjet® 1000 K RP®	53
Material and air connection SATAjet® 3000 K, 1000 K	54
Material and air connection SATAminijet® 1000 K	55
Spray Gun Cases	56
Nozzle Sets and spare parts of discontinued gun models	59
Spare parts SATAjet® 5000 B PHASER (discontinued gun model)	60
Spare parts SATAjet® 4000 B (discontinued gun model)	61
Spare Parts SATAminijet® 3000 B HVLP (discontinued gun model)	62
SATAjet® B / SATAjet® GR (discontinued gun model)	63
SATA adam 2,	
SATA adam 2 black	64
Spare parts for SATA spray guns with gravity flow cup	66
Accessories for spray guns	68
Cleaning and Maintenance of Spray Guns	70

Cup Systems 73

SATA® RPS®	
Multi-Purpose Cup System	74
SATA® RPS® Accessories	76
Gravity flow cup for spray guns	78
RPS® Adapters for SATA Spray Guns	79
RPS® Adapters for NON SATA GUNS	80
SATA® Agitator Cup	81
SATA® BVD™	82

Breathing Protection 84

SATA® air vision™ 5000	88
SATA® vision™ 2000	92
SATA® air star C	94
Accessories for SATA vision 2000/SATA air star C	96
SATA® air star® F	98

Filter Technology 100

SATA® filter 100 prep™/101 prep™/103 prep™	102
SATA® filter 414™/424™/434™/464™	104
SATA® filter 444™/474™/484™	106
SATA® filter 524™/544™/564™/584™	109
Accessories for SATA® filter series	112

Accessories 114

SATA® mini set™ 2	116
SATA® paint set™ 10	118
SATA® Paint Pressure Tanks 24 l / 48 l	120
SATA® vario top spray™	122
Grit Blasting Equipment /	
Blow Guns	126
SATA Cleaning Systems	132
SATA® trueSun™	136
SATA® dry jet 2™	137
SATA® hoses	138
SATA® Painting Overalls	140

Merchandise Items 143

General Information

Technical Information

As most end-users use quick couplings, SATA spray guns are generally supplied with air inlet G 1/4" male thread without hose screws.

Terms of Delivery

All indicated prices are ex works. They exclude packaging, freight, shipment and insurance cost. The general terms and conditions of delivery and payment apply exclusively. They can be viewed at www.sata.com/LZB. We object to any other purchasing conditions.

Prices

All prices in this list are recommended prices only and will be valid for the indicated period of time. All prices are quoted exclusive of VAT. We reserve the right to change prices at any time and without prior notification.

Small Order Policy

Small orders below a value agreed with the customer (list prices excl. VAT) will be invoiced at gross list prices without

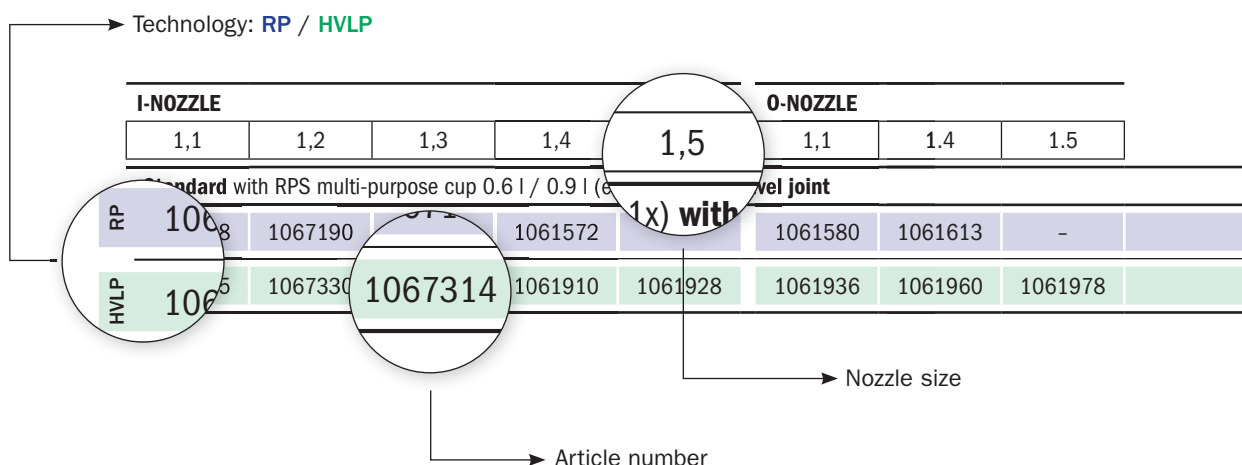
discount. In case that nothing has been stipulated with the customer, a minimum order value of 2.500.00 € applies.

Exchange/Return

We only accept return and exchange of products upon prior written authorisation by SATA. Goods for refund must be returned in unused, pristine condition and in their original packaging. Outdated, used or damaged parts will not be accepted for return. For the return of products which have been incorrectly ordered, or for other reasons which we cannot be held responsible for, a charge of 20 % of the net purchase price will be levied to cover inspection and administrative costs. A handling charge of minimum 60.00 € will apply in any case for each transaction.

Errors, technical modifications and printing errors reserved.

Structure of the Price Sheets



Product classification in condition groups (CG)

- (0) Special items
- (1) Spray guns, filtration technology, blow guns and underbody protection spray guns
- (2) Breathing Protection
- (3) Components, accessories and spare parts for articles belonging to group CG 1, e.g. nozzle sets, gravity flow cups, etc
- (4) Components, accessories and spare parts for articles belonging to groups CG 2 and CG 5
- (5) Pumps, pressure pots, rustproofing equipment, automatic spray guns, dry-blowing systems, cleaning devices and dispensing systems
- (6) Other devices, service
- (7) Industrial equipment

Spray Guns

SPRAY GUNS
CUP SYSTEMS
BREATHING PROTECTION
FILTER TECHNOLOGY
ACCESSORIES
MERCHANDISE ITEMS

Robust air cap made of chrome-plated brass with **QC™** air cap thread for quick change with one turn only.
Air cap ring:
green = HVLV technology
blue = RP technology.

Fluid tip and paint needle made of corrosion-resistant stainless steel.

Material passage (red)

Air passage (blue)

Fluid tip seal ensuring minimal cleaning effort and safe colour change.

Low maintenance, self-adjusting sealings at air piston and paint needle.

Gun trigger with paint needle guard ensuring increased life time of the paint needle packing.

Option: Digital pressure display for exact pressure adjustment, perfect colour match and reproducibility.

CCS™ – Color Code System. For the convenient identification of your spray gun.

QC™ – Quick Cup Connector. Bayonet cup connection. Ensures quick and clean cup change as well as easy cleaning.

Gun suspension hook for convenient storage.

Control elements can be perfectly adjusted even wearing gloves. Improved material flow control.

Air micrometer for the adjustment of the atomisation air. Highest precision with digital pressure gauge (optional).

Spray fan control allowing fine adjustment with a half turn only.

Ergonomically shaped gun handle.

Easy to clean, corrosion-resistant anodised surface.






Air connection 1/4" male thread with swivel joint.









Warranty: Talking quality is not enough – we guarantee it: for three years with registration!



Spray gun types	Fields of application	Operating mode
	<p>SATAjet® X 5500 PHASER RP® /HVLP 10 – 11</p> <p>Top coat application for perfect finishes of e.g. vehicles, utility vehicles, furniture, yachts or high quality industrial components with all paint systems.</p>	<ul style="list-style-type: none"> · Optionally available in HVLP low pressure or optimised high pressure RP technology with each two different nozzle systems · I-nozzles for a controlled application · O-nozzles for a fast application · Fan control · Material flow control · Air micrometer · RPS multi-purpose cup · Retrofit: digital pressure gauge, SATA adam 2
	<p>SATAjet X 5500 RP® /HVLP 12 – 13</p> <p>Top coat application for perfect finishes of e.g. vehicles, utility vehicles, furniture, yachts or high quality industrial components with all paint systems.</p>	<ul style="list-style-type: none"> · Optionally available in HVLP low pressure or optimised high pressure RP technology with each two different nozzle systems · I-nozzles for a controlled application · O-nozzles for a fast application · Fan control · Material flow control · Air micrometer · RPS multi-purpose cup · Optional feature: integrated digital pressure gauge · Retrofit: digital pressure gauge, SATA adam 2
	<p>SATAjet 5000 B RP® /HVLP 14 – 15</p> <p>Top coat application for perfect finishes of e.g. vehicles, utility vehicles, furniture, yachts or high quality industrial components with all paint systems.</p>	<ul style="list-style-type: none"> · Optionally available in HVLP low pressure or optimised high pressure RP technology · Fan control · Material flow control · Air micrometer · RPS multi-purpose cup · Retrofit: digital pressure gauge, SATA adam 2
	<p>SATAjet 1000 B RP® /HVLP 23 – 25</p> <p>Top coat application for perfect finishes of e.g. furniture, yachts or high quality industrial components with all paint systems.</p>	<ul style="list-style-type: none"> · Optionally available in HVLP low pressure or optimised high pressure RP technology · Fan control · Material flow control · Air micrometer · RPS multi-purpose cup · Retrofit: digital pressure gauge, SATA adam 2
	<p>SATAjet 1000 B LIGNUM 2 RP® /HVLP 26 – 27</p>	
	<p>SATAjet 1000 H RP® /HVLP 32 – 33</p>	

Spray gun types	Fields of application	Operating mode
 <p>SATAjet 3000 K RP® /HVLP 16 – 17</p>	Ideally suited for coating large areas, e.g. on commercial vehicles, or other high-quality objects	<ul style="list-style-type: none"> To be used in combination with paint pressure tanks or low pressure pumps, e.g. SATA vario top spray Optionally available in HVLP low pressure or optimised high pressure RP technology Axial fan control Material flow control Retrofit: digital pressure gauge, SATA adam 2
 <p>SATAjet 4800 K spray mix 18 – 19</p>	Ideally suited for coating large areas in airless or airmix application	<ul style="list-style-type: none"> To be used in combination with high pressure pumps up to 250 bar Air micrometer Swivel joint on material connection Retrofit: digital pressure gauge, SATA adam 2
 <p>SATAjet 3000 K spray mix 20 – 21</p>	Ideally suited for coating large areas, e.g. on commercial vehicles, or other high-quality objects	<ul style="list-style-type: none"> To be used in combination with high pressure pumps up to 250 bar Fan control Air micrometer Retrofit: digital pressure gauge, SATA adam 2
 <p>SATAjet 1000 K RP® /HVLP 29 – 31</p>	Ideally suited for coating large areas, e.g. on commercial vehicles, or other high-quality objects	<ul style="list-style-type: none"> To be used in combination with paint pressure tanks or low pressure pumps, e.g. SATA vario top spray Retrofit: digital pressure gauge, SATA adam 2
 <p>SATAjet 100 B F RP® /HVLP 34 – 35</p>	Application of primer and filler materials in refinish, craft and industry	<ul style="list-style-type: none"> Optionally available in HVLP low pressure or optimised high pressure RP technology Fan control Material flow control Air micrometer Gravity flow cup with QCC bayonet lock Retrofit: digital pressure gauge, SATA adam 2

Spray gun types	Fields of application	Operating mode
 <p>SATAJet 100 B P 34 – 35</p>	Application of sprayable putty	<ul style="list-style-type: none"> High pressure spray gun with shortened air cap horns without air micrometer Functional components like SATAJet 100 B, however without air micrometer Retrofit: digital pressure gauge, SATA adam 2
 <p>SATAMinijet 4400 B RP® /HVLP 37 – 39</p>	Spray gun for small paint jobs and areas of difficult access design in craft and industry. Also perfectly suitable for the application of release agents. Special SR nozzle sets for spot repairs in the automotive sector	<ul style="list-style-type: none"> Optionally available in HVLP low pressure or optimised high pressure RP technology Fan control Material flow control Air micrometer Gravity flow cup with QCC bayonet lock or RPS multi-purpose cup Special HVLP SR and RP SR nozzle sets Retrofit: digital pressure gauge, SATA adam 2
 <p>SATAMinijet 1000 K RP® /HVLP 40 – 41</p>	Spray gun for the manual serial coating of small and complex parts as well as for decorative and design applications, for instance in the toy or cosmetic industry. It is also perfectly suitable for the application of release agents and lubricants on diecasting or forging moulds	<ul style="list-style-type: none"> Optionally available in HVLP low pressure or optimised high pressure RP technology To be used in combination with paint pressure tanks, e.g. SATA mini set 2 As suction cup version in combination with RPS multi-purpose cups Retrofit: digital pressure gauge, SATA adam 2
 <p>SATAJet 20 B 46 – 47</p>	Spray gun for custom design in craft and industry, calligraphy, patination	<ul style="list-style-type: none"> Exclusively available with round spray nozzles Reusable cup
 <p>SATAgraph 1/3/4 48 – 51</p>	Spray guns for custom design in craft and industry	<ul style="list-style-type: none"> Airbrush gun with gravity or suction cup, resp. Exclusively available with round spray nozzles Some featuring double-action function
 <p>SATA spray master RP® 44 – 45</p>	Application of small amounts of high-viscosity materials	<ul style="list-style-type: none"> Optimised high pressure RP Pressurised gravity flow cup with pressure regulation valve

► For an overview of our **automatic spray guns**, please order the catalogue for industrial equipment at info@sata.com.

The revolutionary nozzle system

State-of-the-art paint systems and the latest application recommendations open up new possibilities, but also pose new challenges for professional painters. The SATAjet X 5500 featuring the new X-nozzle system now defines a wholly new application standard for the future.

The concept of this nozzle system is easy and straightforward to understand: Both proven application technologies – HVLP and RP – remain available, but now each of them with the additional choice between "I" and "O"-nozzle sets. In line with the increasing nozzle sizes within each of the respective technology (HVLP / RP), the material flow rate increases too with constant increments – which means that the spray fan size and width remain unchanged across the entire nozzle spectrum. In essence, end-users can now rely on a transparent and consistent system which offers them clear and well-structured application options.

The "I"-nozzles produce a parallel spray fan pattern with a minimal dry zone and a drier centre which is ideal for painters preferring a **reduced application speed** and maximum application control during the painting process. The **film build per coat** in comparison to an "O"-nozzle of the same size is **slightly reduced**.

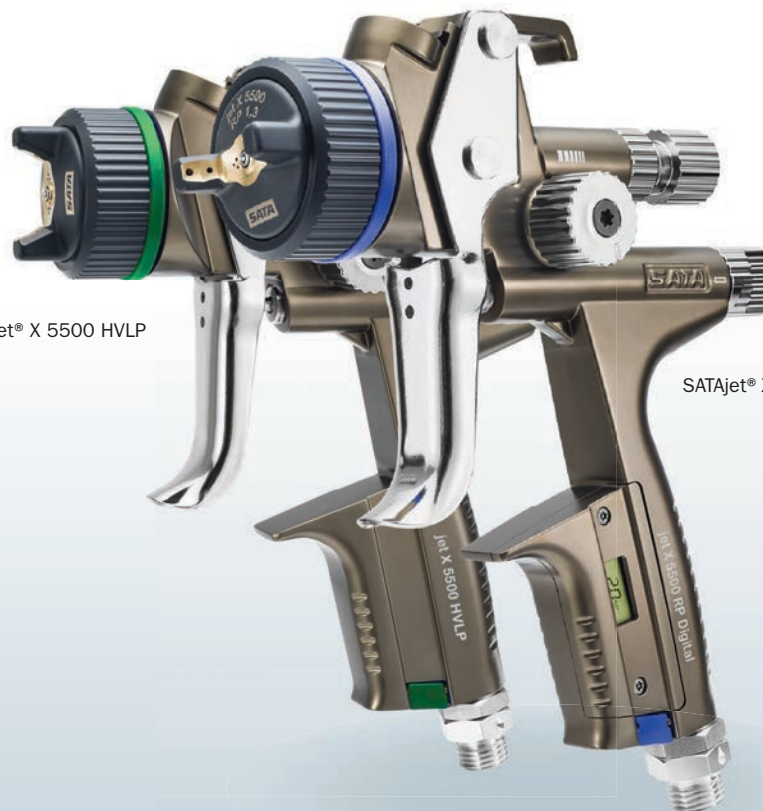
- Parallel spray fan with minimal dry zone
- Improved control during application
- Reduced film build per coat compared to the nozzle set currently in use or the "O"-nozzle

"O"-nozzles do have an oval-shaped spray fan pattern with a larger dry zone and a wet core to accommodate **increased application speed** at the expense of slightly less application control during the painting process. The **film build per coat** in comparison to an "I"-nozzle is **slightly higher**.

- Oval-shaped spray fan with larger dry zone
- Wet core for increased application speed
- Film build per coat slightly higher compared to the "I"-nozzle

SATAjet® X 5500 HVLP

SATAjet® X 5500 RP® Digital



PRODUCT BENEFITS

- Revolutionary: The X-nozzles are taking atomisation to a whole new level
- Noticeably quieter: Whispering nozzle™ due to optimised air flow geometry, reduced noise level in the relevant sound frequency ranges
- Individual: Matches any application requirement, such as specific characteristics of the paint system, climatic conditions and application method (application speed/application control)
- Precise: Optimised material distribution for enhanced spraying uniformity and atomisation with both spray fan shapes
- Low maintenance: No air distribution insert required, thus also ensuring a much easier and faster cleaning process
- Consistent: Constant fan size across the entire nozzle spectrum (within each respective atomisation technology) with linear increases of the material flow rate
- Efficient: The optimised atomisation concept enables to realise considerable material savings using the same application method as before

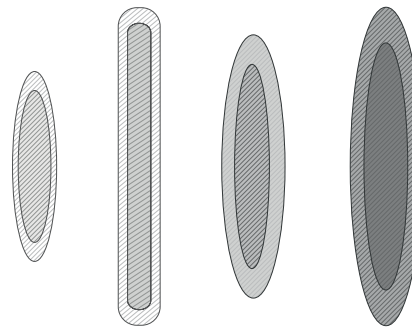
Select your favorite nozzle



www.sata.com/nozzlefinder

SPRAY FAN SHAPES

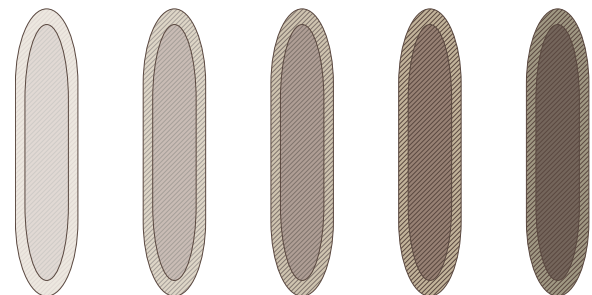
Examples of current fan shapes



1.1 1.2 W 1.3 1.4

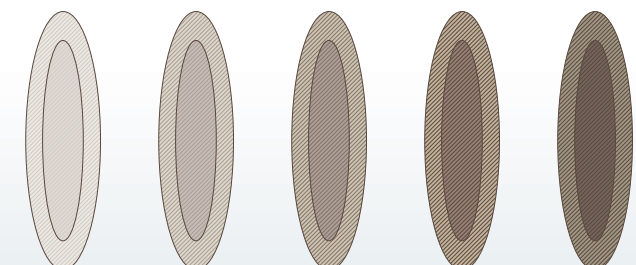
With SATAjet X 5500

Fan shape I-nozzle HVLP/RP



1.1 I 1.2 I 1.3 I 1.4 I 1.5 I

Fan shape O-nozzle HVLP/RP



1.1 O 1.2 O 1.3 O 1.4 O 1.5 O

SATAjet® X 5500 PHASER

RP® /HVLP



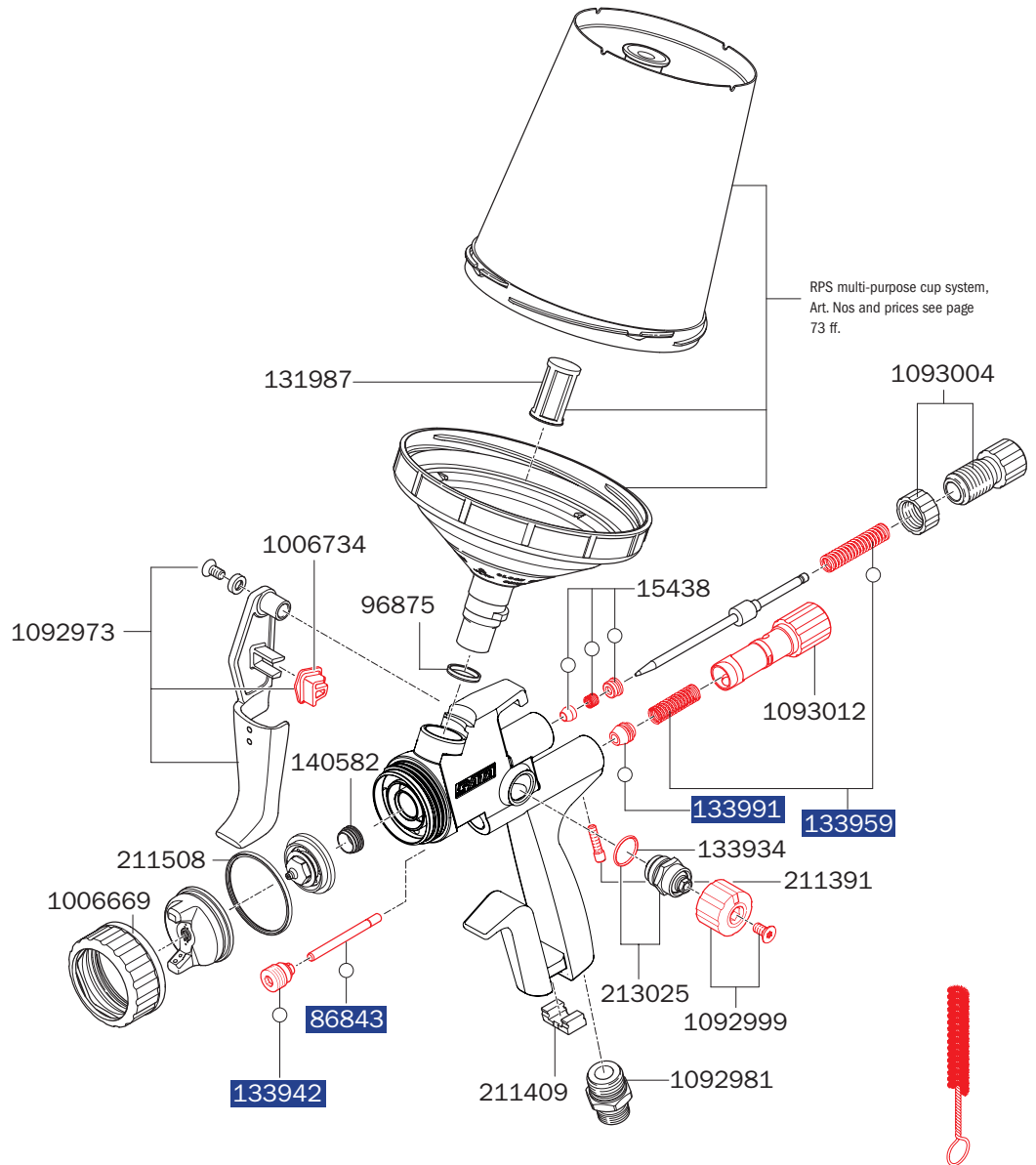
Technical data:	RP	HVLP
Inlet pressure	Operating range (Field of application): 0.5 bar - 2.4 bar Compliant: max. 2.0 bar	Operating range (Field of application): 0.5 bar - 2.4 bar Compliant: max. 2.0 bar
Air consumption at 2.0 bar	290 NI/min	430 NI/min
Spray distance	Operating range (Field of application): 10 cm - 21 cm Recommended: 17 cm - 21 cm	Operating range (Field of application): 10 cm - 21 cm Recommended: 10 cm - 15 cm

	I-NOZZLE			O-NOZZLE		
	1,2	1,3	1,4	1,2	1,3	1,4
Standard with RPS multi-purpose cup 0.6 l / 0.9 l (each 1x)						
RP	1096066	1096074	-	1096090	1096082	-
HVLP	1096157	1096149	1096131	1096107	1096115	1096123
Nozzle set						
RP	1096181	1096199	-	1096214	1096206	-
HVLP	1096272	1096264	1096256	1096222	1096230	1096248

Spare parts

SATAjet® X 5500
PHASER

15438	Paint needle packing
86843	Air piston rod
96875	PVC insert for paint spray guns with QCC cup connection
131987	Spare plug-in sieve 200 µm, pastel green (packing unit 100 pieces)
133934	Sealing (packing unit 3 pieces) for spindle
133942	Seal retainer, cpl.
133959	Pressure spring (3 pieces) for paint needle and air piston
133991	Air piston head (packing unit 3 pieces)
140582	Sealing element (packing unit 5 pieces) for fluid tip
211391	Locking screw (packing unit 3 pieces) for air micrometer
211409	CCS-Clips, green, blue, red, black (packing unit 4 pieces)
211508	Sealing ring (packing unit 5 pieces)
213025	Spindle, cpl., for round / flat spray control
1006669	Kit consisting of coloured marking rings (blue, green, black, packing unit each 1 piece)
1006734	Trigger fixing clip
1057323	Tool kit
1092973	Trigger kit
1092981	Air connection piece 1/4" male thread
1092999	Control knob with screw (pack of 2 pieces)
1093004	Material flow control with counter nut
1093012	Air micrometer



Tool kit

- 1057323
- Universal spanner
- Combi tool
- Cleaning brush
- CCS clips
- Paint strainer



1097379
Universal spanner kit (pack of 3 pieces)

Repair kit

1093020
Repair kit

82552
Air piston service unit

136960
Sealing kit

SATAjet® X 5500

RP® /HVLP



Technical data:	RP	HVLP
Inlet pressure	Operating range (Field of application): 0.5 bar – 2.4 bar Compliant: max. 2.0 bar	Operating range (Field of application): 0.5 bar – 2.4 bar Compliant: max. 2.0 bar
Air consumption at 2.0 bar bar	290 NI/min	430 NI/min
Spray distance	Operating range (Field of application): 10 cm – 21 cm Recommended: 17 cm – 21 cm	Operating range (Field of application): 10 cm – 21 cm Recommended: 10 cm – 15 cm

I-NOZZLE

1,1	1,2	1,3	1,4	1,5	1,6
-----	-----	-----	-----	-----	-----

Standard with RPS multi-purpose cup 0.6 l / 0.9 l (each 1x) with swivel joint

RP	1061548	1061556	1061564	1061572	1106534	1106542
HVLP	1061895	1061902	1061887	1061910	1061928	-

DIGITAL with RPS multi-purpose cup 0.6 l / 0.9 l (each 1x) with swivel joint

RP	1061621	1061647	1061697	1061712	-	-
HVLP	1061994	1061879	1062025	1062033	1062067	-

Nozzle set

RP	1063536	1063544	1063552	1063560	1106493	1106526
HVLP	1063619	1063627	1063635	1063651	1063669	-

O-NOZZLE

1,1	1,2	1,3	1,4	1,5	1,6
-----	-----	-----	-----	-----	-----

Standard with RPS multi-purpose cup 0.6 l / 0.9 l (each 1x) with swivel joint

RP	1061580	1061598	1061605	1061613	1106550	1106568
HVLP	1061936	1061944	1061952	1061960	1061978	-

DIGITAL with RPS multi-purpose cup 0.6 l / 0.9 l (each 1x) with swivel joint

RP	1061746	1061788	1061803	1061829	-	-
HVLP	1062075	1062108	1062124	1062158	1062166	-

Nozzle set

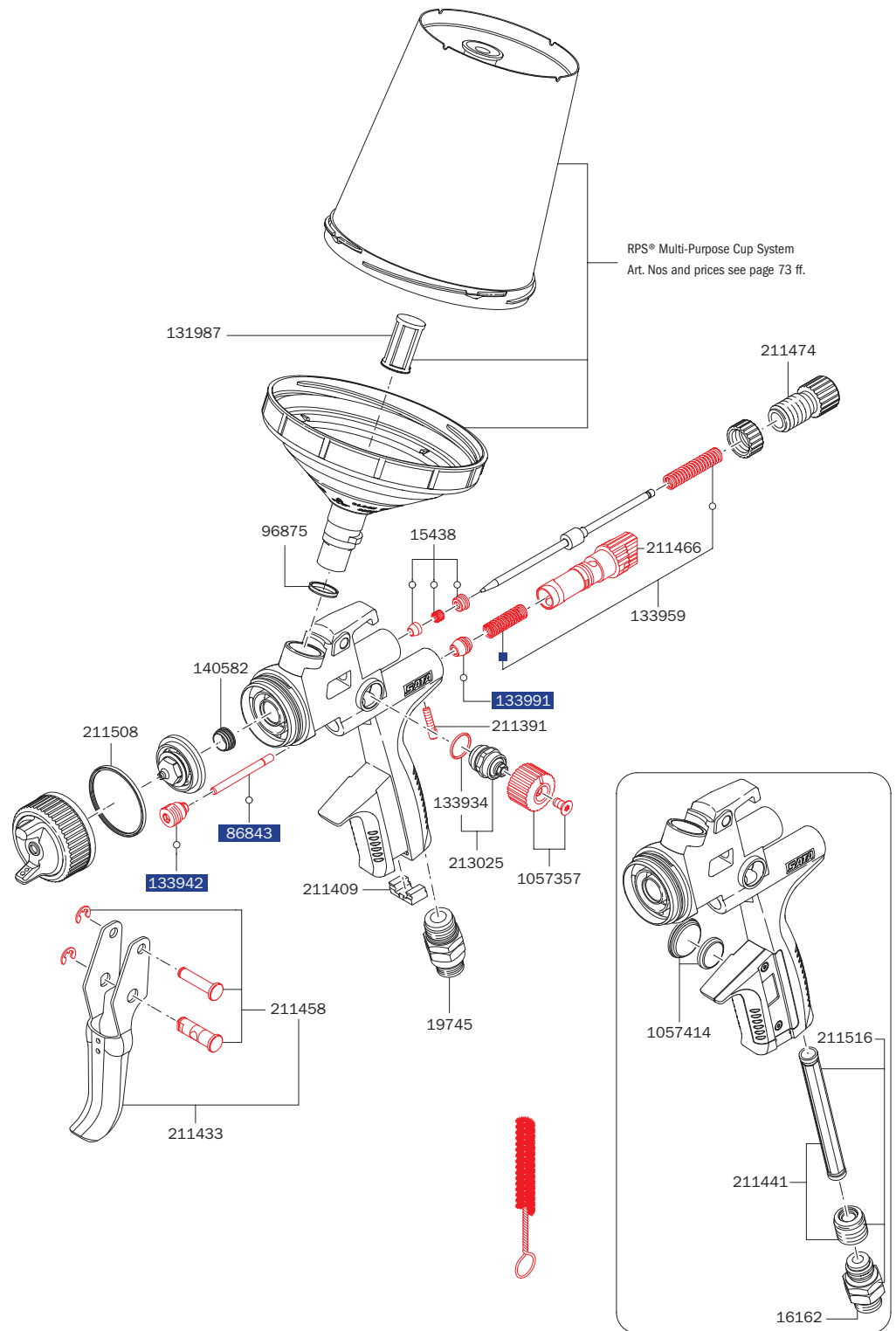
RP	1063578	1063586	1063594	1063601	1106500	1106518
HVLP	1063677	1063685	1063643	1063693	1063700	-



Spare parts

SATAjet® X 5500

15438	Paint needle packing
16162	Swivel joint
19745	Swivel joint
86843	Air piston rod
96875	PVC insert for paint spray guns with QCC cup connection
131987	Spare plug-in sieve 200 µm, pastel green (packing unit 100 pieces)
133934	Sealing (packing unit 3 pieces) for spindle
133942	Seal retainer, cpl.
133959	Pressure spring (3 pieces) for paint needle and air piston
133991	Air piston head (packing unit 3 pieces)
140582	Sealing element (packing unit 5 pieces) for fluid tip
211391	Locking screw (packing unit 3 pieces) for air micrometer
211409	CCS-Clips, green, blue, red, black (packing unit 4 pieces)
211433	Trigger kit
211441	Seal retainer with sleeve
211458	Trigger sleeve kit
211466	Air micrometer
211474	Material flow control with counter nut
211508	Sealing ring (packing unit 5 pieces)
211516	Swivel joint with seal retainer and sleeve
213025	Spindle, cpl., for round / flat spray control
1057323	Tool kit
1057357	Control knob with screw (packing unit 2 pieces)
1057414	Battery kit



Tool kit

- 1057323
- Universal spanner
- Combi tool
- Cleaning brush
- CCS clips
- Paint strainer



1097379
Universal spanner kit (pack of 3 pieces)

Repair kit

- 1047522
Repair kit
- 82552
Air piston service unit
- 136960
Sealing kit

SATAjet® 5000 B

RP® /HVLP



Technical data:	RP	HVLP
Inlet pressure	Operating range (Field of application): 0.5 bar – 2.4 bar Compliant: max. 2.0 bar	Operating range (Field of application): 0.5 bar – 2.4 bar Compliant: max. 2.0 bar
Air consumption at 2.0 bar bar	290 NI/min	430 NI/min
Spray distance	Operating range (Field of application): 10 cm – 21 cm Recommended: 17 cm – 21 cm	Operating range (Field of application): 10 cm – 21 cm Recommended: 10 cm – 15 cm

1,0	1,1	1,2	1,2 W	WSB	1,3	1,3 cc	1,4
-----	-----	-----	-------	-----	-----	--------	-----

Standard with RPS multi-purpose cup 0.3 l / 6 l / 0.9 l (each 1x) with swivel joint

RP	1117523	215640	209775	209783	-	209791	1005075	209809
HVLP	210732	-	210559	-	210567	210575	-	210591

Nozzle set

RP	210245	210252	210260	210278	-	210286	1002104	210294
HVLP	210955	-	210963	-	210971	210989	-	211011

1,5	1,6	1,7	1,8	1,9	2,0	2,2	2,5
-----	-----	-----	-----	-----	-----	-----	-----

Standard with RPS multi-purpose cup 0.3 l / 6 l / 0.9 l (each 1x) with swivel joint

RP	-	209890	-	209908	-	209916	-	1117531
HVLP	210609	-	210831	-	210849	-	210856	-

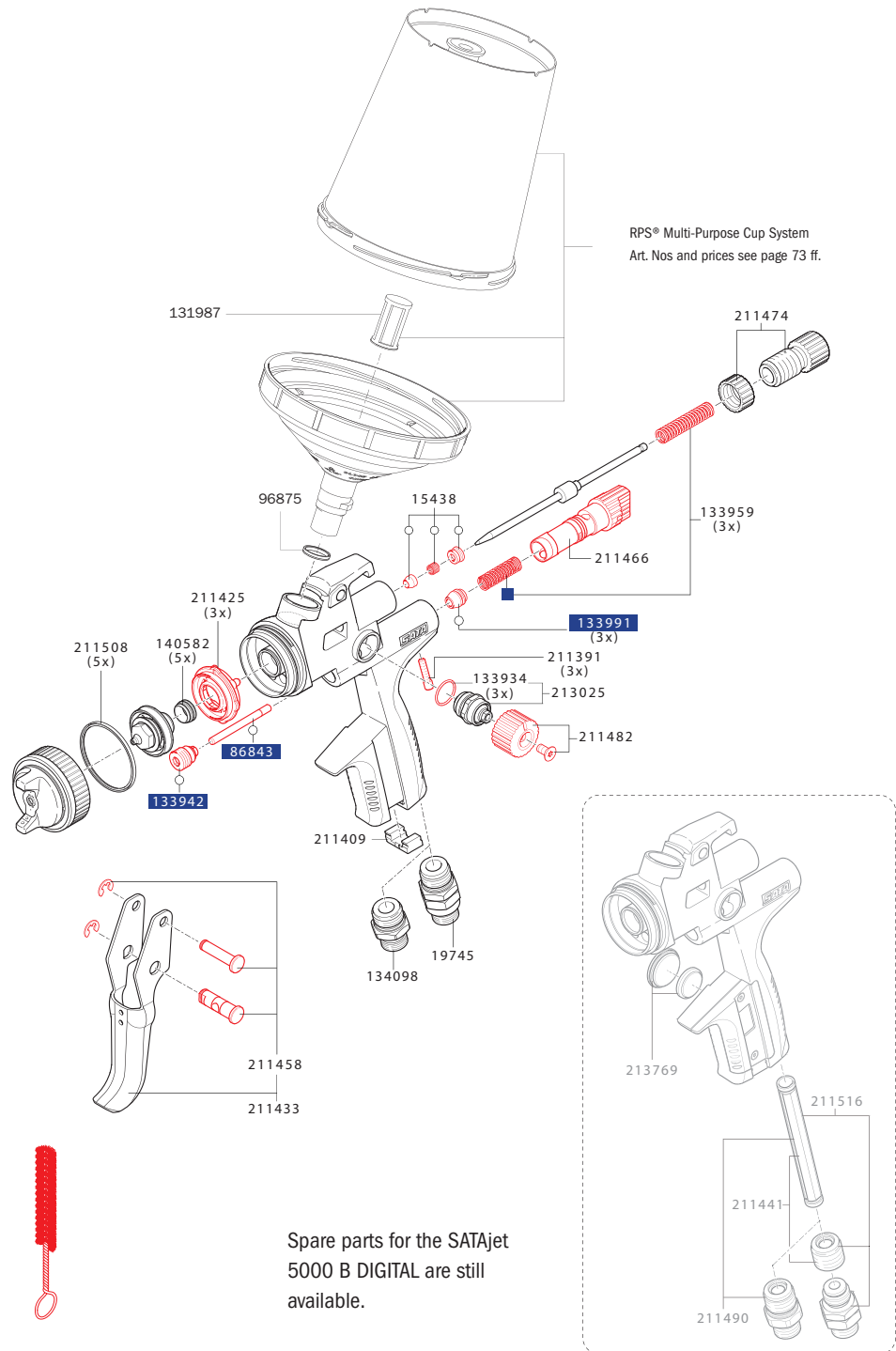
Nozzle set

RP	-	210302	-	210310	-	210328	-	210336
HVLP	211045	-	211052	-	211060	-	211078	-

Spare parts

SATAjet® 5000 B

131987	Spare plug-in sieve 200 µm, pastel green (packing unit 100 pieces)
15438	Paint needle packing
19745	Swivel joint
86843	Air piston rod
96875	PVC insert for paint spray guns with QCC cup connection
133934	Sealing (packing unit 3 pieces) for spindle
133942	Seal retainer, cpl.
133959	Pressure spring (3 pieces) for paint needle and air piston
133991	Air piston head (packing unit 3 pieces)
134098	Air connection piece 1/4" (male thread)
140582	Sealing element (packing unit 5 pieces) for fluid tip
211391	Locking screw (packing unit 3 pieces) for air micrometer
211409	CCS-Clips, green, blue, red, black (packing unit 4 pieces)
211425	Air distribution ring (packing unit 3 pieces)
211433	Trigger kit
211441	Seal retainer with sleeve
211458	Trigger sleeve kit
211466	Air micrometer
211474	Material flow control with counter nut
211482	Control knob with screw (each 2 pieces)
211490	Air connection with sleeve
211508	Sealing ring (packing unit 5 pieces)
211516	Swivel joint with seal retainer and sleeve
213025	Spindle, cpl., for round / flat spray control
213769	Battery kit



Spare parts for the SATAjet 5000 B DIGITAL are still available.

Tool kit

- 211524
- Universal spanner
- Combi tool
- Cleaning brush
- CCS clips
- Paint strainer
- Extraction tool



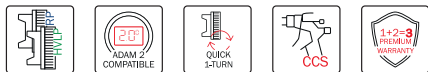
1097379
Universal spanner kit (pack of 3 pieces)

Repair kit

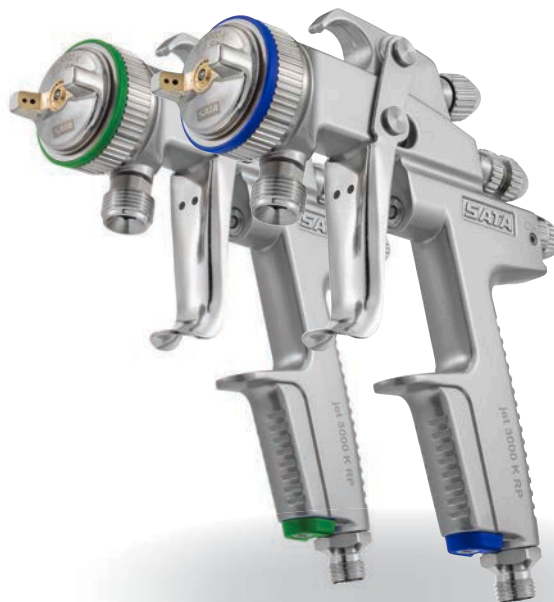
- 1047522
Repair kit
- 82552
Air piston service unit
- 136960
Sealing kit

SATAjet® 3000 K

RP® /HVLP



Technical data:	RP	HVLP
Inlet pressure	2.5 bar - 3.0 bar	2.5 bar
Air consumption at 2.5 bar bar	430 NI/min	560 NI/min
Spray distance:	17 cm - 21 cm	10 cm - 15 cm
Material connection:	3/8" male thread	



0,8	1,0	1,1	1,2	1,3	1,4	1,5	1,6	1,7	2,0
-----	-----	-----	-----	-----	-----	-----	-----	-----	-----

Spray gun

RP	92932	-	93336	-	93344	-	93351	-	93369	93377
HVLP	93385	92924	-	93393	-	193656	-	96164	-	96172

Nozzle set

RP	92494	-	92502	-	92510	-	92528	-	95422	95356
HVLP	92783	92791	-	92809	-	191379	-	92817	-	92825

Required accessories for SATA pressure fed spray guns

92031

SATA paint tube G 3/8" (female thread) - 3/8" (male thread) for SATA pressure fed spray guns



38265

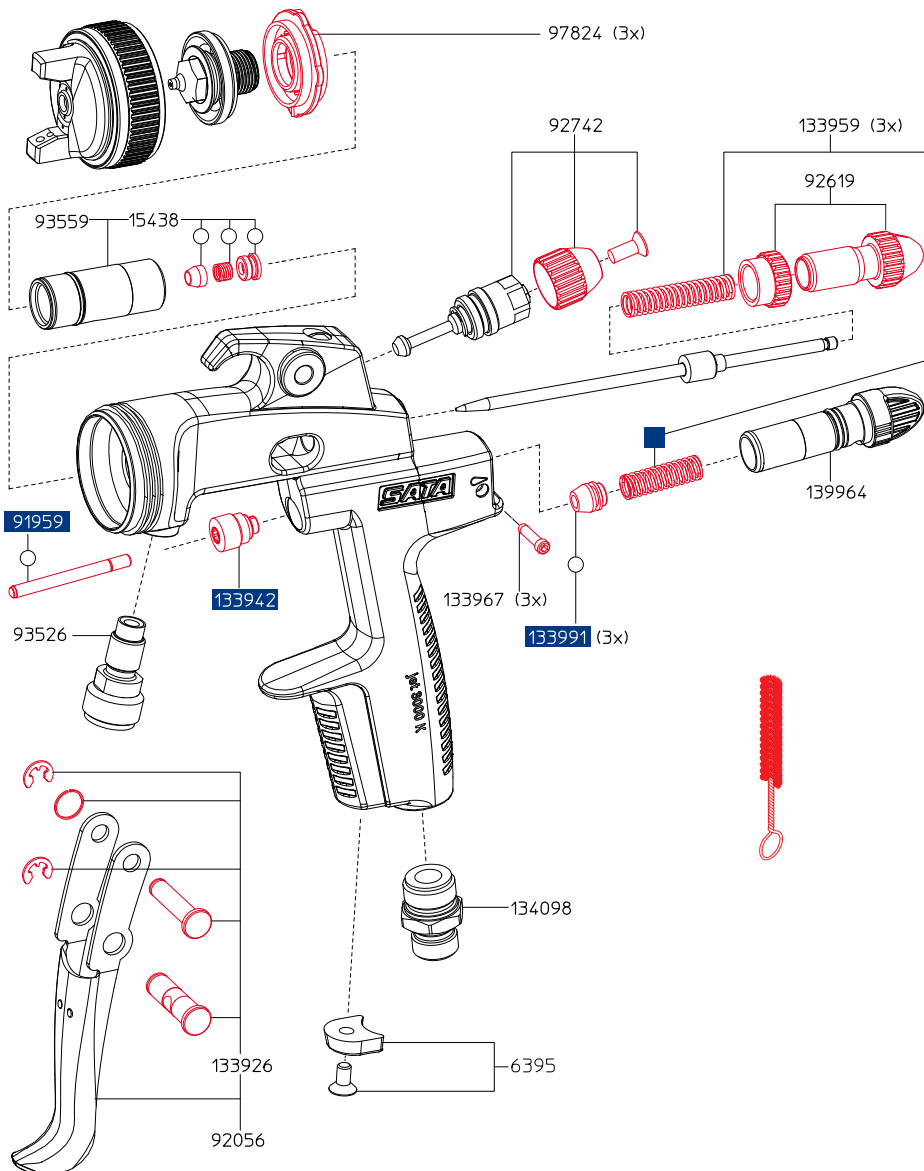
SATA paint strainer 60 msh, G 3/8" (female thread) and 3/8" (male thread) for SATA pressure fed spray gun except for SATAmijet

- ▶ **Upon request:** spray guns and nozzle sets with surface treatment for increased lifetime of the fluid tip and paint needle.
- ▶ Further accessories as well as material and air connections see pages 54 and 68|69.

Spare parts

SATAjet® 3000 K

6395	CCS Clips, green, blue, red, black packing unit 4 pieces)
15438	Paint needle packing
91959	Air piston rod
92056	Trigger kit
92619	Material flow control with counter nut
92742	Round/flat spray control
93526	Material connection, stainless steel
93559	Insert, stainless steel
97824	Air distribution ring (3 pieces)
133926	Trigger sleeve kit
133942	Seal retainer, cpl.
133959	Pressure spring (3 pieces) for paint needle and air piston
133967	Adjustment screw (packing unit 3 pieces) for air micrometer
133991	Air piston head (packing unit 3 pieces)
134098	Air connection piece 1/4" (male thread)
139964	Air micrometer



Tool kit

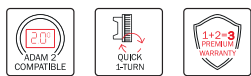
- 9050
- Extraction tool
- Paint strainer
- Cleaning brush
- Allen wrench 2 mm width
- Allen wrench 4 mm width
- Universal spanner



Repair kit

- 92767
Repair kit
- 92759
Air piston service unit
- 183780
Sealing kit

SATAjet® 4800 K spray mix

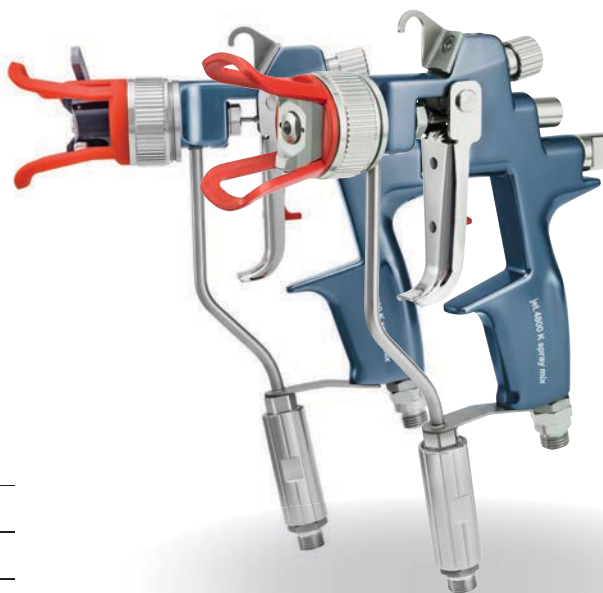
**Technical data:**

Max. operating pressure 10.0 bar

atomisation air:

Max. operating pressure material: 250.0 bar

Weight incl. material filter: 760 g

**Spray mix gun**

1006354

SATAjet 4800 K spray mix with paint tube, strainer 100 msh, material and air swivel joint, without paint nozzle

Spray mix spray gun with inversion switch

1006346

SATAjet 4800 K spray mix with paint strainer 100 msh, material and air swivel joint, inversion switch without inversion nozzle

207530

Retrofit kit, inversion switch without inversion nozzle for SATAjet 4800 K spray mix / 3000 K spray mix

Nozzle No.	Art. No.	ø mm	ø inch	Angle	Width	l/min at 70 bar	Strainer
Fluid tip							
1840	23044	0,18	0,007	40°	18	0,16	200 msh 85 µm 74856 Set of four pcs.
2325	7328	0,23	0,009	25°	14	0,23	
2350	7435	0,23	0,009	50°	22	0,23	
2360	74922	0,23	0,009	60°	24	0,23	
2825	16998	0,28	0,011	25°	14	0,30	
2850	50906	0,28	0,011	50°	22	0,30	
2865	13771	0,28	0,011	65°	26	0,30	100 msh 150 µm 12278 Set of four pcs.
3325	20206	0,33	0,013	25°	14	0,45	
3350	50898	0,33	0,013	50°	23	0,45	
3365	13789	0,33	0,013	65°	28	0,45	
3375	74930	0,33	0,013	75°	32	0,45	
3390	73742	0,33	0,013	90°	40	0,45	
3825	13797	0,38	0,015	25°	15	0,61	60 msh 250 µm 12260 Set of four pcs.
3850	7344	0,38	0,015	50°	25	0,61	
3882	74948	0,38	0,015	82°	34	0,61	
4650	19307	0,46	0,018	50°	25	0,95	
4682	74955	0,46	0,018	82°	35	0,95	
5370	150276	0,53	0,021	70°	33	1,28	
6050	17004	0,60	0,024	50°	31	1,59	

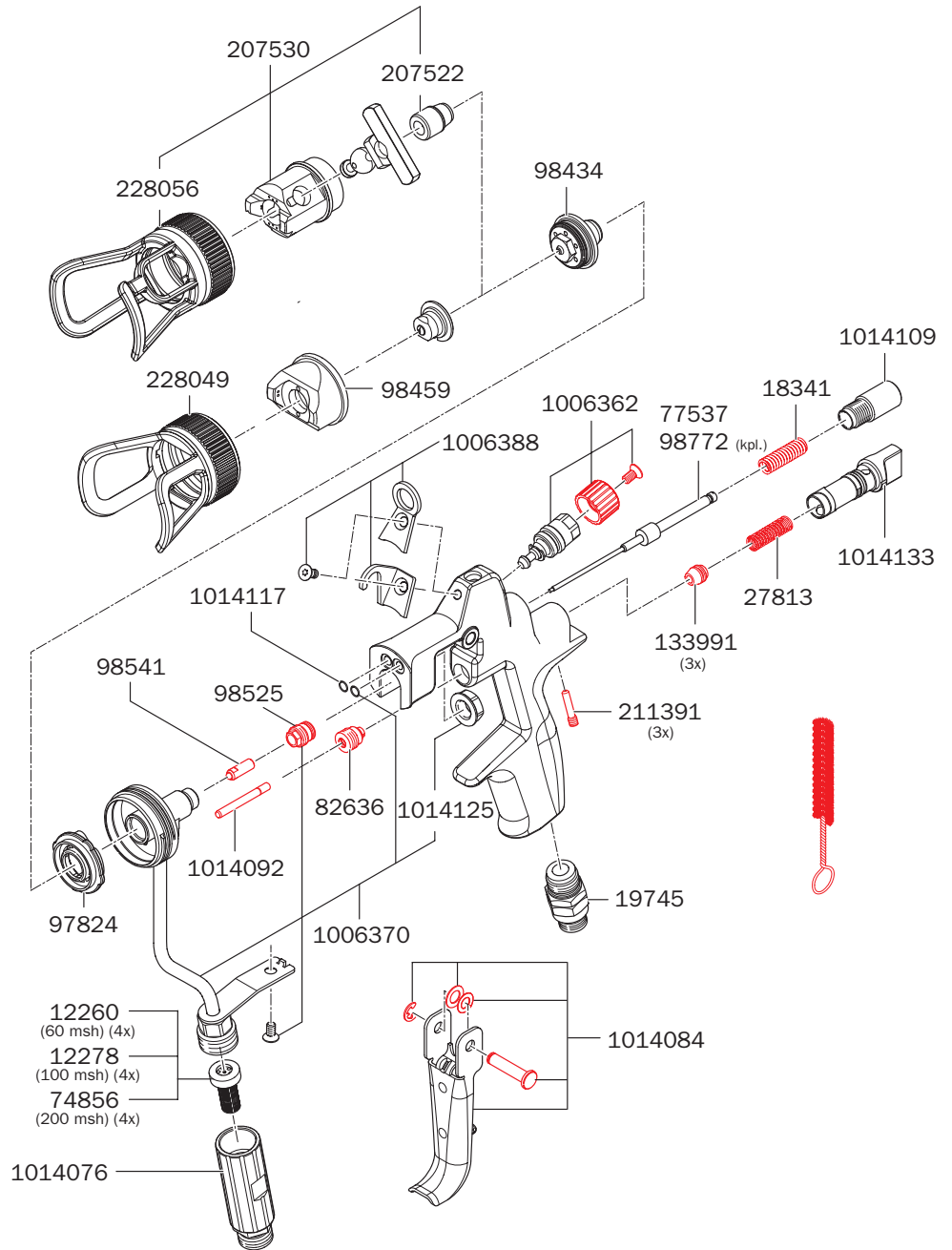
Inversion nozzle for inversion switch

2550	207548	0,25	0,010	20°/50°	14/22	0,25	200 msh 85 µm	74856 Set of four pcs.
3050	207555	0,30	0,012	20°/50°	14/22	0,38	100 msh	12278
3550	207563	0,35	0,014	20°/50°	14/24	0,50	150 µm	Set of four pcs.
4050	207571	0,40	0,016	20°/50°	14/25	0,70		

► Hose pairs see pages 138|139. / Further accessories as well as material and air connections see pages 54 and 68|69.

Spare Parts
SATAjet® 4800 K
spray mix

12260	Sieve 60 msh (packing unit 4 pieces)
12278	Sieve, 100 msh (packing unit 4 pieces)
18341	Pressure spring for paint needle
19745	Swivel joint
27813	Spring for air piston of SATA spray guns except for SATA minijet
74856	Strainer kit: Sieve 200 msh (4 pcs.) strainer holder (2 pcs.), screw (1 pcs.)
77537	Paint needle SATAjet 4800 K spray mix, 3000 K spray mix, jet K3 spray mix without needle tip
82636	Seal retainer, cpl.
97824	Air distribution ring (3 pieces)
98434	Pre-nozzle, cpl. SATA jetK3 Spray mix
98459	Air cap round/flat spray fan
98525	Seal retainer, cpl.
98541	Carbide needle tip
98772	Paint needle with carbide needle tip, cpl.
133991	Air piston head (packing unit 3 pieces)
207522	Gasket unit inversion switch
207530	Retrofit kit, inversion switch without inversion nozzle
211391	Locking screw (packing unit 3 pieces) for air micrometer
228049	Air cap ring with protection against accidental contact
228056	Air cap ring with protection against accidental contact
1006362	Round/Flat spray control, cpl.
1006370	Nozzle head and material supply cpl., without filter adapter and swivel joint
1006388	Kit, consisting of gun suspension hook, suspension eye and countersunk screw, each 1 piece
1014076	Material filter housing, cpl. with swivel joint
1014084	Trigger kit
1014092	Air piston rod
1014109	Locking screw
1014117	O-ring nozzle head (packing unit 10 pieces)
1014125	Nozzle head nut
1014133	Air micrometer, cpl.



Tool kit

- 1006966
- Universal spanner
- Cleaning brush
- Extraction tool



Repair kit

- 1006940
- Repair kit

- 30833
- Nozzle cleaning kit
- (not shown on exploded view)

SATAjet® 3000 K spray mix

**Technical data:**

Max. operating pressure 10.0 bar

atomisation air:

Max. operating pressure material: 250.0 bar

Weight incl. material filter: 650 g

**Spray mix gun**

120006

SATAjet 3000 K spray mix with paint tube, strainer 100 msh, without paint nozzle

Spray mix spray gun with inversion switch

120014

SATAjet 3000 K spray mix with paint tube, strainer 100 msh, inversion switch, without inversion nozzle

207530

Retrofit kit, inversion switch without inversion nozzle for SATAjet 4800 K spray mix / 3000 K spray mix

Nozzle No.	Art. No.	ø mm	ø inch	Angle	Width	l/min at 70 bar	Strainer	
Fluid tip								
1840	23044	0,18	0,007	40°	18	0,16	200 msh 85 µm	74856 Set of four pcs.
2325	7328	0,23	0,009	25°	14	0,23		
2350	7435	0,23	0,009	50°	22	0,23		
2360	74922	0,23	0,009	60°	24	0,23		
2825	16998	0,28	0,011	25°	14	0,30		
2850	50906	0,28	0,011	50°	22	0,30		
2865	13771	0,28	0,011	65°	26	0,30	100 msh 150 µm	12278 Set of four pcs.
3325	20206	0,33	0,013	25°	14	0,45		
3350	50898	0,33	0,013	50°	23	0,45		
3365	13789	0,33	0,013	65°	28	0,45		
3375	74930	0,33	0,013	75°	32	0,45		
3390	73742	0,33	0,013	90°	40	0,45		
3825	13797	0,38	0,015	25°	15	0,61	60 msh 250 µm	12260 Set of four pcs.
3850	7344	0,38	0,015	50°	25	0,61		
3882	74948	0,38	0,015	82°	34	0,61		
4650	19307	0,46	0,018	50°	25	0,95		
4682	74955	0,46	0,018	82°	35	0,95		
5370	150276	0,53	0,021	70°	33	1,28		
6050	17004	0,60	0,024	50°	31	1,59		

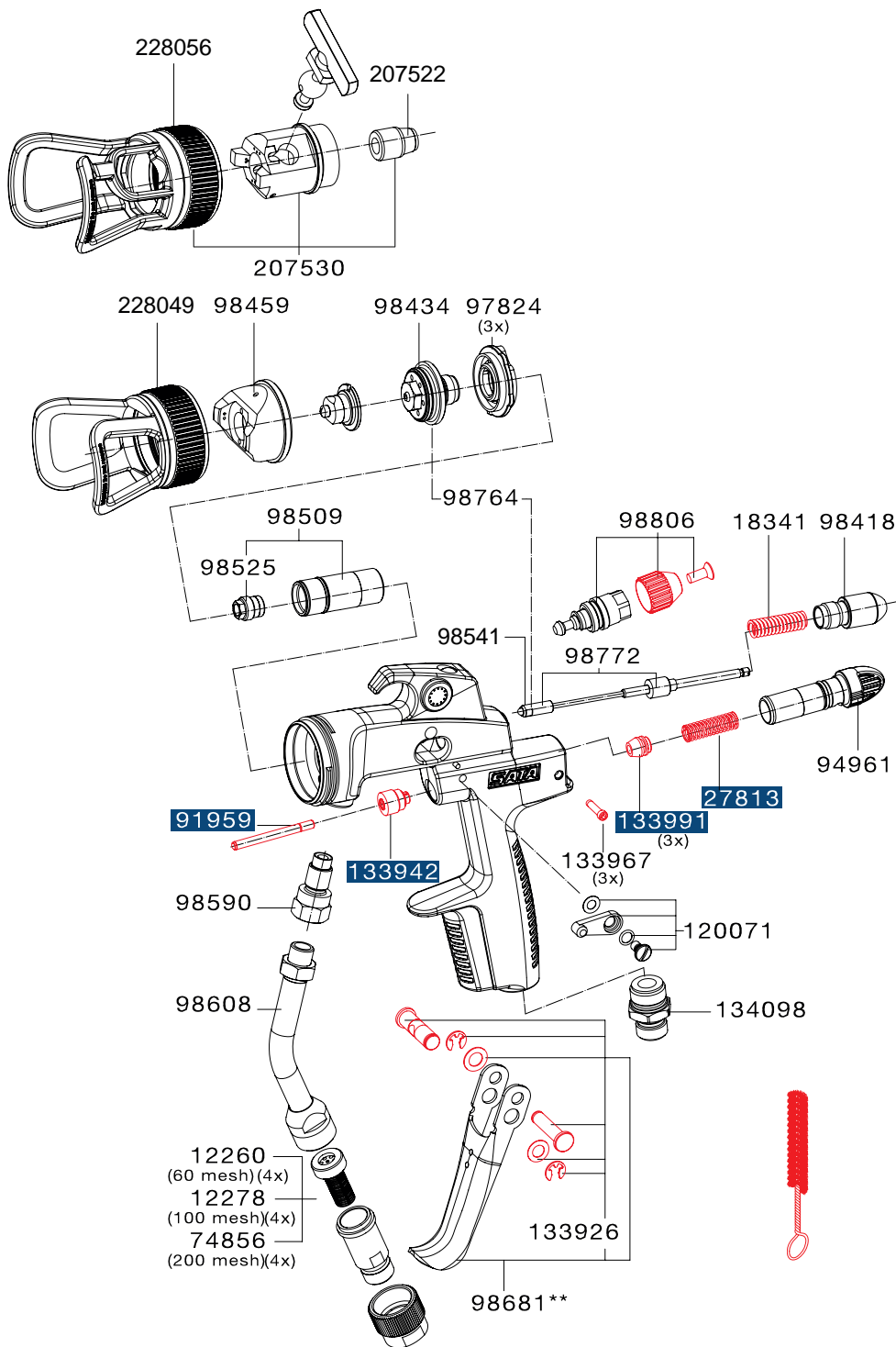
Inversion nozzle for inversion switch

2550	207548	0,25	0,010	20°/50°	14/22	0,25	200 msh 85 µm	74856 Set of four pcs.
3050	207555	0,30	0,012	20°/50°	14/22	0,38	100 msh 150 µm	12278 Set of four pcs.
3550	207563	0,35	0,014	20°/50°	14/24	0,50	150 µm	12278 Set of four pcs.
4050	207571	0,40	0,016	20°/50°	14/25	0,70		

► Hose pairs see pages 138|139. / Further accessories as well as material and air connections see pages 54 and 68|69.

Spare Parts
SATAjet® 3000 K
spray mix

12260	Sieve 60 msh (packing unit 4 pieces)
12278	Sieve, 100 msh (packing unit 4 pieces)
18341	Pressure spring for paint needle
27813	Spring for air piston of SATA spray guns except for SATA minijet
74856	Strainer kit: Sieve 200 msh (4 pcs.), strainer holder (2 pcs.), screw (1 pcs.)
91959	Air piston rod
94961	Air micrometer
97824	Air distribution ring (3 pieces)
98418	Closing screw
98434	Pre-nozzle, cpl. SATA jetK3 Spray mix
98459	Air cap round/flat spray fan
98509	Insert with seal retainer
98525	Seal retainer, cpl.
98541	Carbide needle tip
98590	Material connection
98608	Paint tube with strainer 100 msh
98681	Trigger kit
98764	Nozzle set SATAjet 4800 K spray mix / 3000 K spray mix, consisting of pre-nozzle and needle tip
98772	Paint needle with carbide needle tip, cpl.
98806	Round/flat spray control SATAjet K3 spray mix, jet 3000 K spray mix
120071	Trigger block, cpl.
133926	Trigger sleeve kit
133942	Seal retainer, cpl.
133967	Adjustment screw (packing unit 3 pieces) for air micrometer
133991	Air piston head (packing unit 3 pieces)
134098	Air connection piece 1/4" (male thread)
207522	Gasket unit inversion switch
207530	Retrofit kit, inversion switch without inversion nozzle
228049	Air cap ring with protection against accidental contact
228056	Air cap ring with protection against accidental contact



Tool kit

- 1006966
- Universal spanner
- Cleaning brush
- Extraction tool



Repair kit

- 98707
- Repair kit
- 92759
- Air piston service unit
- 30833
- Nozzle cleaning kit (not shown on exploded view)

All prices are recommended list prices. Errors, technical modifications and printing errors reserved.

SATAjet 1000 B

The multi-talent!

The allround spray guns
for craft and industry



SATAjet® 1000 B

RP® /HVLP



Technical data:	RP	HVLP
Inlet pressure	1.5 bar - 2.0 bar	2.0 bar
Air consumption at 2.0 bar bar	275 NI/min	350 NI/min
Spray distance	17 cm - 21 cm	13 cm - 17 cm

	0,8	1,0	1,3	1,4	1,6	1,7	1,8
Spray gun with 0.6 l QCC reusable plastic gravity flow cup without swivel joint							
RP	151183	151191	149302	-	149310	-	150391
HVLP	-	-	-	149377	-	149385	-
Spray gun with 0.6 l QCC reusable PVC gravity flow cup with swivel joint							
RP	157875	157883	157891	-	157909	-	157917
HVLP	-	-	-	157966	-	157974	-
Spray gun with 0.75 l QCC reusable aluminium gravity flow cup without swivel joint							
RP	151225	151233	150342	-	149344	-	150409
HVLP	-	-	-	149419	-	149427	-
Nozzle set							
RP	151316	151324	149161	-	149179	-	150417
HVLP	-	-	-	149195	-	149203	-

▶ For more versions see the next page.

	1,9	2,0	2,1	2,5	3,0	4,0	5,0
Spray gun with 0.6 l QCC reusable plastic gravity flow cup without swivel joint							
RP	-	149328	-	151209	151217	-	-
RP	-	-	-	-	-	154161	-
RP	HIGH-VISCOSITY >			1003194	1003201	-	-
HVLP	149393	-	149401	-	-	-	-
Spray gun with 0.6 l QCC reusable PVC gravity flow cup with swivel joint							
RP	-	157925	-	157933	157941	-	-
RP	-	-	-	-	-	157958	-
RP	HIGH-VISCOSITY >			1003235	1003243	-	-
HVLP	157982		157990				
Spray gun with 0.75 l QCC reusable aluminium gravity flow cup without swivel joint							
RP	-	149351	-	151241	151258	-	-
RP	-	-	-	-	-	154179	-
RP	HIGH-VISCOSITY >			1003219	1003227	-	-
HVLP	149435	-	149443	-	-	-	-
Nozzle set							
RP	-	149187	-	151332	151340	-	-
RP	-	-	-	-	-	154187	154195
RP	HIGH-VISCOSITY >			222372	222380	-	-
HVLP	149211	-	149229	-	-	-	-

SATAjet 1000 B RP for glue applications

- 164962
SATAjet 1000 B RP nozzle 1.6 D twisted round spray 0.6 l QCC reusable plastic cup
- 164970
Nozzle set SATAjet 1000 B RP 1.6 twisted round spray
- 214320
SATAjet 1000 B RP nozzle 1.3 DA pressurised cup spray gun for dispersion glues, incl. SATA BVD add-on kit
- 214338
Nozzle set SATAjet 1000 B RP 1.3 DA for dispersion glues

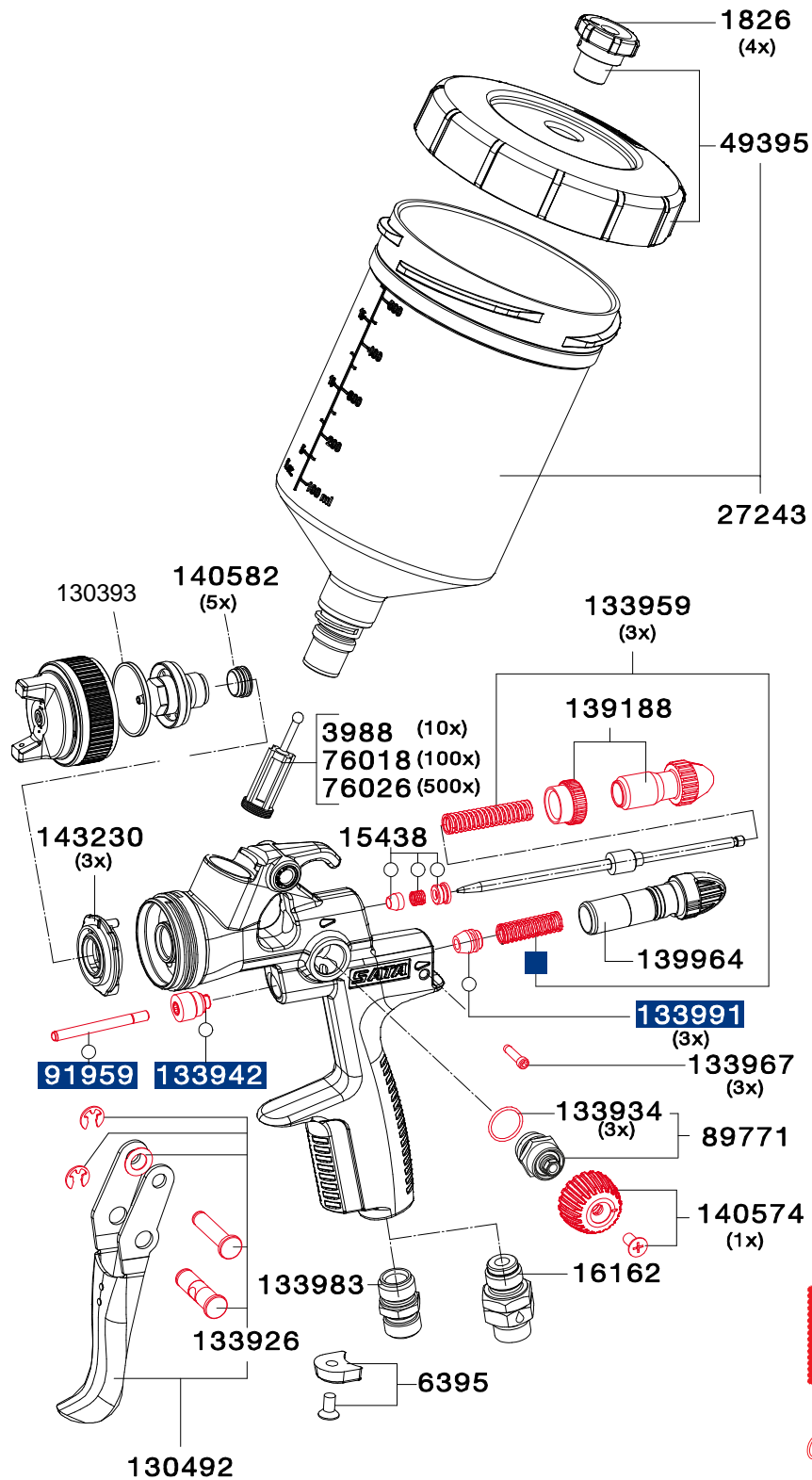
▣ Extensions see page 52.



Spare parts

SATAjet® 1000 B

1826	Anti-drip device (packing unit 4 pieces)
3988	Paint strainer, 300 µm (packing unit 10 pieces)
6395	CCS Clips, green, blue, red, black packing unit 4 pieces)
15438	Paint needle packing
16162	Swivel joint
27243	Reusable plastic cup, 0.6 l with QCC without fine thread
49395	Screw-on lid for 0.6 l PVC cup with drip-catching ring and non-drip device
76018	Paint strainer, 300 µm (packing unit 100 pieces)
76026	Paint strainer, 300 µm (packing unit 500 pieces)
89771	Spindle, cpl., f. round / flat spray control SATAjet 2000 HVLP
91959	Air piston rod
130393	Sealing ring for air cap ring SATAjet 100 and 1000
130492	Trigger kit
133926	Trigger sleeve kit
133934	Sealing (packing unit 3 pieces) for spindle
133942	Seal retainer, cpl.
133959	Pressure spring (3 pieces) for paint needle and air piston
133967	Adjustment screw (packing unit 3 pieces) for air micrometer
133983	Air connection piece 1/4" male thread
133991	Air piston head (packing unit 3 pieces)
139188	Material flow control with counter nut
139964	Air micrometer
140574	Control knob with screw
140582	Sealing element (packing unit 5 pieces) for fluid tip
143230	Air distribution ring (packing unit 3 pieces)



Tool kit

- 9050
- Extraction tool
- Paint strainer
- Cleaning brush
- Allen wrench 2 mm width
- Allen wrench 4 mm width
- Universal spanner



1097379
Universal spanner kit (pack of 3 pieces)

Repair kit

- 130542
Repair kit
- 92759
Air piston service unit
- 183780
Sealing kit

SATAjet® 1000 B

Lignum 2

RP® /HVLP



Technical data:

	RP	HVLP
Inlet pressure	1.5 bar - 2.0 bar	2.0 bar

Air consumption at 2.0 bar bar	275 NI/min	350 NI/min
Spray distance	17 cm - 21 cm	13 cm - 17 cm

0,8	1,0	1,3	1,4	1,6	1,7	1,8
-----	-----	-----	-----	-----	-----	-----

Spray gun with 0.6 l QCC reusable PVC gravity flow cup with swivel joint

RP	-	-	190157	-	190165	-	190173
HVLP	-	-	-	190124	-	190132	-

Nozzle set

RP	151316	151324	149161	-	149179	-	150417
HVLP	-	-	-	149195	-	149203	-

1,9	2,0	2,1	2,5	3,0	4,0	5,0
-----	-----	-----	-----	-----	-----	-----

Spray gun with 0.6 l QCC reusable plastic gravity flow cup without swivel joint

RP	-	190181	-	197665	-	-	-
HVLP	190140	-	-	-	-	-	-

Nozzle set

RP	-	149187	-	151332	151340	-	-
RP	-	-	-	-	-	154187	154195
RP	HIGH-VISCOSITY >			222372	222380	-	-
HVLP	-	-	-	149195	-	149203	-

Available versions

25775
SATA BVD conversion kit with QCC without fine thread



29926
SATA agitator cup, conversion kit

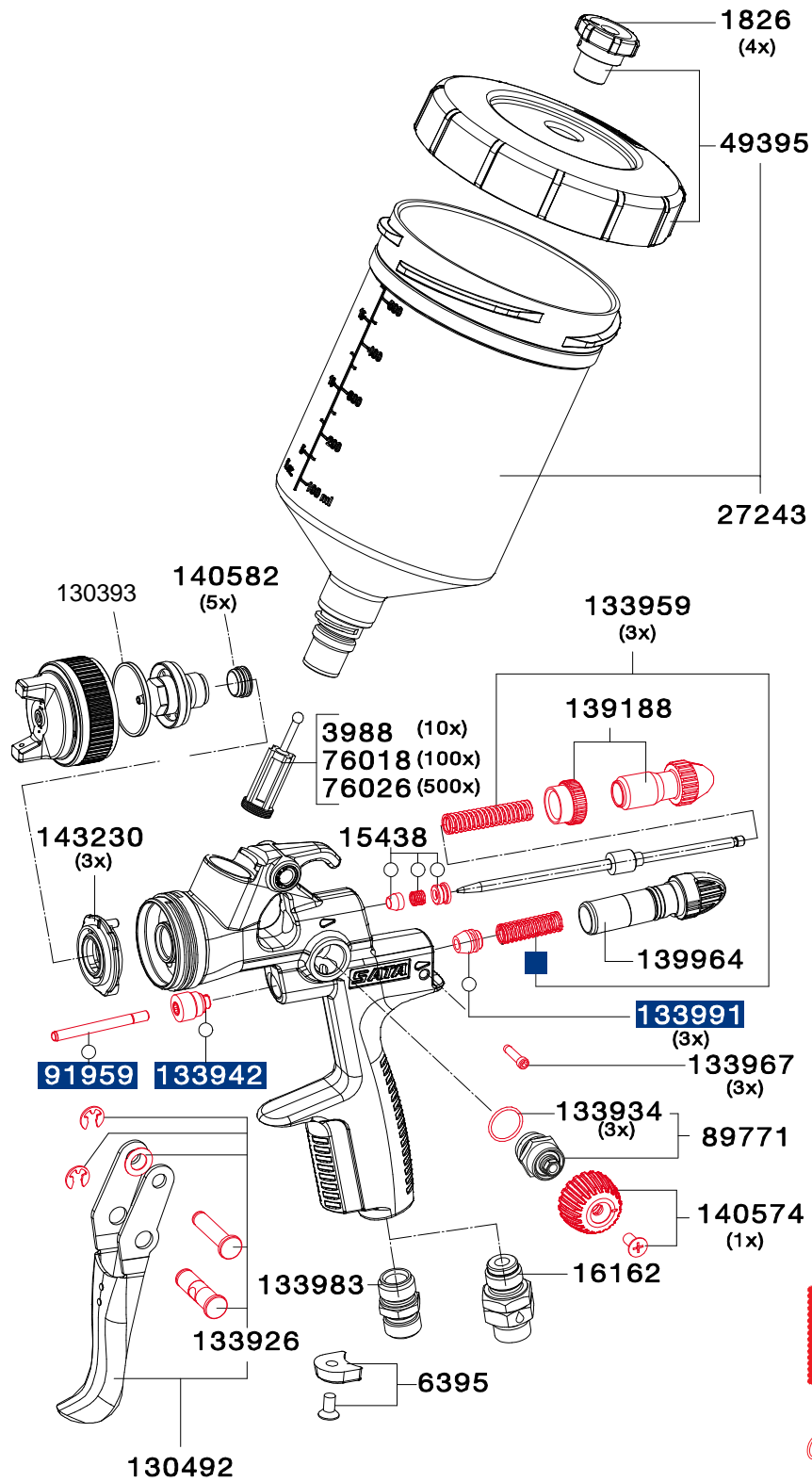


► Extensions see page 52.

Spare parts

**SATAjet® 1000 B
LIGNUM 2**

1826	Anti-drip device (packing unit 4 pieces)
3988	Paint strainer, 300 µm (packing unit 10 pieces)
6395	CCS Clips, green, blue, red, black packing unit 4 pieces)
15438	Paint needle packing
16162	Swivel joint
27243	Reusable plastic cup, 0.6 l with QCC without fine thread
49395	Screw-on lid for 0.6 l PVC cup with drip-catching ring and non-drip device
76018	Paint strainer, 300 µm (packing unit 100 pieces)
76026	Paint strainer, 300 µm (packing unit 500 pieces)
89771	Spindle, cpl., f. round / flat spray control SATAjet 2000 HVL
91959	Air piston rod
130393	Sealing ring for air cap ring SATAjet 100 and 1000
130492	Trigger kit
133926	Trigger sleeve kit
133934	Sealing (packing unit 3 pieces) for spindle
133942	Seal retainer, cpl.
133959	Pressure spring (3 pieces) for paint needle and air piston
133967	Adjustment screw (packing unit 3 pieces) for air micrometer
133983	Air connection piece 1/4" male thread
133991	Air piston head (packing unit 3 pieces)
139188	Material flow control with counter nut
139964	Air micrometer
140574	Control knob with screw
140582	Sealing element (packing unit 5 pieces) for fluid tip
143230	Air distribution ring (packing unit 3 pieces)



Tool kit

- 9050
- Extraction tool
- Paint strainer
- Cleaning brush
- Allen wrench 2 mm width
- Allen wrench 4 mm width
- Universal spanner



1097379
Universal spanner kit (pack of 3 pieces)

Repair kit

- 130542
Repair kit
- 92759
Air piston service unit
- 183780
Sealing kit

SPRAY GUNS

CUP SYSTEMS

BREATHING PROTECTION

FILTER TECHNOLOGY

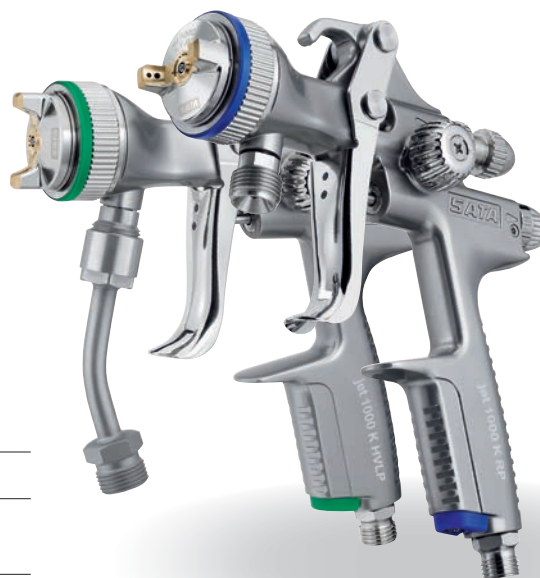
ACCESSORIES

MERCHANDISE ITEMS



SATAjet® 1000 K

RP® /HVLP



Technical data:	RP	HVLP
Inlet pressure	2.5 bar	2.5 bar
Air consumption at 2.5 bar bar	410 NI/min	530 NI/min
Spray distance	17 cm - 21 cm	10 cm - 15 cm
Material connection	3/8" male thread	

	0,8	1,0	1,1	1,2	1,3	1,4	1,5
--	-----	-----	-----	-----	-----	-----	-----

Spray gun

RP	132092	-	132100	-	132118	-	132126
HVLP	139196	139204	-	139212	-	193664	-

Spray gun with lifetime prolonging surface on fluid tip and paint needle

RP	141903	-	141911	-	141929	-	141937
HVLP	141960	141978	-	141986	-	-	-

Nozzle set

RP	132159	-	132167	-	132175	-	132183
HVLP	139253	139261	-	139279	-	191387	-

Nozzle set with lifetime prolonging surface of fluid tip and paint needle

RP	141648	-	141655	-	141663	-	141689
HVLP	141762	141770	-	141804	-	-	-

► For more versions see the next page.

SATA PRICE LIST 2021

1,6	1,7	2,0	2,5	3,0	4,0	5,0
-----	-----	-----	-----	-----	-----	-----

Spray gun

RP	-	132134	132142	153486	153494		
RP						154336	-
HVLP	139220	-	139238	-	-	-	-

Spray gun with lifetime prolonging surface on fluid tip and paint needle

RP	-	141945	141952	-	-	-	-
HVLP	142000	-	142018	-	-	-	-

Spray gun with slit nozzle

RP	-	-	-	154344	154351	154369	-
----	---	---	---	--------	--------	--------	---

Nozzle set

RP	-	132191	132209	153528	153536		
RP						154377	154385
HVLP	139287	-	139295	-	-	-	-

Nozzle set with lifetime prolonging surface of fluid tip and paint needle

RP	-	141697	141705	159442	-	-	-
HVLP	141812	-	141838	-	-	-	-

Slit nozzle set

RP				154393	154401	154419	-
----	--	--	--	--------	--------	--------	---

SATAjet 1000 K RP for adhesive applications

161232

SATAjet 1000 K RP nozzle 1.6 D twisted round spray, material connection 3/8" (male thread)

159707

Nozzle set SATAjet 1000 K RP 1.6 twisted round spray

211979

SATAjet 1000 K RP nozzle 1.3 DA for dispersion adhesives, material connection 3/8" (male thread)

211961

Nozzle set SATAjet 1000 K RP 1.3 DA, for dispersion adhesives

Required accessories for SATA pressure fed spray guns

92031

SATA paint tube G 3/8" (female thread) - 3/8" (male thread) for SATA pressure fed spray guns

38265

SATA paint strainer 60 msh, G 3/8" (female thread) and 3/8" (male thread) for SATA pressure fed spray gun except for SATAminijet

SPRAY GUNS

CUP SYSTEMS

BREATHING PROTECTION

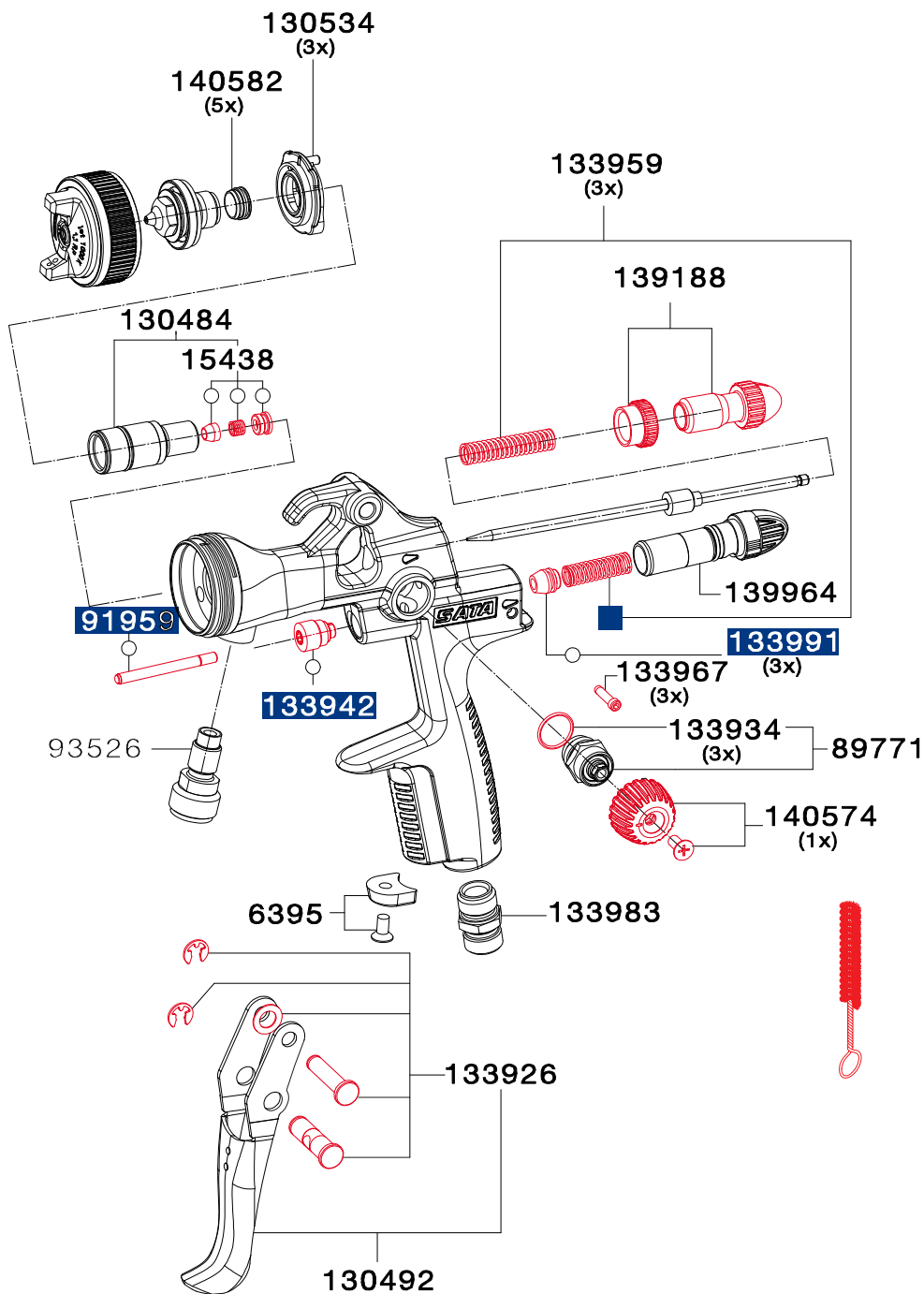
FILTER TECHNOLOGY

ACCESSORIES

MERCHANDISE ITEMS

Spare parts
SATAjet® 1000 K

6395	CCS Clips, green, blue, red, black packing unit 4 pieces)
15438	Paint needle packing
89771	Spindle, cpl., f. round / flat spray control SATAjet 2000 HVLP
91959	Air piston rod
93526	Material connection, stainless steel
130484	Insert, cpl.
130492	Trigger kit
130534	Air distribution ring (packing unit 3 pieces)
133926	Trigger sleeve kit
133934	Sealing (packing unit 3 pieces) for spindle
133942	Seal retainer, cpl.
133959	Pressure spring (3 pieces) for paint needle and air piston
133967	Adjustment screw (packing unit 3 pieces) for air micrometer
133983	Air connection piece 1/4" male thread
133991	Air piston head (packing unit 3 pieces)
139188	Material flow control with counter nut
139964	Air micrometer
140574	Control knob with screw
140582	Sealing element (packing unit 5 pieces) for fluid tip



Tool kit

- 9050
- Extraction tool
- Paint strainer
- Cleaning brush
- Allen wrench 2 mm width
- Allen wrench 4 mm width
- Universal spanner



1097379
Universal spanner kit (pack of 3 pieces)

Repair kit

- 130542
Repair kit
- 92759
Air piston service unit
- 183780
Sealing kit

SATAjet® 1000 H RP®



Technical data:

RP

Inlet pressure	2.5 bar
Air consumption at 2.0 bar bar	275 NI/min
Spray distance	17 cm - 21 cm



1,3	1,6	1,8	2,0
-----	-----	-----	-----

Standard with 1.0 l aluminium siphon cup **without** swivel joint

RP	161034	151266	151274	153353
----	--------	--------	--------	--------

Nozzle set

RP	161059	151613	151621	153379
----	--------	--------	--------	--------

SPRAY GUNS

CUP SYSTEMS

BREATHING PROTECTION

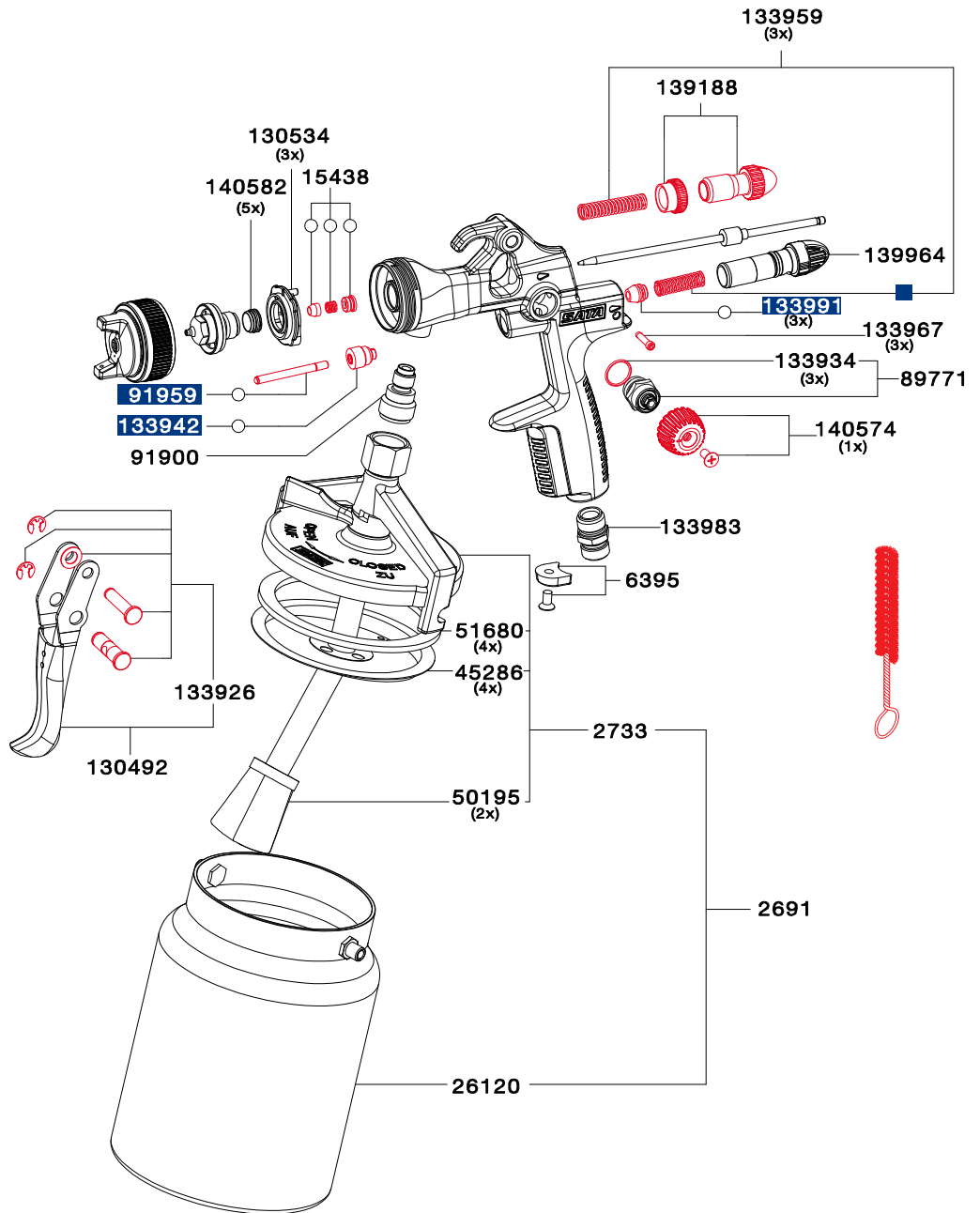
FILTER TECHNOLOGY

ACCESSORIES

MERCHANDISE ITEMS

Spare parts
SATAjet® 1000 H

2691	1.0 l aluminium suction cup, cpl.
2733	Lid fitting
6395	CCS Clips, green, blue, red, black packing unit 4 pieces)
15438	Paint needle packing
26120	1.0 l aluminium suction cup, without lid
45286	Anti-drip device (pack of 4 pieces)
50195	Strainer (packing unit 2 pieces)
51680	Sealing ring (packing unit 4 pieces)
89771	Spindle, cpl., f. round / flat spray control SATAjet 2000 HVL
91900	Material connection, stainless steel
91959	Air piston rod
130492	Trigger kit
130534	Air distribution ring (packing unit 3 pieces)
133926	Trigger sleeve kit
133934	Sealing (packing unit 3 pieces) for spindle
133942	Seal retainer, cpl.
133959	Pressure spring (3 pieces) for paint needle and air piston
133967	Adjustment screw (packing unit 3 pieces) for air micrometer
133983	Air connection piece 1/4" male thread
133991	Air piston head (packing unit 3 pieces)
139188	Material flow control with counter nut
139964	Air micrometer
140574	Control knob with screw
140582	Sealing element (packing unit 5 pieces) for fluid tip



Tool kit

- 9050
 - Extraction tool
 - Paint strainer
 - Cleaning brush
 - Allen wrench 2 mm width
 - Allen wrench 4 mm width
 - Universal spanner



- 1097379
 - Universal spanner kit (pack of 3 pieces)

Repair kit

- 130542
 - Repair kit
- 92759
 - Air piston service unit
- 183780
 - Sealing kit

SATAjet® 100 B F

RP® /HVLP



Technical data:

	RP	HVLP
Inlet pressure	1.5 bar – 2.0 bar	2.0 bar

Air consumption at 2.0 bar bar	290 NI/min	350 NI/min
Spray distance	17 cm – 21 cm	10 cm – 15 cm

1,1 UV	1,4	1,6	1,7	1,8	1,9	2,0	2,1
--------	-----	-----	-----	-----	-----	-----	-----

Spray gun with 0.6 l QCC reusable plastic gravity flow cup without swivel joint

RP	-	146969	145193	-	145201	-	145219	-
HVLP	-	146373	-	145722	-	145730	-	145748

Spray gun with 0.75 l QCC reusable aluminium gravity flow cup without swivel joint

RP	182592	153023	146134	-	146142	-	147421	-
HVLP	-	147447	-	146175	-	146183	-	147454

Spray gun with RPS multi-purpose cup 0.3 l / 0.6 l / 0.9 l (each 1x) without swivel joint

RP	203125*	1012632	1012640	-	1012658	-	1012666	-
HVLP	-	1012674	-	1012682	-	1012690	-	1012707

Nozzle set

RP	182600	146977	145250	-	145268	-	145276	-
HVLP	146381	-	-	145417	-	145425	-	145433

* 3 x 0,6 l UV ()

SATAjet® 100 B P

Technical data:

Inlet pressure	1.5 bar – 2.0 bar
Air consumption at 2.0 bar bar	245 NI/min
Spray distance	17 cm – 21 cm

P*

Spray gun with 0.6 l QCC reusable plastic gravity flow cup without swivel joint

145185	
--------	--

Spray gun with 0.75 l QCC reusable aluminium gravity flow cup without swivel joint

146217	
--------	--

Nozzle set

145284	
--------	--

* Polyester spray filler



SPRAY GUNS

CUP SYSTEMS

BREATHING PROTECTION

FILTER TECHNOLOGY

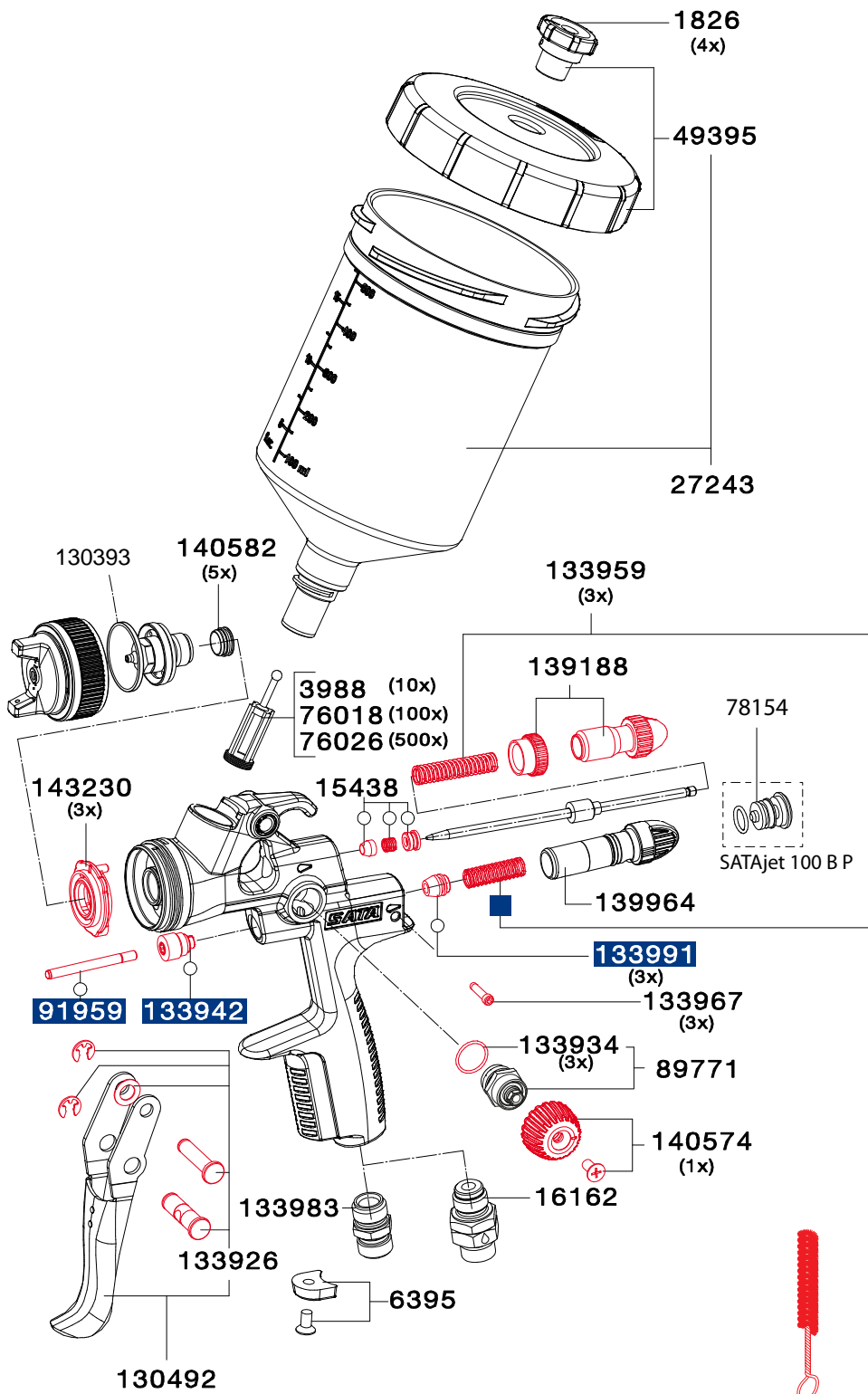
ACCESSORIES

MERCHANDISE ITEMS

Spare parts

SATAjet® 100 B

1826	Anti-drip device (packing unit 4 pieces)
3988	Paint strainer, 300 µm (packing unit 10 pieces)
6395	CCS Clips, green, blue, red, black packing unit 4 pieces)
15438	Paint needle packing
27243	Reusable plastic cup, 0.6 l with QCC without fine thread
49395	Screw-on lid for 0.6 l PVC cup with drip-catching ring and non-drip device
76018	Paint strainer, 300 µm (packing unit 100 pieces)
76026	Paint strainer, 300 µm (packing unit 500 pieces)
78154	Closing cap
89771	Spindle, cpl., f. round / flat spray control SATAjet 2000 HVLP
91959	Air piston rod
130393	Sealing ring for air cap ring SATAjet 100 and 1000
130492	Trigger kit
133926	Trigger sleeve kit
133934	Sealing (packing unit 3 pieces) for spindle
133942	Seal retainer, cpl.
133959	Pressure spring (3 pieces) for paint needle and air piston
133967	Adjustment screw (packing unit 3 pieces) for air micrometer
133983	Air connection piece 1/4" male thread
133991	Air piston head (packing unit 3 pieces)
139188	Material flow control with counter nut
139964	Air micrometer
140574	Control knob with screw
140582	Sealing element (packing unit 5 pieces) for fluid tip
143230	Air distribution ring (packing unit 3 pieces)
16162	Swivel joint



Tool kit

- 9050
- Extraction tool
- Paint strainer
- Cleaning brush
- Allen wrench 2 mm width
- Allen wrench 4 mm width
- Universal spanner



1097379
Universal spanner kit (pack of 3 pieces)

Repair kit

- 130542
Repair kit
- 92759
Air piston service unit
- 183780
Sealing kit

All prices are recommended list prices. Errors, technical modifications and printing errors reserved.

SATAmijet® 4400® B

Compact spray gun for high precision work



SPRAY GUNS

CUP SYSTEMS

BREATHING PROTECTION

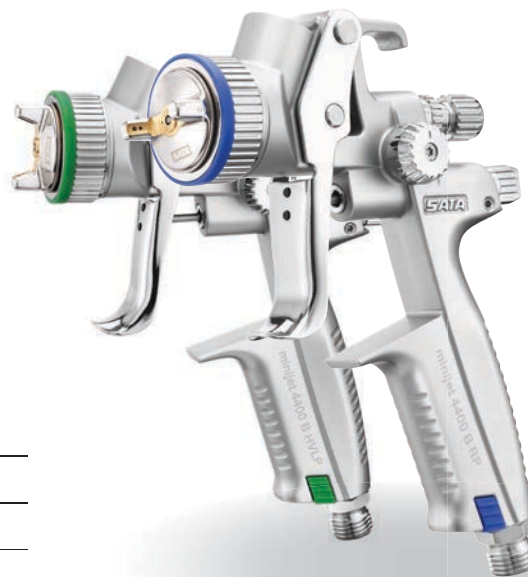
FILTER TECHNOLOGY

ACCESSORIES

MERCHANDISE ITEMS

SATAmijnjet® 4400 B

RP® /HVLP



Technical data:	RP	HVLP
Inlet pressure	0.5 bar - 2.5 bar	0.5 bar - 2.0 bar
Air consumption at 2.5 bar bar	200 NI/min	120 NI/min
Spray distance	12 cm - 19 cm	12 cm - 15 cm

	0,3	0,5	0,8	1,0	1,1	1,4	1,6
--	-----	-----	-----	-----	-----	-----	-----

Standard with 125 ccm QCC reusable PVC gravity flow cup

RP	-	202416	-	-	-	198234	198242
HVLP	197970	197988	197996	198002	198010	-	-

Nozzle set

RP	-	202408	-	-	-	201319	201327
HVLP	201194	201202	201210	201228	201236	-	-

► For the spot repair versions see the next page

	0,8 SR	1,0 SR	1,2 SR	1,3 SR	1,4 SR
Spot Repair with 125 ccm QQC reusable plastic gravity flow cup					
RP	198200	198218	198226	-	-
HVLP	198069	198077	198085	-	-
Spot-Repair with RPS multi-purpose cup 0.3 l (2x)					
RP	202390	198358	198366	1065136	-
HVLP	198168	198176	198184	-	198192
Nozzle set					
RP	201285	201293	201301	1065037	-
HVLP	201244	201251	201269	-	201277
design set					
198382					
SATA design set with SATAminijet 4400 B HVLP 1.0					

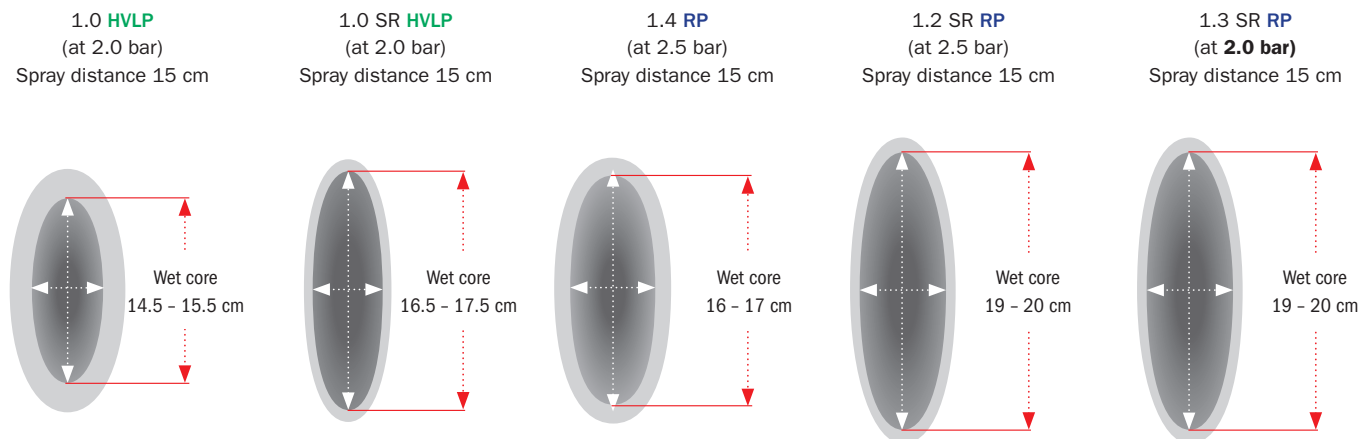
Spray fan comparison

SATAminijet 4400 B HVLP

Standard nozzle / SR nozzle

SATAminijet 4400 B RP

Standard nozzle / SR nozzle

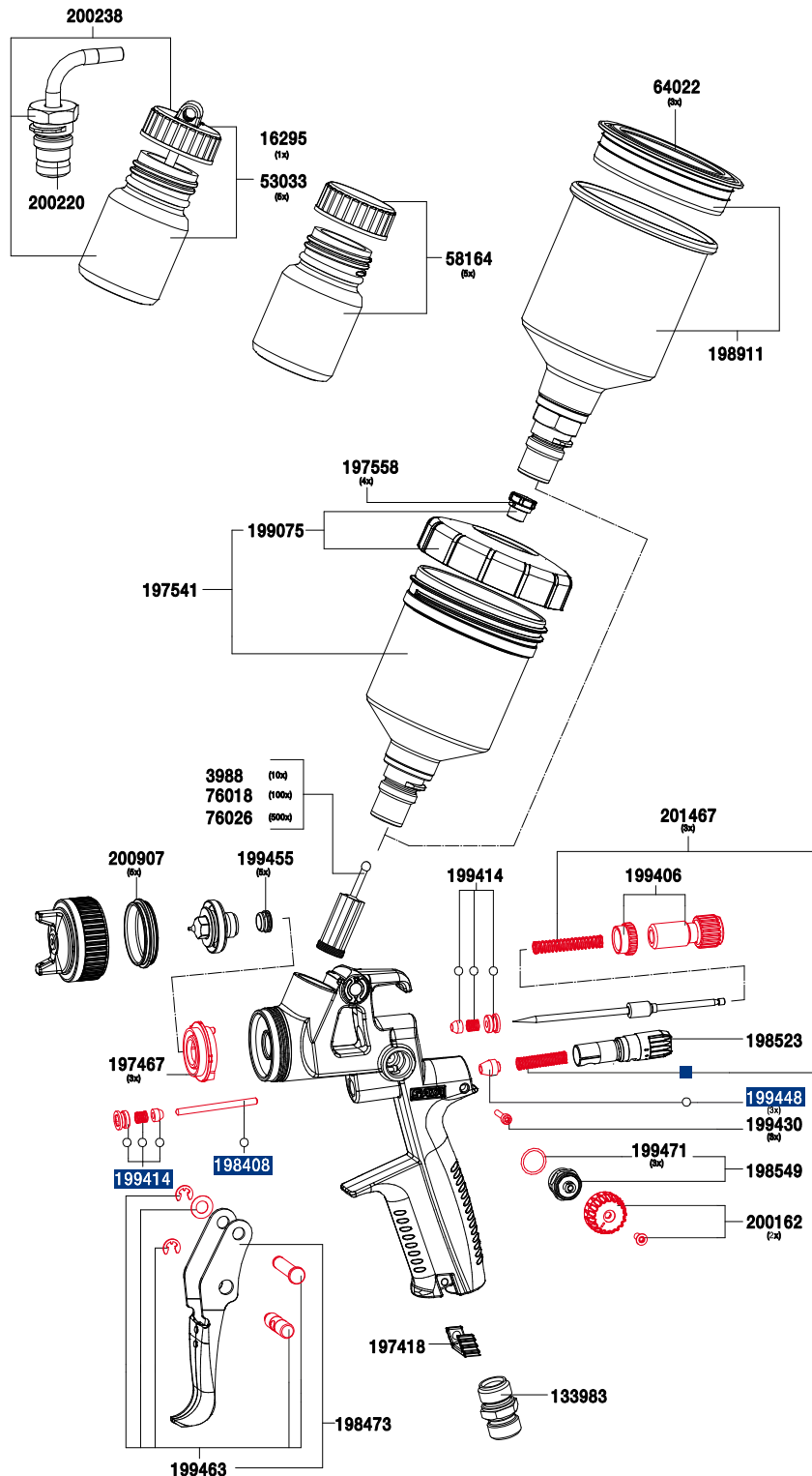


SR-nozzles especially for spot repair applications

- Lower risk of creating bright edges ("halos")
- Allows application of very thin layers of paint

Spare parts
SATAmijet®
4400 B

3988	Paint strainer, 300 µm (packing unit 10 pieces)
16295	25 ml glass cup with plug-in cup
53033	25 ml glass cup with plug-in cup (packing unit 5 pieces)
58164	25 ml glass cup with blind lid (packing unit 5 pieces)
64022	Plastic lid (3 pieces)
76018	Paint strainer, 300 µm (packing unit 100 pieces)
76026	Paint strainer, 300 µm (packing unit 500 pieces)
133983	Air connection piece 1/4" male thread
197418	CCS Clips, green, blue, red, black (packing unit 4 pieces)
197467	Air distribution ring (packing unit 3 pieces)
197541	Reusable plastic cup, 0.125 l with QCC without fine thread
197558	Anti-drip device (packing unit 4 pieces)
198408	Air piston rod
198473	Trigger kit
198523	Air micrometer, complete
198549	Spindle for round / flat spray control
198911	Reusable aluminium cup, 0.15 l with QCC without fine thread
199075	Screw cap with drip catcher ring and anti-drip device
199406	Material flow control with counter nut
199414	Packing for paint needle and air piston rod
199430	Adjustment screw (packing unit 3 pieces) for air micrometer
199448	Air piston head (packing unit 3 pieces)
199455	Sealing element (packing unit 5 pieces) for fluid tip
199463	Trigger sleeve kit
199471	Gasket (packing unit 3 pieces) for spindle
201467	Pressure spring (each 3 pieces) for paint needle and air piston
200162	Control knob with screw (each 2 pieces)
200220	Plug-in cup connection with QCC
200238	25 ml glass cup with plug-in lid (packing unit 5 pieces) and QCC plug-in connection (packing unit 1 piece)
200907	Sealing ring (packing unit 5 pieces)



Tool kit

- 198572
 - Universal spanner
 - Combi tool
 - Cleaning brush
 - Paint strainer
 - Extraction tool



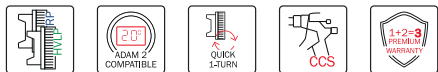
197379
Universal spanner kit (pack of 3 pieces)

Repair kit

- 198614
Repair kit
- 199422
Air piston service unit
- 200246
Sealing kit

All prices are recommended list prices. Errors, technical modifications and printing errors reserved.

SATAmijnjet® 1000 K RP® /HVLP



Technical data:	RP	HVLP
Inlet pressure:	2.5 bar	2.5 bar
Air consumption at 2.5 bar bar	200 NI/min	120 NI/min
Spray distance:	17 cm - 21 cm	10 cm - 15 cm
Material connection:	1/4" male thread	
Spray distance	Operating range (Field of application): 10 cm - 21 cm Recommended: 17 cm - 21 cm	Operating range (Field of application): 10 cm - 21 cm Recommended: 10 cm - 15 cm

0,3	0,5	0,8	1,0	1,2	1,4
-----	-----	-----	-----	-----	-----

Spray gun

	0,3	0,5	0,8	1,0	1,2	1,4
RP	187450	187468	187476	187484	187492	197152
HVLP	190280	190298	190306	190314	190322	-

Nozzle set

	0,3	0,5	0,8	1,0	1,2	1,4
RP	187625	187633	187641	187658	187666	197160
HVLP	190348	190355	190363	190371	190389	-

Required Accessories

187419
SATA paint tube G 1/4 female thread - 1/4" male thread



187690
SATA paint strainer 60 msh, 1/4" (male thread)



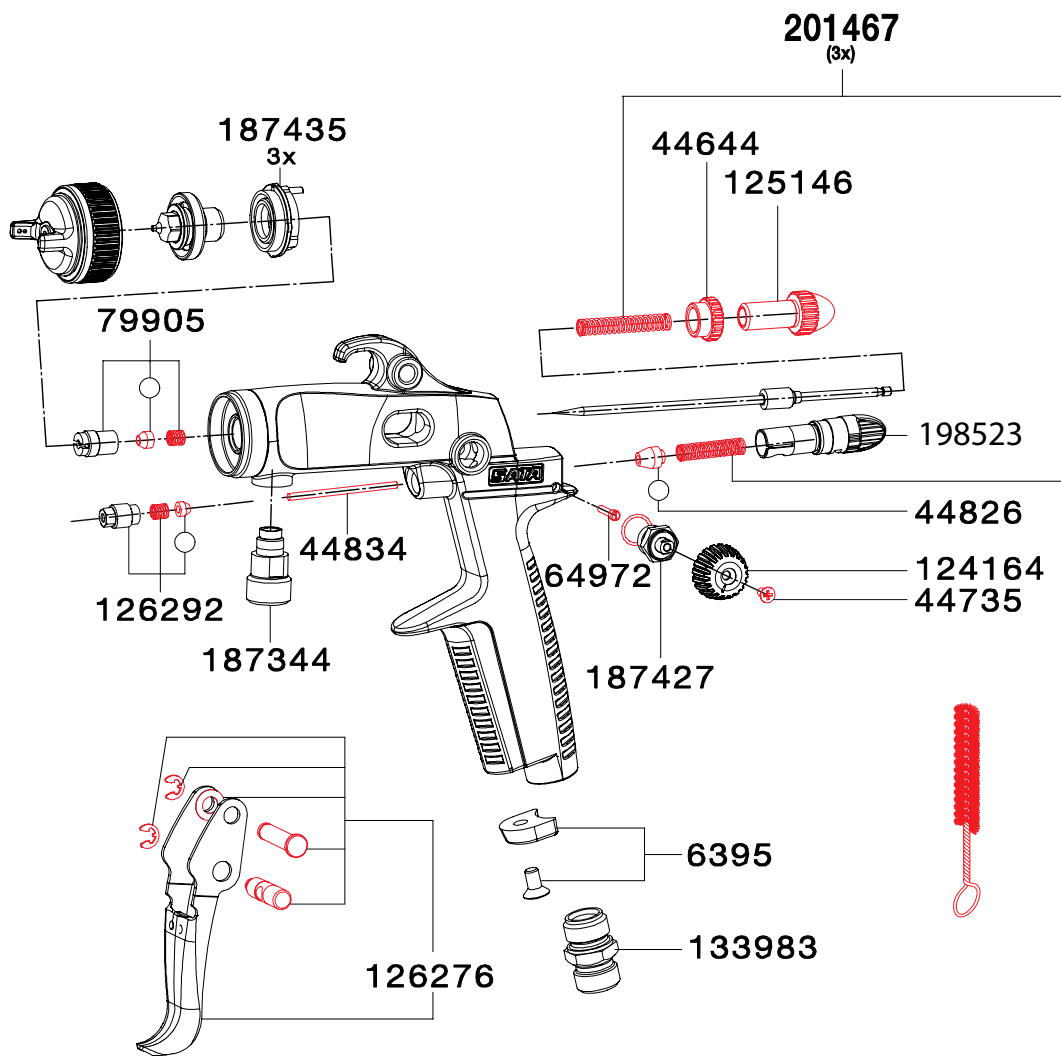
199018
SATA paint tube G 1/4" (female thread) - 3/8" (male thread)

▶ Further accessories as well as material and air connections see pages 54 and 68|69.

Spare parts

**SATAmijinjet®
1000 K**

6395	CCS Clips, green, blue, red, black packing unit 4 pieces)
44644	Counter nut
44735	Countersunk screw M 2.5 x 5, VA
44826	Air piston head
44834	Air piston rod
64972	Adjustment screw for air micrometer
79905	Paint needle packing
124164	Control knob
125146	Material flow control screw
126276	Trigger kit
126292	Packing kit air piston rod SATAmijinjet 3000 B HVLP, minijet 4 HVLP
133983	Air connection piece 1/4" male thread
187344	Material connection, stainless steel
187427	Spindle for round/flat control
187435	Air distribution ring (packing unit 3 pieces)
198523	Air micrometer, complete
201467	Pressure spring (each 3 pieces) for paint needle and air piston



Tool kit

- 125856
- Extraction tool
- Cleaning brush
- Wrench
- Universal spanner



Repair kit

- 126284
- Repair kit
- 50658
- Sealing kit

SATAjet® H



Technical data:

Inlet pressure:	4.0 bar
Air consumption at 4.0 bar bar	380 NI/min
Spray distance	18 cm - 23 cm



1,5	MSH	2,0
-----	-----	-----

Spray gun with 1.0 l aluminium siphon cup

23721	23747	23739		
-------	-------	-------	--	--

Nozzle set

23663	23697	23689		
-------	-------	-------	--	--

SPRAY GUNS

CUP SYSTEMS

BREATHING PROTECTION

FILTER TECHNOLOGY

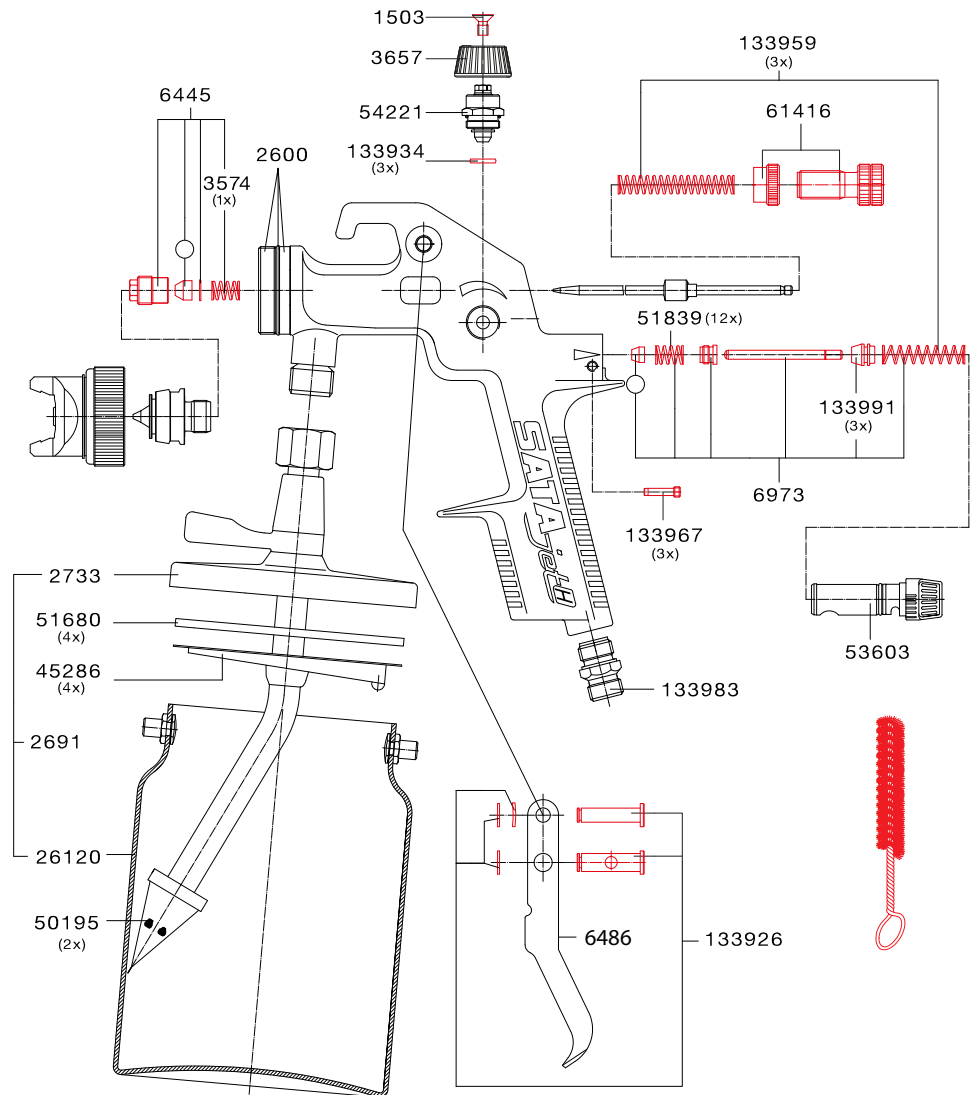
ACCESSORIES

MERCHANDISE ITEMS

Spare parts

SATAjet® H

1503	Countersunk screw M4 x 8 DIN 965, stainless steel, for micrometer und round/flat spray control
2600	Service unit for nozzle insert for SATAjet/B, H, K and NR 92, consisting of nozzle insert, distribution plate and sealing ring
2691	1.0 l aluminium suction cup, cpl.
2733	Lid fitting
3574	Pressure spring for
3657	Control knob
6445	Paint needle packing
6486	Trigger kit
6973	Air piston servicing unit
26120	1.0 l aluminium suction cup, without lid
45286	Anti-drip device (pack of 4 pieces)
50195	Strainer (packing unit 2 pieces)
51680	Sealing ring (packing unit 4 pieces)
51839	Pressure spring (packing unit 12 pieces) for air piston packing
53603	Air micrometer
54221	Spindle complete, for SATAjet/90, SATAjet, regulation valve and MC-B
61416	Material flow control with counter nut
133926	Trigger sleeve kit
133934	Sealing (packing unit 3 pieces) for spindle
133959	Pressure spring (3 pieces) for paint needle and air piston
133967	Adjustment screw (packing unit 3 pieces) for air micrometer
133983	Air connection piece 1/4" male thread
133991	Air piston head (packing unit 3 pieces)



Tool kit

- 9654
- Paint strainer
 - Cleaning brush
 - Socket wrench 7 mm width
 - Internal hexagonal wrench 2/4 mm width
 - Universal spanner



Repair kit

- 70623
- Repair kit

- 50666
- Sealing kit

SATA® spray master RP®



Technical data:	RP
Inlet pressure:	2.0 bar
Air consumption:	230 NI/min

SM*	1,7	2,0
-----	-----	-----

Spray gun

RP	72900	73734	74120		
----	-------	-------	-------	--	--

Nozzle set

RP	77982	73791	78279		
----	-------	-------	-------	--	--

* solid medium

SPRAY GUNS

CUP SYSTEMS

BREATHING PROTECTION

FILTER TECHNOLOGY

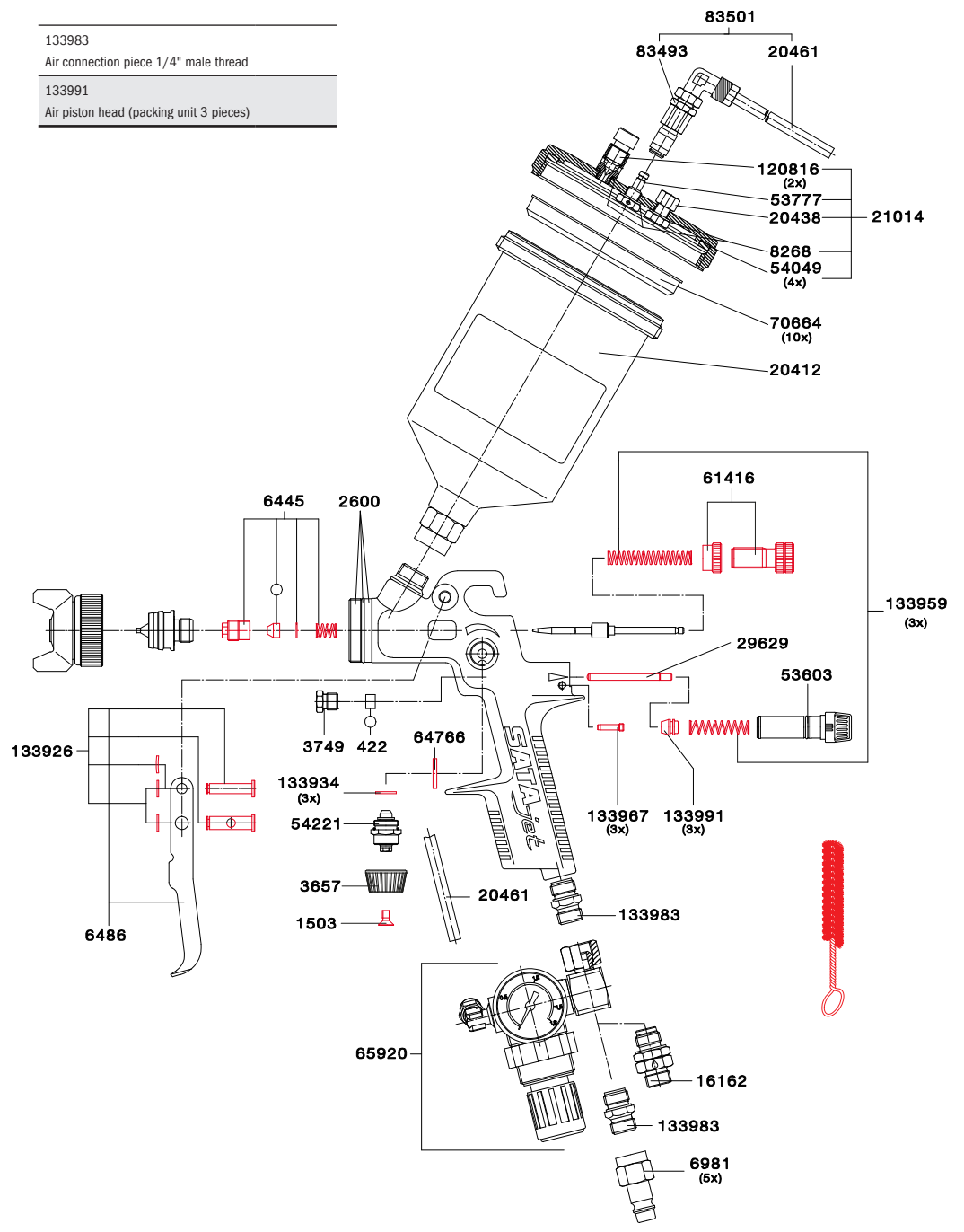
ACCESSORIES

MERCHANDISE ITEMS

Spare parts
SATA® spray master RP®

422	Gasket for air piston
1503	Countersunk screw M4 x 8 DIN 965, stainless steel, for micrometer und round/flat spray control
2600	Service unit for nozzle insert for SATAjet/B, H, K and NR 92, consisting of nozzle insert, distribution plate and sealing ring
3657	Control knob
3749	Stuffing box for air piston SATAjet, KL, HKD and MC-B
6445	Paint needle packing
6486	Trigger kit
6981	SATA quick coupling nipple G 1/4" (female thread) (packing unit 5 pieces)
8268	Sealing ring
16162	Swivel joint
20412	0.7 l pressure pot, aluminium without lid
20438	Safety pressure relief valve BVD
20461	Plastic air hose for BVD and agitator cup
21014	Aluminium lid, cpl.
29629	Air piston rod
53603	Air micrometer
53777	Air connection for aluminium lid
54049	Sealing ring (packing unit 4 pieces)
54221	Spindle complete, for SATAjet/90, SATAjet, regulation valve and MC-B
61416	Material flow control with counter nut
64766	Washer
65920	Control fittings, complete, for BVD pressurized cup connection kit (GR and LM)
70664	Anti-drip device (packing unit 10 pieces)
83493	Connection for pressurised cup, cpl.
83501	Air hose cpl. w. pressurized cup connection, for SATA Spray-Master
120816	Pressure release screw (packing unit 2 pieces)
133926	Trigger sleeve kit
133934	Sealing (packing unit 3 pieces) for spindle
133959	Pressure spring (3 pieces) for paint needle and air piston
133967	Adjustment screw (packing unit 3 pieces) for air micrometer

133983	Air connection piece 1/4" male thread
133991	Air piston head (packing unit 3 pieces)



Tool kit

- 9654
 - Paint strainer
 - Cleaning brush
 - Socket wrench 7 mm width
 - Internal hexagonal wrench 2/4 mm width
 - Universal spanner



Repair kit

- 70623
 - Repair kit
- 9829
 - Sealing kit
- 73254
 - Repair kit for control fitting

All prices are recommended list prices. Errors, technical modifications and printing errors reserved.

SATAjet® 20 B


Technical data:

Inlet pressure:	1.0 bar
Air consumption at 1.5 bar bar	40 NI/min
Spray distance:	variable



0,2 fineline	0,2	0,35	0,5	0,8	1,0
Spray gun with 65 ml PVC cup					
-	65078	65581	65649	66316	69229
189035					
Spray gun with 65 ml plastic cup, glass plug-on cup and 3 glass jars with blank lid					
-	86181	86199	86207	86215	86223
Nozzle set					
-	60459	60640	61200	61341	61523
189043					

SATAjet 20 B design set

90381

SATAjet 20 B design set 0.5 with accessories in case

Contains: various cup versions such as plastic cup, plug-in cup, glass cup, cleaning kit, SATA air micrometer with pressure gauge, spray gun stand, tool kit, nozzle set, PVC compressed air hose.



▣ Completely assembled air hoses see page 138.

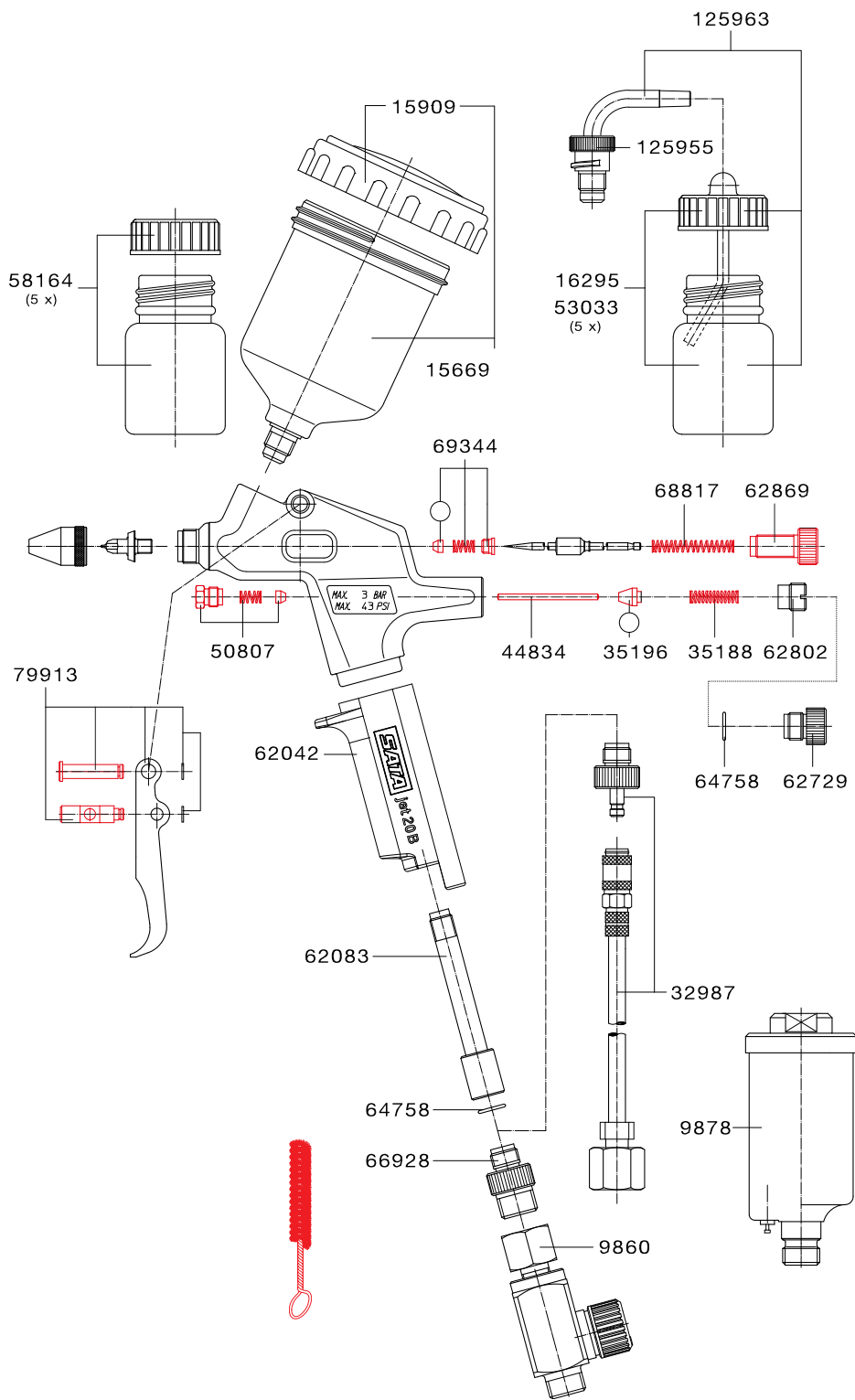
Line thicknesses SATAjet 20 B

0.2 mm	_____	Nozzle set fineline 0.2
0.6 mm	_____	Nozzle set 0.2
0.8 mm	_____	Nozzle set 0.35
1.1 mm	_____	Nozzle set 0.5
1.5 mm	_____	Nozzle set 0.8
1.9 mm	_____	Nozzle set 1.0

Spare parts

SATAjet® 20 B

9860	SATA air micrometer 0-845, 1/4" (male thread) and G 1/4" (female thread)
9878	SATA mini filter 1/4" (male thread)
15669	65 ml PVC reusable cup, cpl.
15909	PVC screw-on lid 65 ccm PVC cup SATAjet 20 B, dekor 2000
16295	25 ml glass cup with plug-in cup
32987	SATA PVC compressed air hose, transparent, 3 m long with G 1/4" (female thread), mini quick coupling and nipple
35188	Pressure spring for air piston
35196	Air piston head
44834	Air piston rod
50807	Service unit air piston rod SATAjet 20 B, dekor 2000, minijet 3 HVLP
53033	25 ml glass cup with plug-in cup (packing unit 5 pieces)
58164	25 ml glass cup with blind lid (packing unit 5 pieces)
62042	Spray gun handle SATAjet 20 B, dekor 2000
62083	Air pipe
62729	Closing screw SATAjet 20 B, dekor 2000
62802	Compression screw 1/8" (male thread)
62869	Material flow control screw
64758	O-ring
66928	Air connection 1/8" (male thread) - 1/4" (male thread)
68817	Pressure spring for paint needle
69344	Paint needle packing
79913	Trigger kit
125955	Plug-in cup connection with QCC SATAjet 20 B, dekor 2000, minijet 3000 B HVLP, minijet 4 HVLP
125963	25 ml glass cup with plug-in lid (packing unit 5 pieces) and QCC plug-in connection (packing unit 1 piece)



Tool kit

- 9373
 - Cleaning brush
 - Universal spanner
 - Hexagonal screwdriver



Repair kit

- 91165
 - Repair kit
- 69427
 - Sealing kit

SATAgraph™ 1/3

Technical data:

Inlet pressure:	variable
Air consumption:	10 NI/min
Spray distance:	variable


SATAgraph 1 - The Starter Model (each with aluminium case)

134544

SATAgraph 1 0.25 with 2.5 ml gravity flow cup, in aluminium case, without hose

139568

SATAgraph 1 0.25 with 5 ml suction cup, in aluminium case, without hose

141408

SATAgraph 1 0.45 with 5 ml suction cup, in aluminium case, without hose


Nozzle set

0,25	0,45
134619	134635

SATAgraph 3 - Premium Airbrush for Professionals (each with aluminium case)

134551

SATAgraph 3 0.25 with 2.5 ml gravity flow cup, PVC air hose 3m with mini quick coupling and G 1/4" (female thread)

134569

SATAgraph 3 0.25 with 2.5 ml gravity flow cup, in aluminium case, without hose

134577

SATAgraph 3 0.25 with 5 ml siphon cup, PVC air hose 3 m with mini quick coupling and G 1/4" (female thread)

134585

SATAgraph 3 0.25 with 5 ml siphon cup, in aluminium case, without hose


Nozzle set

0,15	0,25	0,45	0,65
134643	134650	134668	134676

Spare Parts

SATAglyph 1

32615
Coupling nipple (packing unit 3 pieces)

134767
2.5 ml gravity flow cup, cpl.

134775
5 ml gravity flow cup, cpl.

134783
5 ml suction cup, cpl.

134809
Trigger

138909
O-ring (packing unit 5 pieces)

142638
O-Ring (packing unit 5 pieces)

SATAglyph 3

32615
Coupling nipple (packing unit 3 pieces)

134767
2.5 ml gravity flow cup, cpl.

134775
5 ml gravity flow cup, cpl.

134783
5 ml suction cup, cpl.

134817
Needle cap

134833
Grip end piece

134957
Trigger

138909
O-ring (packing unit 5 pieces)

142638
O-Ring (packing unit 5 pieces)

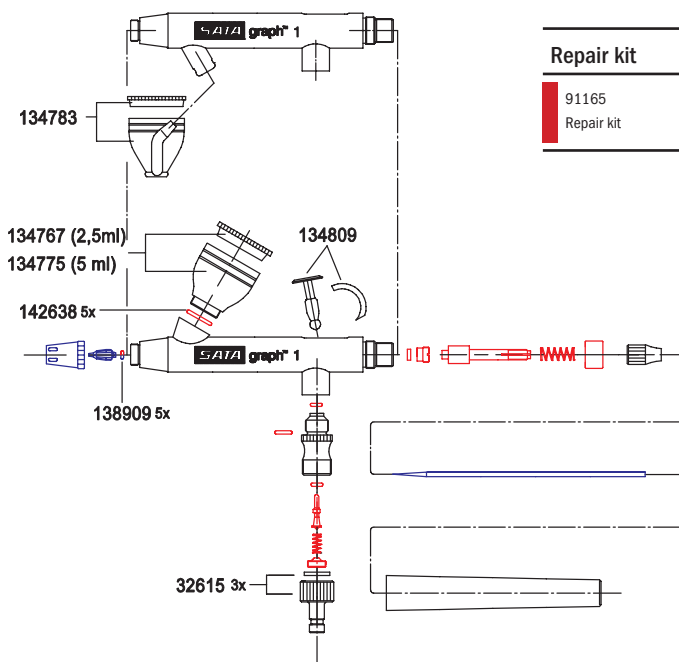
Hoses and nipples

32615
Coupling nipple (packing unit 3 pieces)

32987
SATA PVC compressed air hose, transparent, 3 m long with G 1/4" (female thread), mini quick coupling and nipple

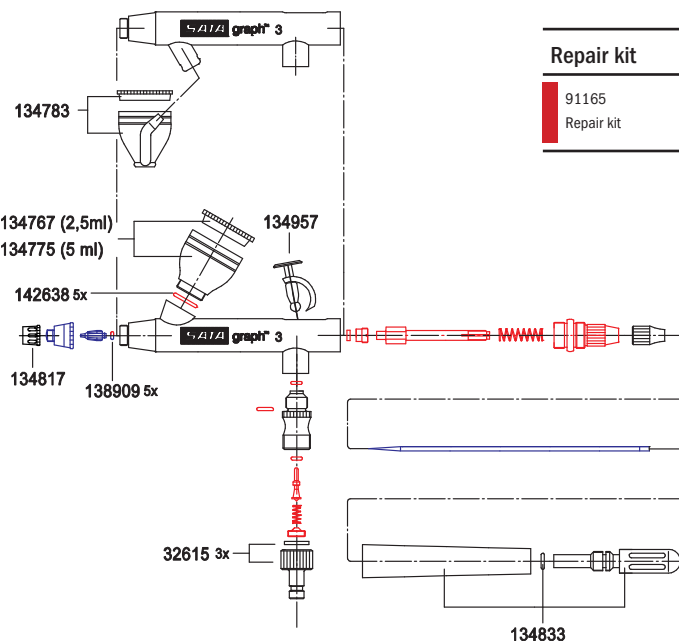
Please always order the following article:
32615
Coupling nipple (packing unit 3 pieces)

134791
SATA Fibre air hose, 2.5 m long with G 1/4" (female thread), mini quick coupling



Repair kit

91165
Repair kit



Repair kit

91165
Repair kit

SATAglyph™ 4

Technical data:

Inlet pressure:	variable
Air consumption:	10 NI/min
Spray distance:	variable



SATAglyph 4* - Universal airbrush gun (each with aluminium case)

227629

SATAglyph 4 nozzle 0.5 with 7 ml standard cup

227637

SATAglyph 4 nozzle 0.5 with 7 ml side cup

227645

SATAglyph 4 nozzle 0.5 with 6 ml suction cup



Nozzle set

0,5		
227363		

* SATAglyph 4 is supplied without hoses and quick coupling nipple. These components have to be ordered separately (see spare parts)

▶ Air hose for design spray guns see page 138.

SPRAY GUNS

CUP SYSTEMS

BREATHING PROTECTION

FILTER TECHNOLOGY

ACCESSORIES

MERCHANDISE ITEMS

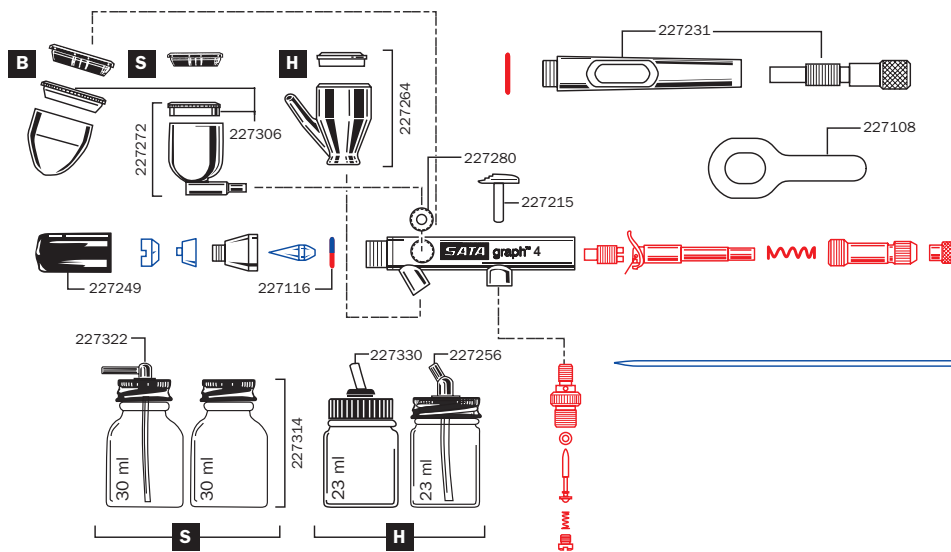
Spare Parts

SATAgraph™ 4

227108	Wrench for nozzle head
227116	O-Ring (packing unit 5 pieces)
227215	Trigger
227231	Handle end piece, complete
227249	Protection cap for paint needle
227256	23 ml glass cup, cpl.
227264	6 ml metal suction cup, cpl.
227272	7 ml metal side cup, cpl.
227280	Plug for material supply from the side, red
227306	Lid for metal paint cup, side cup and gravity flow cup version
227314	30 ml glass cup, cpl. with neutral lid
227322	30 ml glass cup, cpl.
227330	23 ml glass cup, cpl. with Fast Blast

Hoses and nipples

32615	Coupling nipple (packing unit 3 pieces)
32987	SATA PVC compressed air hose, transparent, 3 m long with G 1/4" (female thread), mini quick coupling and nipple
Please always order the following article:	
32615	Coupling nipple (packing unit 3 pieces)
134791	SATA Fibre air hose, 2.5 m long with G 1/4" (female thread), mini quick coupling



Repair kit

91165	Repair kit
-------	------------

Extensions SATAjet® 1000 B RP®

Extensions

154211

Extension with standard nozzle (0°), 20 cm with nozzle set 1.6 RP for SATAjet 1000 B RP

154229

Extension with standard nozzle (0°), 30 cm with nozzle set 1.6 RP for SATAjet 1000 B RP

154237

Extension with standard nozzle (0°), 40 cm with nozzle set 1.6 RP for SATAjet 1000 B RP

154252

Extension with diagonal spray nozzle (30°), 20 cm with nozzle set 1.6 RP for SATAjet 1000 B RP

154260

Extension with diagonal spray nozzle (30°), 30 cm with nozzle set 1.6 RP for SATAjet 1000 B RP

154278

Extension with diagonal spray nozzle (30°), 40 cm with nozzle set 1.6 RP for SATAjet 1000 B RP

178533

Extension with diagonal spray nozzle (30°), swiveling, 40 cm with nozzle set 1.6 RP for SATAjet 1000 B RP, preferably with BVD pressurized cup

185520

Extension with diagonal spray nozzle (30°), swivelling, 20 cm with nozzle set 1.6 RP for SATAjet 1000 B RP, preferably with BVD pressurized cup

154294

Extension with angular head nozzle (90°), 20 cm with nozzle set 1.6 RP for SATAjet 1000 B RP

154302

Extension with diagonal spray nozzle (90°), 30 cm with nozzle set 1.6 RP for SATAjet 1000 B RP

154310

Extension with angular head nozzle (90°), 40 cm with nozzle set 1.6 RP for SATAjet 1000 B RP

196162

Extension with rotary nozzle (360°), 20 cm with nozzle set 1.6 RP for SATAjet 1000 B RP, function exclusively with SATA BVD pressurized cup

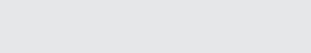
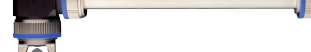
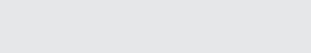
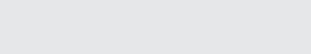
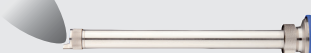
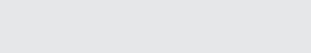
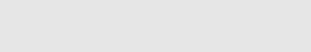
196170

Extension with rotary nozzle (360°), 30 cm with nozzle set 1.6 RP for SATAjet 1000 B RP, function exclusively with SATA BVD pressurized cup

196188

Extension with rotary nozzle (360°), 40 cm with nozzle set 1.6 RP for SATAjet 1000 B RP, function exclusively with SATA BVD pressurized cup

► Custom-made versions for extension upon request!



Extensions SATAjet® 1000 K RP®

Extensions

154435

Extension with standard nozzle (0°), 20 cm with nozzle set 1.5 RP for SATAjet 1000 K RP

154443

Extension with standard nozzle (0°), 30 cm with nozzle set 1.5 RP for SATAjet 1000 K RP



154450

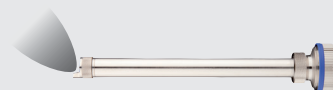
Extension with standard nozzle (0°), 40 cm with nozzle set 1.5 RP for SATAjet 1000 K RP

154476

Extension with diagonal spray nozzle (30°), 20 cm with nozzle set 1.6 RP for SATAjet 1000 K RP

154484

Extension with diagonal spray nozzle (30°), 30 cm with nozzle set 1.6 RP for SATAjet 1000 K RP



154492

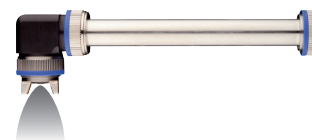
Extension with diagonal spray nozzle (30°), 40 cm with nozzle set 1.6 RP for SATAjet 1000 K RP

154559

Extension with angular head nozzle (90°), 20 cm with nozzle set 1.5 RP for SATAjet 1000 K RP

154567

Extension with angular head nozzle (90°), 30 cm with nozzle set 1.6 RP for SATAjet 1000 K RP



154575

Extension with angular head nozzle (90°), 40 cm with nozzle set 1.5 RP for SATAjet 1000 K RP

154518

Extension with rotary nozzle (360°), 20 cm with nozzle set 1.6 RP for SATAjet 1000 K RP

154526

Extension with rotary nozzle (360°), 30 cm with nozzle set 1.6 RP for SATAjet 1000 K RP



154534

Extension with rotary nozzle (360°), 40 cm with nozzle set 1.6 RP for SATAjet 1000 K RP

► Custom-made versions for extension upon request!

Material and air connection SATA-jet® 3000 K, 1000 K

SPRAY GUNS
CUP SYSTEMS
BREATHING PROTECTION
FILTER TECHNOLOGY
ACCESSORIES
MERCHANDISE ITEMS

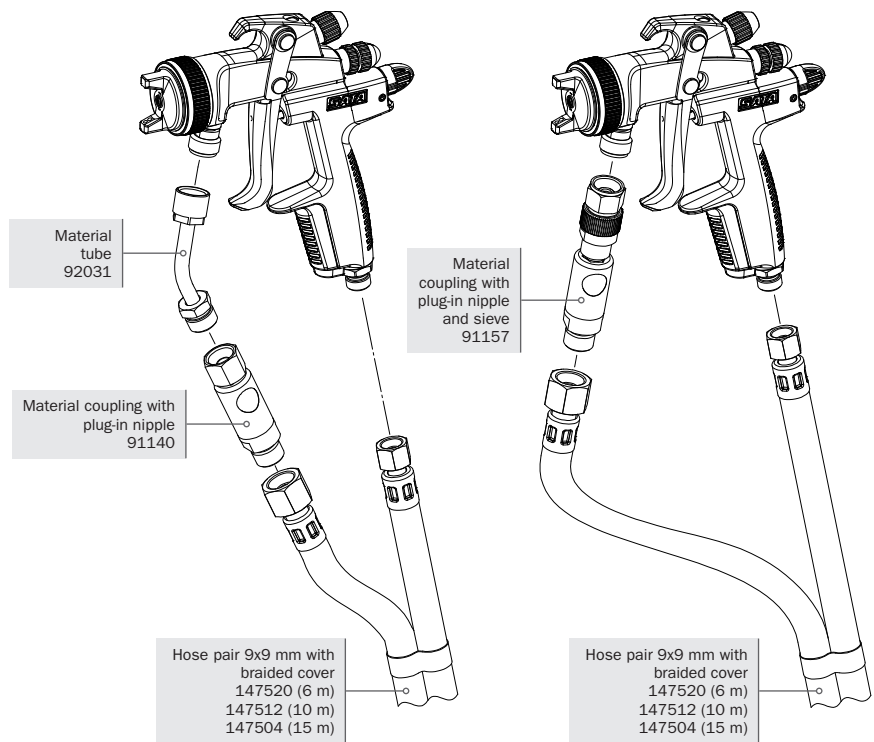
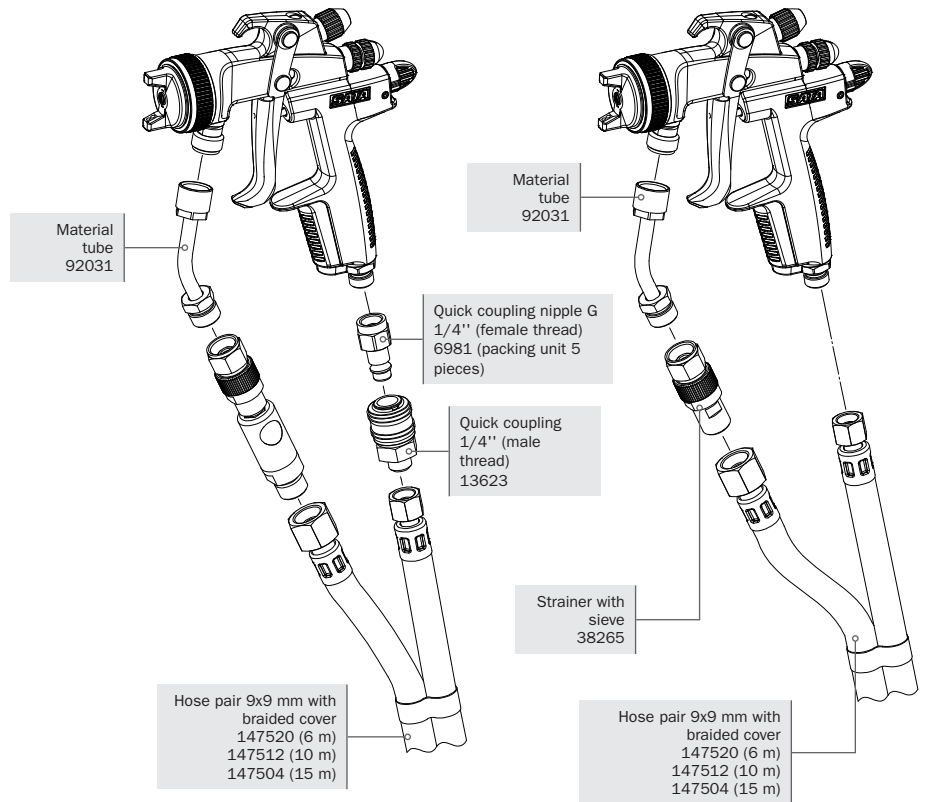
Article

6981	SATA quick coupling nipple G 1/4" (female thread) (packing unit 5 pieces)
13623	SATA quick coupling 1/4" (male thread)
38265	SATA paint strainer 60 msh, G 3/8" (female thread) and 3/8" (male thread)
91140	SATA material coupling 3/8" (male thread) with plug-in nipple G 3/8" (female thread)
91157	SATA material coupling 3/8" (male thread) with plug-in nipple G 3/8" (female thread) and material strainer 60 msh
92031	SATA paint tube G 3/8" (female thread) - 3/8" (male thread)
147504	SATA hose pair 9 x 9 mm, 15 m, with covering fabric netting, G 3/8" and G 1/2" (material), G 1/4" (air) (female thread)
147512	SATA hose pair 9 x 9 mm, 10 m, with covering fabric netting, G 3/8" and G 1/2" (material), G 1/4" (air) (female thread)
147520	SATA hose pair 9 x 9 mm, 6 m, with covering fabric netting, G 3/8" and G 1/2" (material), G 1/4" (air) (female thread)

Spare sieves

12260	Sieve 60 msh (packing unit 4 pieces)
12278	Sieve, 100 msh (packing unit 4 pieces)
74856	Strainer kit: Sieve 200 msh (4 pcs.), strainer holder (2 pcs.), screw (1 pcs.)

▶ Hose pairs see pages 138|139



Material and air connection

SATAmijnjet® 1000 K

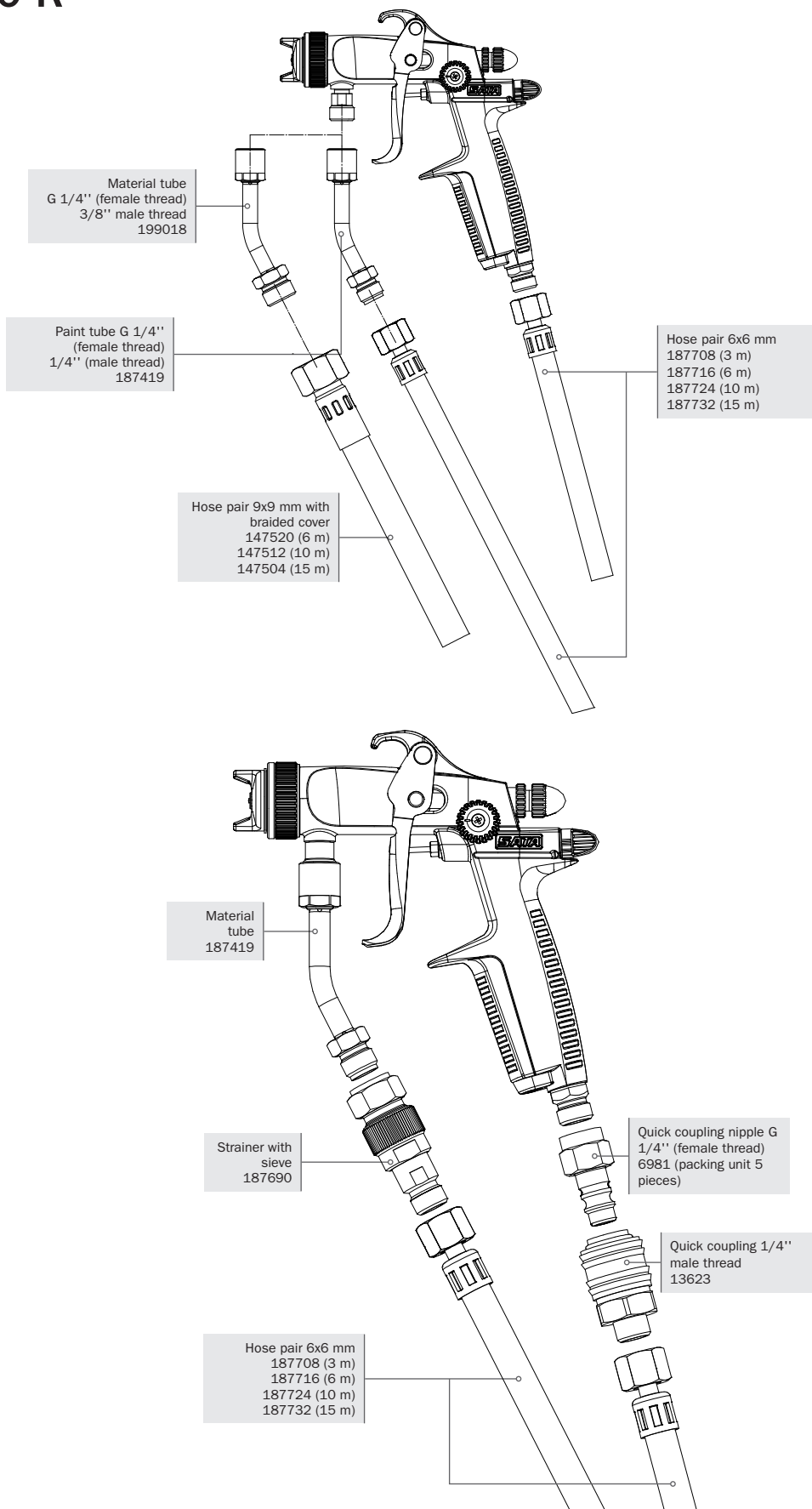
Article

6981	SATA quick coupling nipple G 1/4" (female thread) (packing unit 5 pieces)
13623	SATA quick coupling 1/4" (male thread)
147504	SATA hose pair 9 x 9 mm, 15 m, with covering fabric netting, G 3/8" and G 1/2" (material), G 1/4" (air) (female thread)
147512	SATA hose pair 9 x 9 mm, 10 m, with covering fabric netting, G 3/8" and G 1/2" (material), G 1/4" (air) (female thread)
147520	SATA hose pair 9 x 9 mm, 6 m, with covering fabric netting, G 3/8" and G 1/2" (material), G 1/4" (air) (female thread)
187419	SATA paint tube G 1/4 female thread - 1/4" male thread
187690	SATA paint strainer 60 msh, 1/4" (male thread)
187708	SATA hose pair 6 x 6 mm, 3 m, G 1/4" (female thread) (material and air)
187716	SATA hose pair 6 x 6 mm, 6 m, G 1/4" and G 1/2" (material), G 1/4" (air) (female thread)
187724	SATA hose pair 6 x 6 mm, 10 m, G 1/4" and G 1/2" (material), G 1/4" (air) (female thread)
187732	SATA hose pair 6 x 6 mm, 15 m, G 1/4" and G 1/2" (material), G 1/4" (air) (female thread)
199018	SATA paint tube G 1/4" (female thread) - 3/8" (male thread)

Spare sieves

12260	Sieve 60 msh (packing unit 4 pieces)
12278	Sieve, 100 msh (packing unit 4 pieces)
74856	Strainer kit: Sieve 200 msh (4 pcs.) strainer holder (2 pcs.), screw (1 pcs.)

▶ Hose pairs see pages 138|139



All prices are recommended list prices. Errors, technical modifications and printing errors reserved.

Spray Gun Cases



Spray Gun Cases

1079137

SATA case, umbra (47 x 37 x 18 cm), with print "SATAjet X 5500", incl. inserts for 5 spray guns



1086976

Foam inlay, black, for 5 spray guns, incl. cover insert

1080142

SATA case, umbra (30 x 23 x 13 cm), with print "SATAjet X 5500", incl. inserts for 2 spray guns



1056268

Foam insert, black, for 2 spray guns, incl. cover insert

1098989

SATA case olive-green (52 x 29 x 19 cm) with trolley function, without print, incl. insert for 5 paint spray guns



167692

Foam insert, blue/black for 5 spray guns, without cover insert

212316

SATA case olive-green (33 x 23 x 15 cm), without print, incl. insert for 2 paint spray guns



212332

Foam insert, blue/black for 2 spray guns, incl. cover insert

153288

SATA case, black (63 x 50 x 30 cm) with trolley function, without print, incl. individual insert



1056565

SATA case, black (30 x 24 x 15 cm), with print "SATA", incl. inserts for 2 paint spray guns



174128

SATA case, silver (45 x 33 x 15 cm), without print, incl. inserts for 5 spray guns



169706

Foam insert, blue/black for 5 spray guns, incl. cover insert

133355

SATA case, silver (50 x 35 x 200) with trolley function, without print, incl. inserts for 4 spray guns



133363

Foam insert, pink for 4 spray guns, incl. cover insert



Nozzle Sets and spare parts of discontinued gun models

SATAjet 5000 B PHASER | Discontinuation end of 2026

	1,2	1,2 W	1,3	1,3 cc						
RP	1006841	1006859	1006867	1006916						
	WSB	1,3	1,4	1,5						
HVLP	1006875	1006883	1006891	1006908						

SATAjet 4000 B STANDARD / DIGITAL | Discontinuation end of 2027

	1,0	1,1	1,2	1,2 W	1,3	1,4	1,6	1,8	2,0	2,5
RP	166991	167007	167015	167023	167049	167056	167072	167080	168625	168633
	1,0	1,2	WSB	1,3	1,4	1,5	1,7	1,9	2,2	
HVLP	166926	166934	166983	166942	166967	166975	168658	168666	168674	

SATAminijet 3000 B HVLP

	0,3	0,5	0,8	1,0	1,1	0,8 SR	1,0 SR	1,2 SR	1,4 SR	
HVLP	125583	125591	125609	125617	125625					
HVLP						125682	125690	125708	125716	

SATAjet B

	1,0 E	MSB	1,4 E	1,5 E	1,7 E	2,0 W				
	4143	4127	3848	4119	4101	4093				

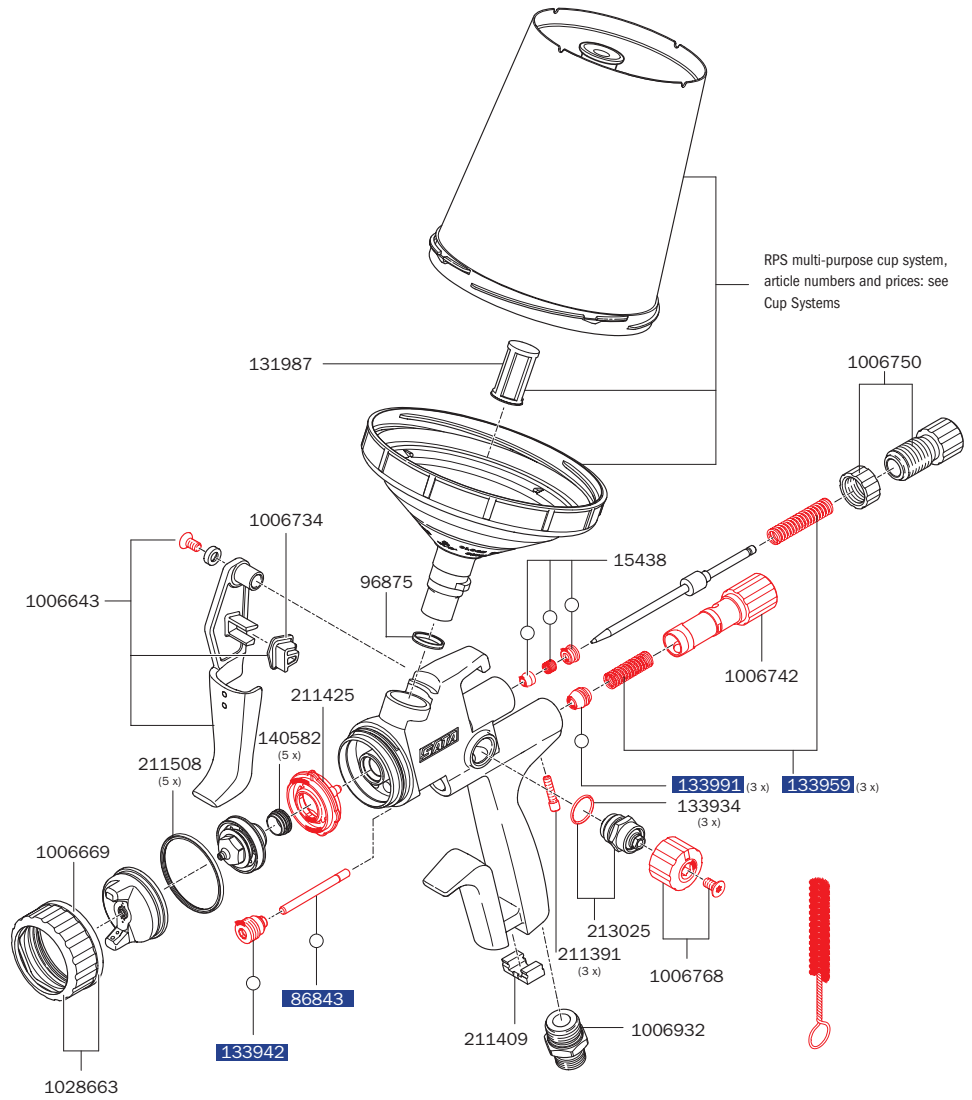
SATAjet GR

	1,3 W	1,5 W	1,7 W	2,0 W	2,5 W	3,0 W				
	31252	31898	31997	4093	13003	13011				

Spare parts for discontinued spray gun models

SATAjet® 5000 B PHASER

15438	Paint needle packing
86843	Air piston rod
96875	PVC insert for paint spray guns with QCC cup connection
131979	Spare flat sieve 125µm, pastel blue (packing unit 100 pieces)
131987	Spare plug-in sieve 200 µm, pastel green (packing unit 100 pieces)
133934	Sealing (packing unit 3 pieces) for spindle
133942	Seal retainer, cpl.
133959	Pressure spring (3 pieces) for paint needle and air piston
133991	Air piston head (packing unit 3 pieces)
140582	Sealing element (packing unit 5 pieces) for fluid tip
211391	Locking screw (packing unit 3 pieces) for air micro-meter
211409	CCS-Clips, green, blue, red, black (packing unit 4 pieces)
211425	Air distribution ring (packing unit 3 pieces)
213025	Spindle, cpl., for round / flat spray control
211508	Sealing ring (packing unit 5 pieces)
1006643	Trigger kit
1006669	Kit consisting of coloured marking rings (blue, green, black, packing unit each 1 piece)
1006734	Trigger fixing clip
1006742	Air micrometer
1006750	Material flow control with counter nut
1006768	Control knob with screw (packing unit 2 pieces)
1006932	Air connection piece 1/4" male thread
1028663	Air cap ring, cpl. with color marking ring



Tool kit

- 211524
 - Universal spanner
 - Combi tool
 - Cleaning brush
 - CCS clips
 - Paint strainer
 - Extraction tool



- 1097379
 - Universal spanner kit (pack of 3 pieces)

Repair kit

- 1006809
 - Repair kit
- 82552
 - Air piston service unit
- 136960
 - Sealing kit

SPRAY GUNS

CUP SYSTEMS

BREATHING PROTECTION

FILTER TECHNOLOGY

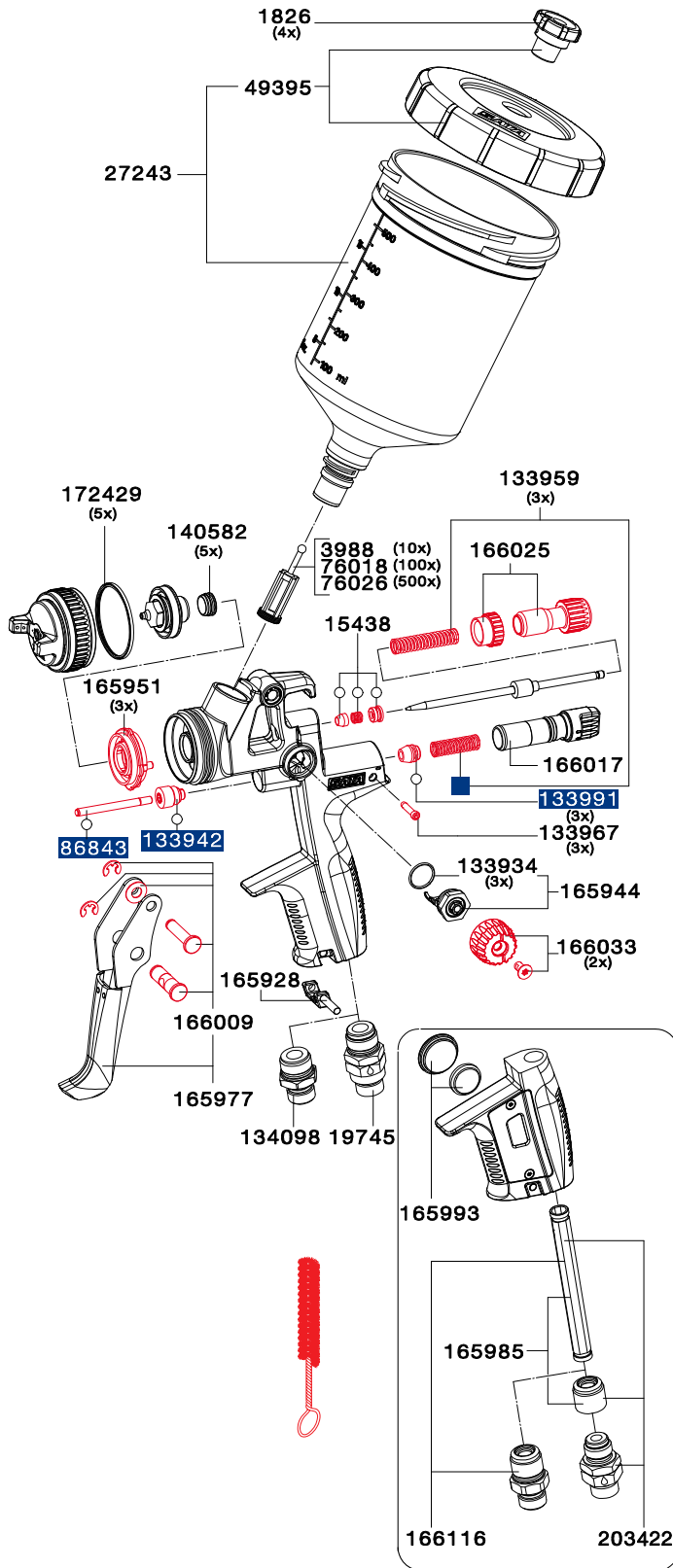
ACCESSORIES

MERCHANDISE ITEMS

Spare parts for discontinued spray gun models

SATAjet® 4000 B

1826	Anti-drip device (packing unit 4 pieces)
3988	Paint strainer, 300 µm (packing unit 10 pieces)
15438	Paint needle packing
19745	Swivel joint
27243	Reusable plastic cup, 0.6 l with QCC without fine thread
49395	Screw-on lid for 0.6 l PVC cup with drip-catching ring and non-drip device
76018	Paint strainer, 300 µm (packing unit 100 pieces)
76026	Paint strainer, 300 µm (packing unit 500 pieces)
86843	Air piston rod
133934	Sealing (packing unit 3 pieces) for spindle
133942	Seal retainer, cpl.
133959	Pressure spring (3 pieces) for paint needle and air piston
133967	Adjustment screw (packing unit 3 pieces) for air micrometer
133991	Air piston head (packing unit 3 pieces)
134098	Air connection piece 1/4" (male thread)
140582	Sealing element (packing unit 5 pieces) for fluid tip
165928	CCS Clips, green, blue, red, black (packing unit 4 pieces)
165944	Spindle for round/flat spray control >Quarter Turn<
165951	Air distribution ring (packing unit 3 pieces)
165977	Trigger kit
165985	Seal retainer with sleeve
165993	Battery kit
166009	Trigger sleeve kit
166017	Air micrometer
166025	Material flow control with counter nut
166033	Control knob with screw (each 2 pieces)
166116	Air connection with sleeve
172429	Sealing ring (packing unit 5 pieces)
203422	Seal retainer with sleeve and swivel joint



Tool kit

- 165936
- Universal spanner
- Combi tool
- Cleaning brush
- CCS clips
- Paint strainer
- Extraction tool



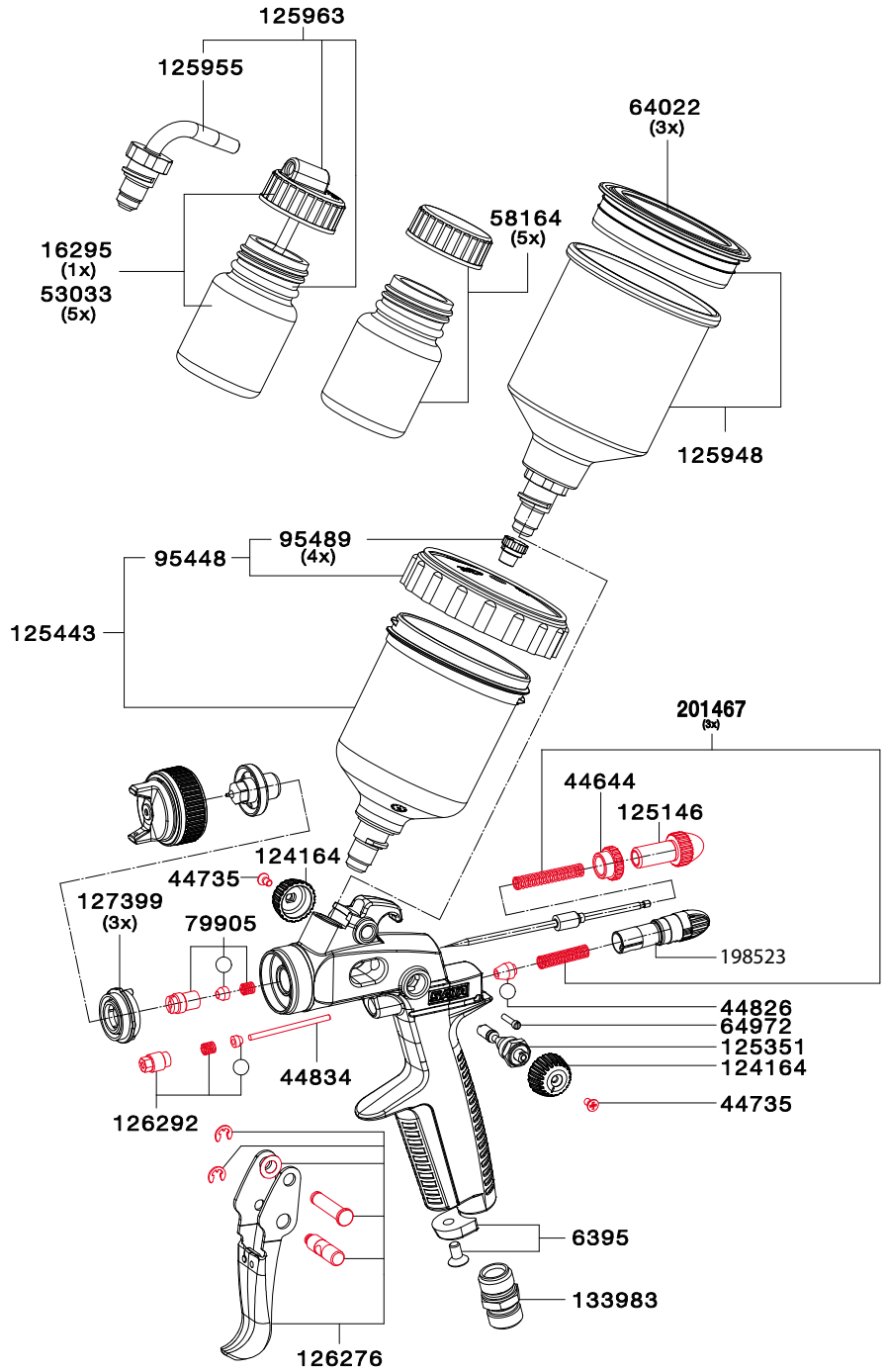
Repair kit

- 166058
- Repair kit
- 82552
- Air piston service unit
- 136960
- Sealing kit

Spare parts for discontinued spray gun models

**SATAmijet®
3000 B HVLP**

6395	CCS Clips, green, blue, red, black packing unit 4 pieces)
44644	Counter nut
44735	Countersunk screw M 2.5 x 5, VA
44826	Air piston head
44834	Air piston rod
53033	25 ml glass cup with plug-in cup (packing unit 5 pieces)
58164	25 ml glass cup with blind lid (packing unit 5 pieces)
64022	Plastic lid (3 pieces)
64972	Adjustment screw for air micrometer
79905	Paint needle packing
95448	Screw-on lid 125 cm PVC cup with anti-drip device
95489	Anti-drip device (4 pieces)
124164	Control knob
125146	Material flow control screw
198523	Air micrometer, complete
125351	Spindle SATAmijet 3000 B HVLP, minijet 4 HVLP
125443	Reusable plastic cup, 0.125 l with QCC and fine thread
125948	0.15 l QCC reusable aluminium cup, cpl.
125955	Plug-in cup connection with QCC SATAjnet 20 B, dekor 2000, minijet 3000 B HVLP, minijet 4 HVLP
125963	25 ml glass cup with plug-in lid (packing unit 5 pieces) and QCC plug-in connection (packing unit 1 piece)
126276	Trigger kit
126292	Packing kit air piston rod SATAmijet 3000 B HVLP, minijet 4 HVLP
127399	Air distribution ring (packing unit 3 pieces)
133983	Air connection piece 1/4" male thread
201467	Pressure spring (each 3 pieces) for paint needle and air piston



Tool kit

- 125856
 - Extraction tool
 - Cleaning brush
 - Wrench
 - Universal spanner



Repair kit

- 126284
 - Repair kit
- 50658
 - Sealing kit

SPRAY GUNS

CUP SYSTEMS

BREATHING PROTECTION

FILTER TECHNOLOGY

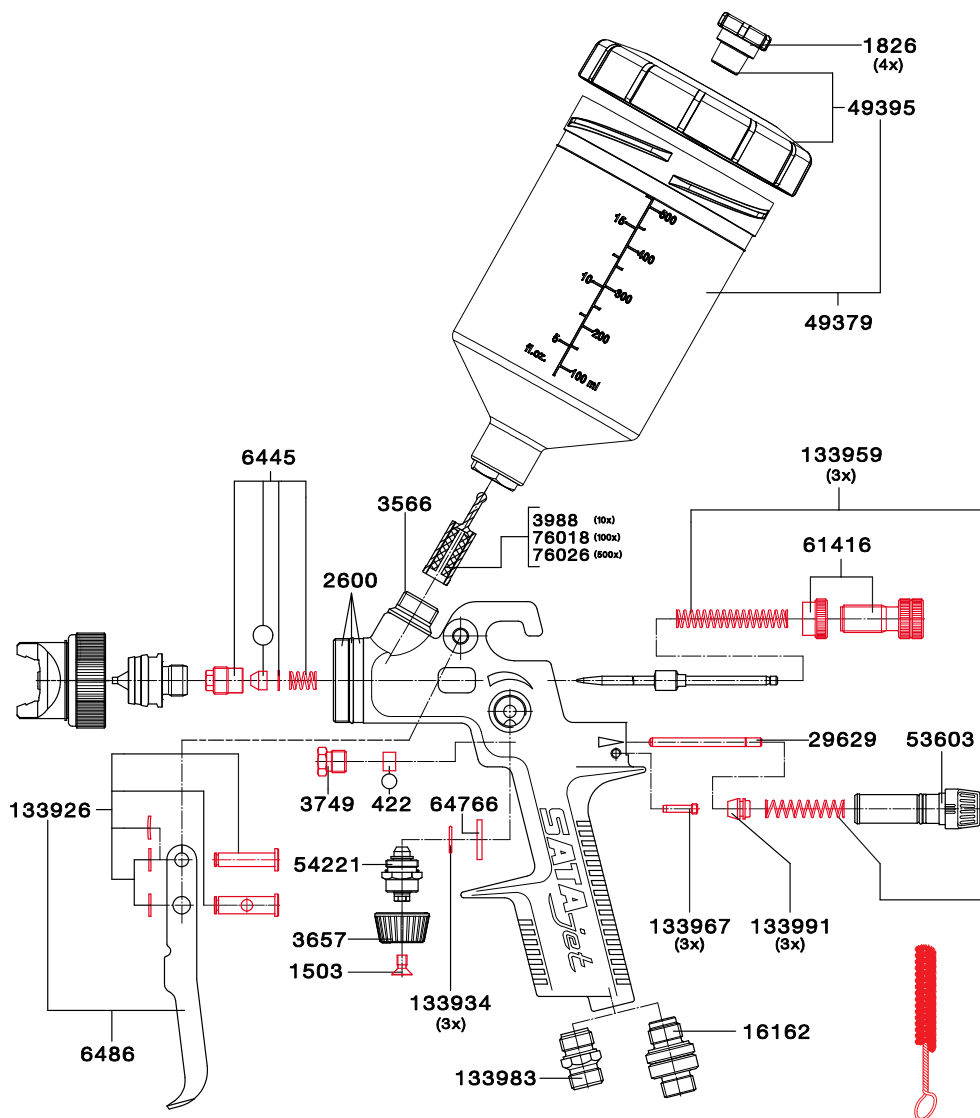
ACCESSORIES

MERCHANDISE ITEMS

Spare parts for discontinued spray gun models

**SATAjet® B /
SATAjet® GR**

422	Gasket for air piston
1503	Countersunk screw M4 x 8 DIN 965, stainless steel, for micrometer und round/flat spray control
1826	Anti-drip device (packing unit 4 pieces)
2600	Service unit for nozzle insert for SATAjet/B, H, K and NR 92, consisting of nozzle insert, distribution plate and sealing ring
3566	Inlet nipple
3657	Control knob
3749	Stuffing box for air piston SATAjet, KL, HKD and MC-B
3988	Paint strainer, 300 µm (packing unit 10 pieces)
6445	Paint needle packing
6486	Trigger kit
16162	Swivel joint
29629	Air piston rod
49379	0.6 l reusable plastic cup, cpl.
49395	Screw-on lid for 0.6 l PVC cup with drip-catching ring and non-drip device
53603	Air micrometer
54221	Spindle complete, for SATAjet/90, SATAjet, regulation valve and MC-B
61416	Material flow control with counter nut
64766	Washer
76018	Paint strainer, 300 µm (packing unit 100 pieces)
76026	Paint strainer, 300 µm (packing unit 500 pieces)
133926	Trigger sleeve kit
133934	Sealing (packing unit 3 pieces) for spindle
133959	Pressure spring (3 pieces) for paint needle and air piston
133967	Adjustment screw (packing unit 3 pieces) for air micrometer
133983	Air connection piece 1/4" male thread
133991	Air piston head (packing unit 3 pieces)



Tool kit

- 9654
- Paint strainer
 - Cleaning brush
 - Socket wrench 7 mm width
 - Internal hexagonal wrench 2/4 mm width
 - Universal spanner



Repair kit

- 69666
- Repair kit
- 9829
- Sealing kit

All prices are recommended list prices. Errors, technical modifications and printing errors reserved.






SATA adam 2, SATA adam 2 black

Technical data:






Max. pressure:	10.0 bar
Max. operating temperature:	60 °C
Display accuracy:	+/- 0.05 bar



Available versions

211540 SATA adam 2 >bar< for SATAjet 5000 series	
1031723 SATA adam 2 black >bar< for SATAjet 5000 series	
160846 SATA adam 2 >bar< for SATA spray guns except for SATAMinijet and SATAjet 5000 series	
160879 SATA adam 2 mini >bar< for SATAMinijet spray guns	
195214 SATA adam 2 U (air micrometer with adam 2 display bar)	

Spare parts & Accessories

160689 SATA adam 2 display "bar"	
1031682 SATA adam 2 black display "bar"	
160739 Battery kit for SATA adam 2	
160788 SATA adam 2 dock for SATA spray guns except for SATAMinijet and SATAjet 5000 series	
160796 SATA adam 2 dock (packing unit 2 pieces) for SATA spray guns except for SATAMinijet and SATAjet 5000 series	
160861 SATA adam 2 mini dock for SATAMinijet spray guns	



SPRAY GUNS





CUP SYSTEMS




BREATHING PROTECTION

FILTER TECHNOLOGY




ACCESSORIES

MERCHANDISE ITEMS

211565	SATA adam 2 dock for SATAjet 5000 series	
211573	SATA adam 2 dock (packing unit 2 pieces) for SATAjet 5000 series	
195230	SATA adam 2 U dock (air micrometer 1/4" male thread and G 1/4" female thread with SATA dock)	
162164	Locking clip (packing unit 5 pieces) for SATA adam 2	
162172	O-ring (packing unit 2 pieces) for SATA adam 2	
162081	SATA dock protect (packing unit 5 pieces) for SATA adam 2	
195925	SATA dock with 1/8" (male thread)	
203117	Reducing piece 1/4" (male thread) and G 1/8" (female thread)	

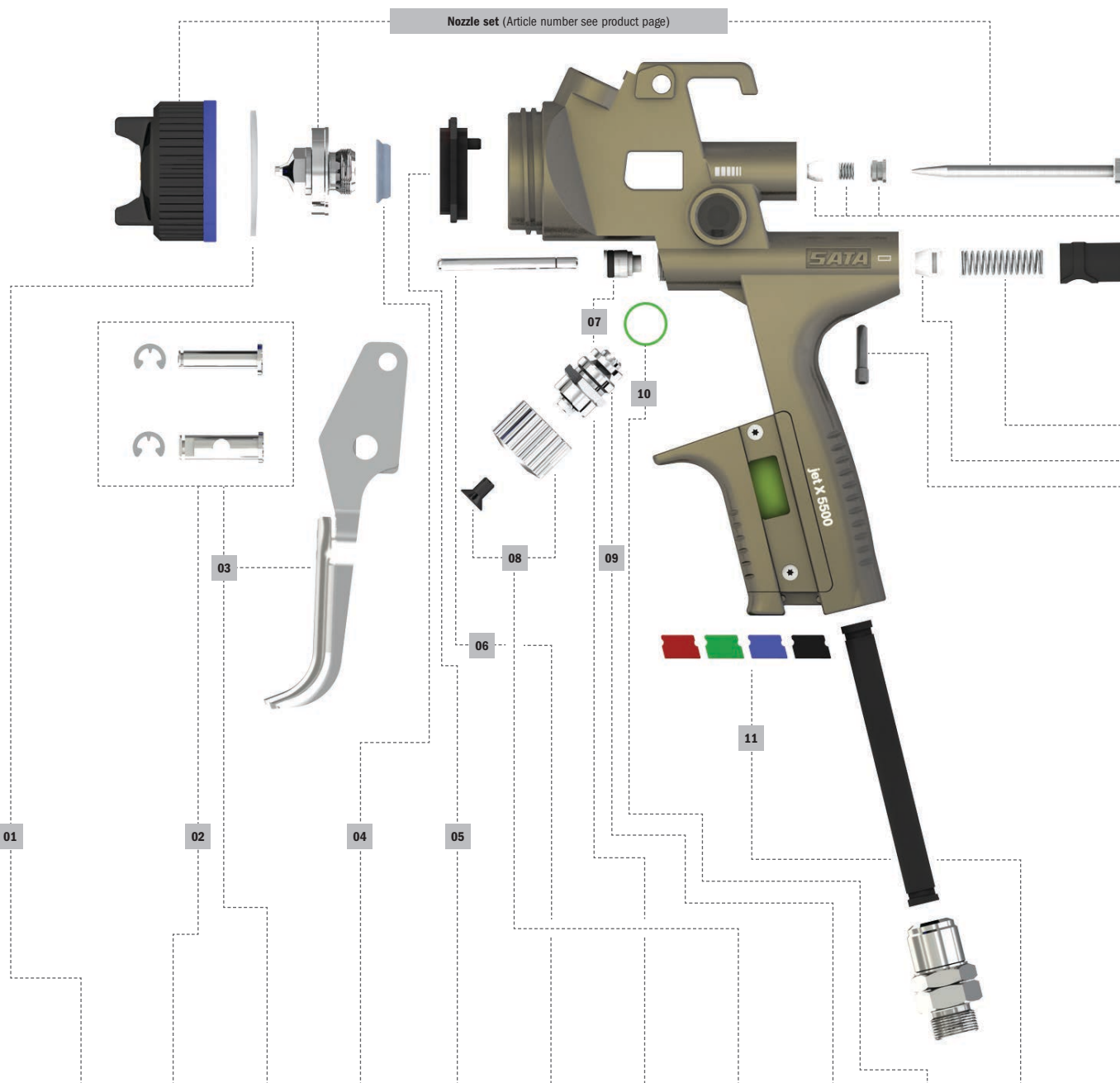
	SATAjet X 5500 PHASER SATAjet X 5500 SATAjet 5000 B PHASER SATAjet 5000 B	SATAjet 4000 B	SATAjet 3000 B	SATAjet 1000 B	SATAjet 100 B	SATAjet B, SATAjet GR	SATAmiijet 4400 B SATAmiijet 3000 B SATAmiijet 4	SATA dry jet	Competitor spray guns	Retrofitting micrometer with pressure gauge #27771	Retrofitting atomisation air control gauges #4002	Filters and systems with G 1/8" female thread
 211540 adam 2	X											
1031723 adam 2 black												
 160846 adam 2		X	X	X	X	X						
 160879 adam 2 mini							X					
 195214 adam 2 U	X	X	X	X	X	X	X	X	X			
 195925 SATA dock with 1/8" male thread										X	X	X

Pressure gauges and micrometer

27771	SATA air micrometer with gauge, 1/4" (male thread) and G 1/4" (female thread)	
4002	Spray pressure control unit	
9860	SATA air micrometer 0-845, 1/4" (male thread) and G 1/4" (female thread)	

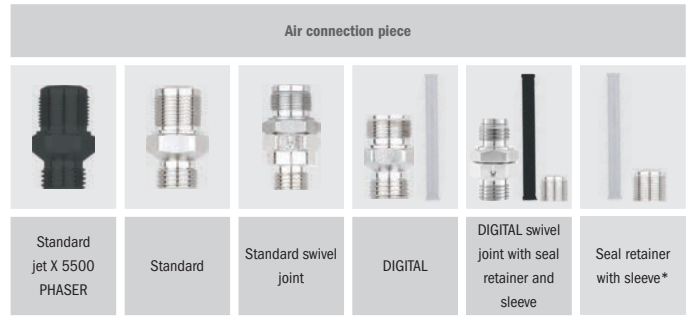
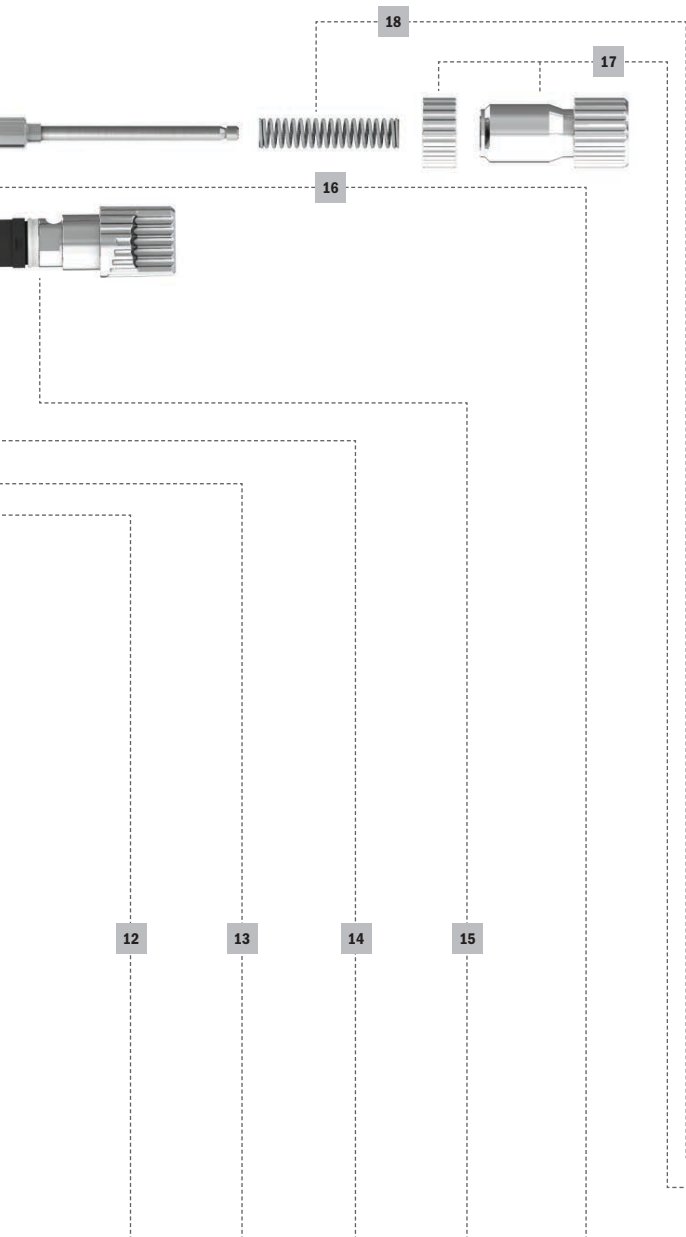
All prices are recommended list prices. Errors, technical modifications and printing errors reserved.

Spare parts for SATA spray guns with gravity flow cup



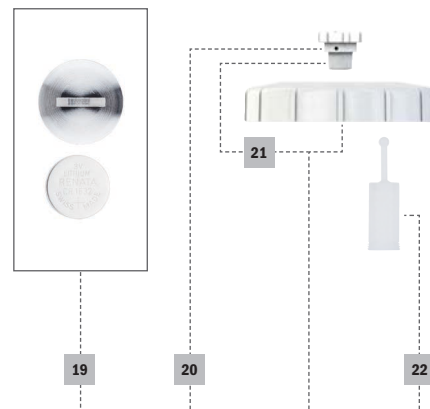
	01	02	03	04	05	06	07	08	09	10	11
	Seal ring	Trigger sleeve kit	Trigger kit	Seal element fluid tip	Air distribution ring	Air piston rod	Seal retainer	Control knob	Spindle with seal	Spindle seal	CCS clips

Gun type	01	02	03	04	05	06	07	08	09	10	11
X 5500		211458	211433					1057357			
X 5500 PHASER	211508	-	1092973			86843		1092999	213025		211409
5000 B		211458	211433	140582	211425			211482			
4000 B	172429	166009	165977		165951		133942	166033	165944	133934	165928
100 B											
1000 B	130393	133926	130492		143230	91959		140574	89771		6395
minijet 4400 B	200907	199463	198473	199455	197467	198408	199414	200162	198549	199471	197418



X 5500	-	134098	19745	211490	211516	211441
X 5500 PHASER	1092981	-		-	-	-
5000 B				211490	211516	211441
4000 B				166116	203422	165985
100 B	-					
1000 B		134098	16162	-	-	-
minijet 4400 B						

* only for DIGITAL with swivel joint



12	13	14	15	16	17	18	19	20	21	22
Locking screw	Air piston head	Pressure spring air piston	Air micrometer (air flow control knob)	Paint needle packing	Material flow control	Pressure spring paint needle	Battery kit	Anti-drip device	Screw-on lid	Strainer 300µm

211391	133991	133959*	211466	15438	211474	133959*	1057414	1826	49395	3988 (10x)	X 5500
			1093012		1093004		-				X 5500 PHASER
			211466		211474		213769				5000 B
			166017		166025		165993				4000 B
133967			139964		139188				76018 (100x)	76026 (500x)	100 B
199430	199448	201467**	198523	199414	199406	201467*		197558	199075		minijet 4400 B

Gun type

* in a set

Accessories for spray guns

Air connection

6981

SATA quick coupling nipple G 1/4" (female thread) (packing unit 5 pieces)



99895

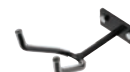
Flexible quick coupling nipple G 1/4" (female thread)



Storage

9886

SATA gravity gun holder for gravity cup spray guns



40188

SATA spray gun display holder



192195

SATA universal spray gun and hose holder for all SATA spray guns



69328

SATA spray gun holder for SATAMinijet 4400 B, minijet 3000 B, jet 20 B



134916

Triple spray gun holder for wall mounting

**NEW**

1103522

SATA universal spray gun holder, foldable, magnetic

1110527

SATA universal gun holder, foldable



134882

Spray gun holder with strainer holder



134932

Insert for spray gun holder with strainer holder for SATAMinijet

1750

Spray gun holder, complete



186833

Spray gun stand acrylic w 10 x h 7.5 x d 14 cm



▶ Further quick couplings see page 139.

Quality Control

161596
SATA cert, with archive, spray pattern block, single sheet holder and distance marker



161646
Spray pattern blocks with 25 sheets (packing unit 2 pieces) for SATA cert

161661
Distance marker for SATA cert

Other Accessories

3988
Paint strainer, 300 µm (packing unit 10 pieces) for SATA spray guns except for SATAMinijet 3000 B

76018
Paint strainer, 300 µm (packing unit 100 pieces)

76026
Paint strainer, 300 µm (packing unit 500 pieces)



9845
SATA viscosity cup 4.0 mm, flow time tolerance < 1 sec.



9852
SATA viscosity cup 4.0 mm, flow time tolerance < 1.5 sec.



59675
SATA dosenboy, to cut out can lids from cans up to 36 cm height



59659
Wheel for SATA DOSENBOY

59667
Blade for SATA dosenboy

16477
SATA compressed air-driven hand agitator



1040815
Air cap protector UV, black (packing unit 5 pieces) for SATAjet 3000, 4000, 5000 series

1040807
Air cap protector UV, black (packing unit 5 pieces) for SATAjet 100 and 1000 series

1044594
Air cap protector UV, black (packing unit 5 pieces) for SATAMinijet 4400 B

1054006
Air cap protector, black (packing unit 5 pieces) for SATAjet 3000, 4000, 5000 series

1054014
Air cap protector, black (packing unit 5 pieces) for SATAjet 100 and 1000 series

1054030
Air cap protector, black (packing unit 5 pieces) for SATAMinijet 4400 B

1054022
Air cap protector, black (packing unit 5 pieces) for SATAMinijet 1000/3000 B



Cleaning and Maintenance of Spray Guns

Storage

60095

SATAclean wet holding tray for 3 spray guns



Cleaning accessories

162628

SATA care set spray gun care bag containing 1 large cleaning brush, 5 medium-sized cleaning brushes, 5 double-sided cleaning brushes, 12 nozzle cleaning needles, 1 tube high performance grease, silicone- and acid-free, 100 g



48173

SATA high performance grease, silicone- and acid-free, 100 ml for spray guns Please observe: The supplied product has a limited use-by date!



9894

SATA nozzle cleaning needles (pack of 36 pieces, packed to 12 pieces each)



62174

SATA nozzle cleaning needles (pack of 12 pieces)



64030

SATA cleaning kit with 2 cleaning brushes, medium and 12 nozzle cleaning needles



6007

Cleaning brush (packing unit 10 pieces) for spray guns



9209

Cleaning brush, double-sided (pack of 10 pieces) for spray guns



158840

Cleaning brush, large (packing unit 5 pieces) for spray guns



29280

Cleaning brush (packing unit 10 pieces) for suction pipe of suction cup spray guns

▶ Please also observe the SATA cleaning devices on page 132.

Disassembly of nozzle set



1 First remove paint needle.



2 Followed by the cap.



3 And finally, unscrew fluid tip with the ring spanner integrated in the universal spanner.

Cleaning and drying



1 Clean the material passage



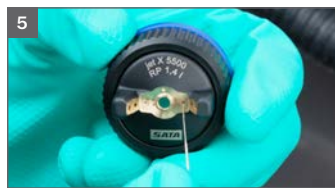
2 Clean the spray gun body



3 Dry with blow gun

When cleaning the spray gun manually, please ensure not to use brushes made of metal wires which could possibly damage the spray gun. Furthermore, please make sure that no cleaning fluid ends up in the air passages of the spray gun body.

Cleaning of the nozzle set



When cleaning the nozzle components, please make sure that metal parts of brushes do not damage the nozzle set. Ideally, please use specially designed SATA cleaning brushes and SATA nozzle cleaning needles to ensure optimum cleaning and maintenance of the nozzle set.

Please watch our video at www.sata.com/TV concerning "Cleaning and Maintenance of Spray Guns". Or simply order the cleaning brochure (Art. No. 158162) or the cleaning poster (Art. No. 168070) free of charge!
www.sata.com/firstaid

Assembly and maintenance



1 Assembly of the fluid tip



2 Tighten fluid tip by hand using the universal spanner.



3 Assembly of the air cap



4 Grease paint needle around the needle packing area



5 Insert paint needle



6 Grease and insert paint needle spring



7 Grease thread of material flow control screw



8 Install material flow control screw



9 Grease visible part of air piston rod

SPRAY GUNS

CUP SYSTEMS

BREATHING PROTECTION





FILTER TECHNOLOGY

ACCESSORIES

MERCHANDISE ITEMS



Cup Systems

Cup type/capacity	Fields of application	Operating mode
 <p>SATA RPS multi-purpose cups 0,3 l / 0,6 l / 0,9 l 74 – 77</p>	<p>Multi-purpose gravity cup with paint sieve for frequent colour changes. For mixing, painting and storing. No adapters required for all current SATA spray guns</p>	<ul style="list-style-type: none"> Optionally available with QCC bayonet lock and male thread Adapters for older SATA spray gun models and spray guns from other manufacturers are available
 <p>SATA reusable cup 0.125 l / 0.15 l / 0.3 l / 0.6 l / 0.75 l / 1.0 l 78</p>	<p>Reusable plastic or aluminium gravity flow cups for SATA spray guns</p>	<ul style="list-style-type: none"> Optionally available with QCC bayonet lock and male thread or with female thread for older SATA spray gun models
 <p>SATA agitator cup 0.7 l 81</p>	<p>Reusable aluminium gravity flow cup with integrated agitator for the application of materials with settling components, e.g. effect paints. Agitator with air regulation valve for speed adjustment</p>	<ul style="list-style-type: none"> Optionally available with QCC bayonet lock and male thread
 <p>SATA BVD adapter 0.7 l 82</p>	<p>Pressurised reusable aluminium gravity flow cup for the application of high-viscosity materials</p>	<ul style="list-style-type: none"> Optionally available with QCC bayonet lock and male thread or with female thread for older SATA spray gun models

Collect coins with every cup now!

SATA Loyalty Program
coins & more

Further Information:
www.sata.com/loyalty



SATA® RPS® Multi-Purpose Cup System

Suitable for all paint materials! Please observe the recommendations of the paint manufacturers to choose the correct sieves (flat sieve 125 µm or plug-in sieve 200 µm).

Minimum order quantity for RPS cartons: 4 pieces!



Available versions

SATA RPS 0,3 l

Packing unit 60 pieces

1010553

SATA RPS 0.3 l minijet, 125 µm flat sieve



Packing unit 60 pieces

1010561

SATA RPS 0.3 l minijet, 200 µm plug-in sieve



Packing unit 40 pieces

1010389

SATA RPS 0.3 l standard, 125 µm flat sieve

Packing unit 100 pieces

1010420

SATA RPS 0.3 l standard, 125 µm flat sieve

PU 40 pieces



Packing unit 40 pieces

1010397

SATA RPS 0.3 l standard, 200 µm plug-in sieve

Packing unit 100 pieces

1010404

SATA RPS 0.3 l standard, 200 µm plug-in sieve

PU 40 pieces



PU 100 pieces

SATA RPS 0.6 l

Packing unit 60 pieces

1010438

SATA RPS 0.6 l 125 µm flat sieve



Packing unit 60 pieces

1010488

SATA RPS 0.6 l 200 µm plug-in sieve



SATA RPS 0.9 l

Packing unit 40 pieces

1011973

SATA RPS 0.9 l, 125 µm flat sieve



Packing unit 40 pieces

1011981

SATA RPS 0.9 l, 200 µm plug-in sieve



SATA RPS 0.6 l UV

Packing unit 60 pieces

1010496

SATA RPS UV 0.6 l 125 µm flat sieve



Packing unit 60 pieces

1010503

SATA RPS UV 0.6 l 200 µm plug-in sieve



Spare parts

SATA® RPS®

1013226
Spare lid for SATA RPS 0.6 I / 0.9 I (packing unit 80 pieces)

131979
Spare flat sieve 125µm, pastel blue (packing unit 100 pieces) for SATA RPS 0.6I / 0.9 I

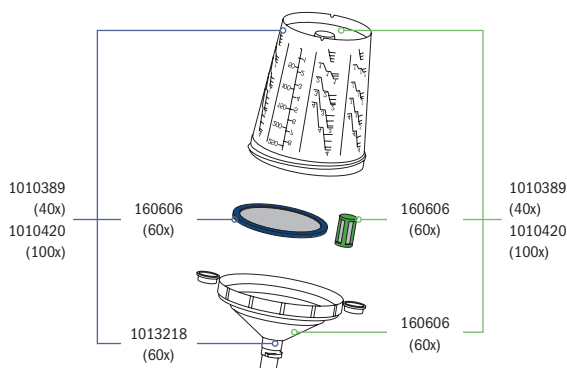
131987
Spare plug-in sieve 200 µm, pastel green (packing unit 100 pieces) for SATA RPS 0.3 I / 0.6 I / 0.9 I

160606
Spare flat sieve 125 µm, pastel blue (packing unit 60 pieces) for SATA RPS 0.3 I

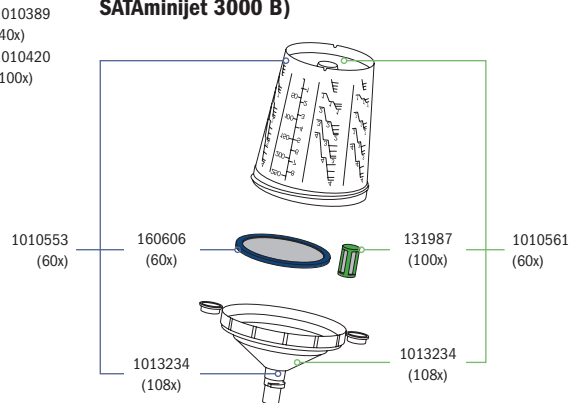
1013218
Spare lid for SATA RPS 0.3 I Standard (packing unit 60 pieces)

1013234
Spare lid for SATA RPS 0.3 I minijet (packing unit 108 pieces)

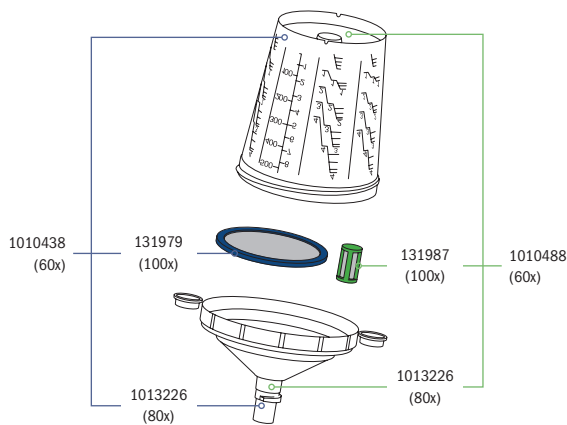
SATA RPS 0.3 I Standard



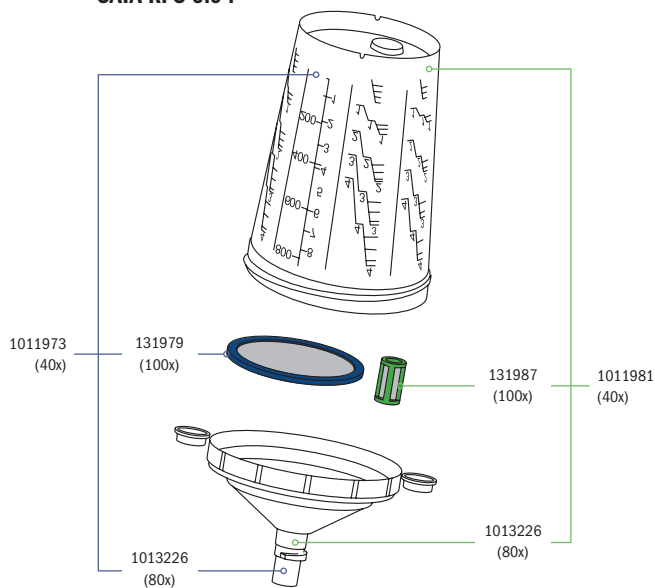
SATA RPS 0.3 I minijet (for SATAminijet 3000 B)



SATA RPS 0.6 I



SATA RPS 0.9 I



SATA® RPS® Accessories

Technical data:

SATA RPS wall dispenser	W x H x D: 80 x 100 x 18 cm
SATA RPS extension kit:	W x H x D: 40 (120) x 100 x 18 cm
SATA RPS rotawall adapter kit:	W: Ø 65 cm; H: 136 cm
SATA RPS rotafloor adapter kit:	W: Ø 65 cm H max.: 210 cm; H min.: 123 cm



Available versions

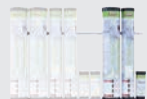
195784

SATA RPS wall dispenser, standard version: 2x cup tubes / 2x lid tubes / 2x sieve tubes and 2x aluminium slats



195776

SATA RPS extension kit, add-on kit: 1x cup tube / 1x lid tube / 1x sieve tube for flat sieves, with aluminium slat



196543

SATA RPS rotawall adapter kit: carousel ground spindle and wall holder (top and bottom)



Tubes are not included in the scope of delivery.

196550

SATA RPS rotafloor adapter kit: carousel, base spindle, steel pipe
+ **197723 (floor plate)**



Tubes are not included in the scope of delivery.

Accessories for SATA RPS

144840

SATA RPS depot to store RPS boxes



127852

Spray bottle 1.0 l



127860

Pump-spray cleaning bottle, not suitable for thinner



165399

SATA RPS mix lid, flat lid (packing unit 50 pieces) allows stacking of RPS 0.6 l and 0.9 l cups



Accessories for SATA RPS

213629	Fixing kit for dispenser tubes lid/cup with adhesive pad, adhesive foil, holder for SATA RPS dispenser	
213637	Cup holder for tube for SATA RPS dispenser	
213645	Absorption brush for lid standard for SATA RPS dispenser	
213652	Absorption brush for lid mini for SATA RPS dispenser	
213660	Dispenser tube for lids for SATA RPS dispenser	
213678	Cardboard tube for cups for SATA RPS dispenser	
213686	Tube for plug-in and flat sieves for SATA RPS dispenser	
215483	Fixing rivet (packing unit 4 pieces) for absorption brush for SATA RPS dispenser	
215616	Spare part flat sieve dispenser bottom (1x) for SATA RPS dispenser	
1008285	Support frame for lid dispenser for SATA RPS dispenser	
1008227	Dispenser flap for plug-in sieve for SATA RPS dispenser	
1008219	Dispenser bowl for plug-in sieve for SATA RPS dispenser	
1028605	Bracket for plug-in sieve dispenser tray for SATA RPS dispenser	

Gravity flow cup for spray guns

SPRAY GUNS

CUP SYSTEMS









BREATHING PROTECTION

FILTER TECHNOLOGY






ACCESSORIES

MERCHANDISE ITEMS

		Gun type			
Capacity	Art. No.	QCC/ w/o connection thread, suitable for: SATAjet X 5500 PHASER, SATAjet X 5500, SATAjet 5000 B, jet 4000 B, jet 3000 B, jet 2000, jet 1000 B, jet 100 B, jet RP, SATAminijet 4400 B	QCC/ with connection thread, suitable for: SATAjet 2000, jet RP, KLC, LM 2000 B, jet 90	SATAjet B, jet GR, jet NR 95	SATAminijet 3000 B, minijet 1 - 4, jet 20 B
PVC reusable cup					
0,125 l	197541				
0,125 l	125443				
0,3 l	48587				
0,3 l	120675				
0,3 l	128470				
0,6 l	49379				
0,6 l	27243		1004960		
Multi-Purpose Cup					
0,3 l	1010553				each 60 x
0,3 l	1010561				each 60 x
0,3 l	1010389	each 40 x		+ 125211	
0,3 l	1010397	each 40 x		+ 125211	
0,3 l	1010420	each 100 x		+ 125211	
0,3 l	1010404	each 100 x		+ 125211	
0,6 l	1010438	each 60 x		+ 125211	+ 135798
0,6 l	1010488	each 60 x		+ 125211	+ 135798
0,9 l	1011973	each 40 x		+ 125211	+ 135798
0,9 l	1011981	each 40 x		+ 125211	+ 135798

		Gun type			
Capacity	Art. No.	QCC/ w/o connection thread, suitable for: SATAjet X 5500, SATAjet 5000 B, jet 4000 B, jet 3000 B, jet 2000, jet 1000 B, jet 100 B, jet RP, SATAminijet 4400 B	QCC/ with connection thread, suitable for: SATAjet 2000, jet RP, KLC, LM 2000 B, jet 90	SATAjet B, jet GR, jet NR 95	SATAminijet 3000 B, minijet 1 - 4, jet 20 B
PVC reusable cup					
0,15 l	198911				
0,15 l	125948				
0,75 l	6601				
0,75 l	137729		 1013432		
1,0 l	46631				
1,0 l	96685		 1013432		
	71555	Plastic lid (packing unit 3 pieces) for 0.75 l and 1.0 l reusable aluminium cup			

RPS® Adapters for SATA Spray Guns

Adapter	Manufacturer										
Adapters with QCC for SATA spray guns without QCC for a quick change of SATA RPS 0.9 l and 0.6 l and 0.3 l "Standard"	SATA										
	SATAjet B / GR	SATAjet H / SATAjet 1000 H	SATAminijet 2, 3, 4, SATAminijet 3000, SATAjet 20 B	SATAminijet 1000 H	SATAjet 2000 HVLP without QCC	SATAjet RP without QCC	SATA LM 2000 HVLP/RP	SATA KLC HVLP/RP, KLC P	SATAjet 90	SATAjet B NR 92 HVLP, NR 95 HVLP	SATA LM B 92
 125211 (No. 1) M 16 x 1.5 female thread	X									X	
 125237 (No. 2) M 15 x 1.5 male thread					X	X	X	X	X		
 133595 (No. 7) 12 x 1.5 male thread											X
 135798 (No. 10) M 10 x 1 male thread			X								
 188318 (No. 17) G 1/4 female thread				X							

All prices are recommended list prices. Errors, technical modifications and printing errors reserved.

RPS® Adapters for NON SATA GUNS

SPRAY GUNS

















CUP SYSTEMS

BREATHING PROTECTION

FILTER TECHNOLOGY

ACCESSORIES

MERCHANDISE ITEMS

Adapter	Manufacturer																						
	PRI, GTI, GFR, GFV, GFHV 510, DV 1	SRI	Devibiss Starting Line HVLP Spray Gun	Starting Line Mini Spray Gun	W 400, WR 400, LPA 94, VXL Primer Gun, LPH 400 W 300, LPH 300, LS 400 Supremova, WS 400	W 100, LPH 100	LPH 80	FX GEO, FX HVLP	Genesi Carbon	Walcom III F	Weather Pilot M 21 G	Kremlin 3M PPS	Graco Ecogun 910	Dürr Finex FX 300	Sharpe Platinum, Titanium	475 Mini-Gun	Sagola 403 G, 433 G, 434 G, 444 G, 450 G, 4100 G	4400 G Extreme, 4500 G Extreme	Eminent E13	Asturo OM Green	Algunsas AZ40 HTE	Dux Gravity flow cup spray gun	
 125211 (No. 1) M 16 x 1.5 female thread					X																		
 125237 (No. 2) M 15 x 1.5 male thread								X															
 125252 (No. 3) 3/8" male thread	X																						
 125278 (No. 4) 1/4" male thread					X														X		X		
 125294 (No. 5) M 12 x 1 male thread								X												X			
 126326 (No. 6) 3/8" male thread												X											
 133595 (No. 7) 12 x 1.5 male thread																	X					X	
 133827 (No. 8) G 3/8" female thread													X	X									
 135111 (No. 9) NPSF 3/8" - 18 male thread															X								
 135798 (No. 10) M 10 x 1 male thread																X							
 150136 (No. 13) M 15 x 1.5 male thread			X																				
 150151 (No. 14) M 11 x 1 male thread				X																			
 164608 (No. 15) 7/16" - 14 UNC male thread		X																					
 188664 (No. 18) M 18 x 1.5 Female thread																	X						
 193276 (No. 19) 1/8" male thread							X																
 215079 (No. 20) 1/4" male thread									X	X													

SATA® Agitator Cup

Agitator cup

9951
SATA agitator-cup for SATAjet B and GR/B-92 (supplementary equipment)

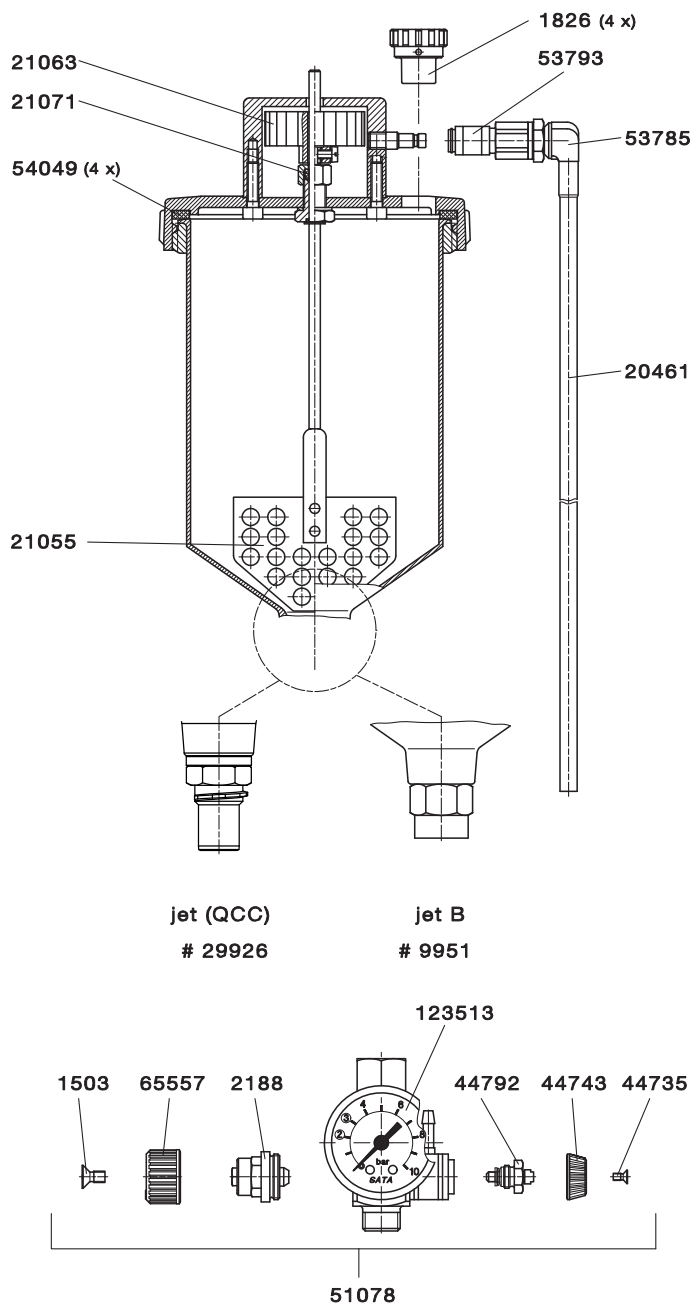
29926
SATA agitator cup, conversion kit for SATAjet 5000 B, 4000 B, jet 3000 B, jet 2000, jet RP, jet 1000 B, LM 2000 B



Spare parts

SATA® Agitator cup

1503	Countersunk screw M4 x 8 DIN 965, stainless steel, for micrometer und round/flat spray control
1826	Anti-drip device (packing unit 4 pieces)
2188	Spindle
9951	SATA agitator-cup for SATAjet B and GR/B-92 (supplementary equipment)
20461	Plastic air hose for BVD and agitator cup
21055	Agitating vane, cpl.
21063	Driving wing, cpl. with screw
21071	Gasket agitating vane, agitator cup
29926	SATA agitator cup, conversion kit
44735	Countersunk screw M 2.5 x 5, VA
44743	Control knob
44792	Spindle complete for SATaminijet
51078	Regulation valve compl. for cup agitator
53785	Angle screw socket, LCN-1/8-PL-4, f. SATA NAD and BVD
53793	Coupling with G 1/8" (female thread)
54049	Sealing ring (packing unit 4 pieces)
65557	Control knob
123513	Pressure gauge 0-10 bar, 40 mm for regulation valve coloured stereotype plate



All prices are recommended list prices. Errors, technical modifications and printing errors reserved.

SATA® BVD™

SATA BVD conversion kit

25775

SATA BVD conversion kit with QCC without fine thread for SATAjet 5000 B, 4000 B, jet 3000 B, jet 2000, jet 1000 B, jet 100 B, jet RP



57505

SATA BVD extension-set for SATAjet B and GR/B-92

73254

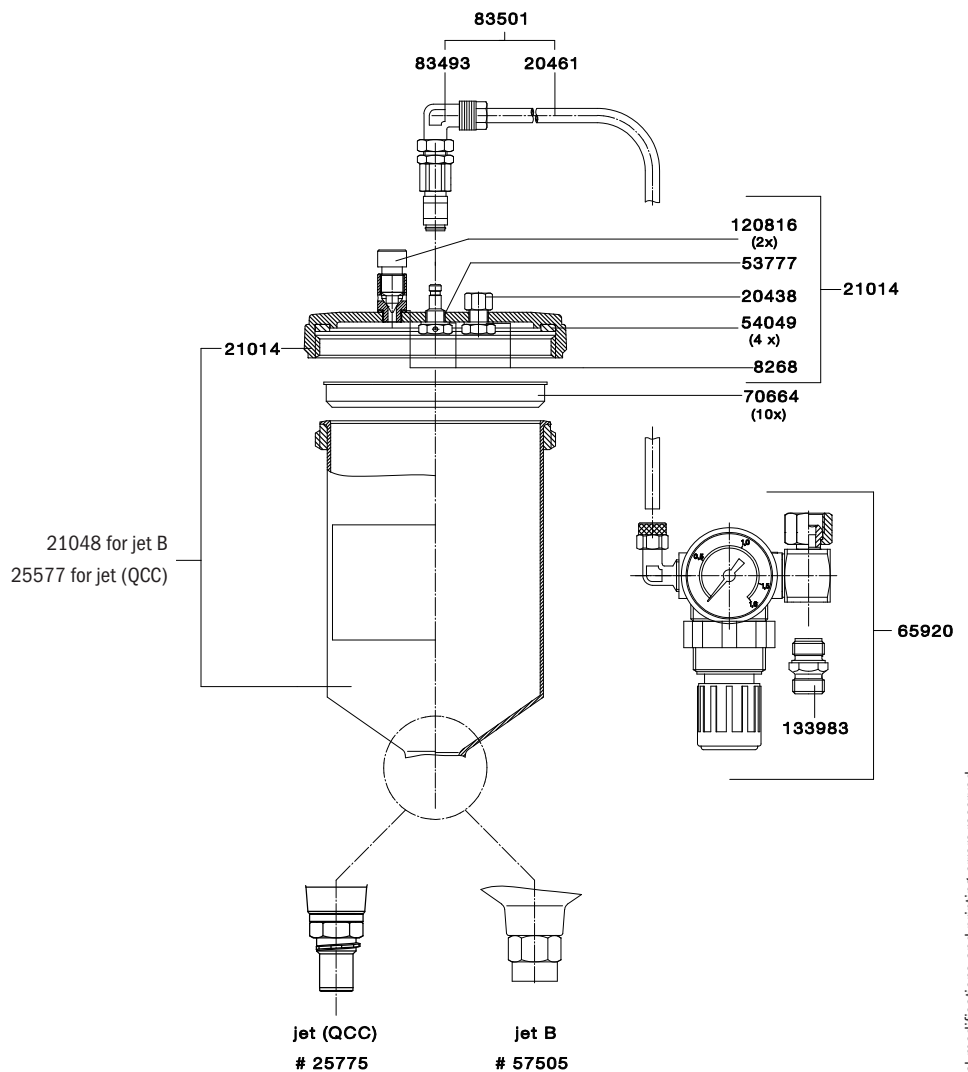
Repair kit for control fitting spray master and BVD

Spare parts

SATA® BVD™

8268	Sealing ring
20438	Safety pressure relief valve BVD
20461	Plastic air hose for BVD and agitator cup
21014	Aluminium lid, cpl.
21048	Pressurised cup with lid
25577	Pressurised cup with lid
53777*	Air connection for aluminium lid
54049	Sealing ring (packing unit 4 pieces)
65920	Control fittings, complete, for BVD pressurized cup connection kit (GR and LM)
70664	Anti-drip device (packing unit 10 pieces)
83493	Connection for pressurised cup, cpl.
83501	Air hose cpl. w. pressurized cup connection, for SATA Spray-Master
120816	Pressure release screw (packing unit 2 pieces)
133983	Air connection piece 1/4" male thread

* please also order 8268



SPRAY GUNS

CUP SYSTEMS

BREATHING PROTECTION

FILTER TECHNOLOGY

ACCESSORIES

MERCHANDISE ITEMS



SATA[®] Loyalty Program

coins & more

With the SATA Loyalty Program, SATA rewards loyal customers of certain products (currently all RPS cup systems) with loyalty coins, which can then be converted into high-quality rewards.

Allowed to participate are buyers of premium products or employees of buying companies based in a country where the program is offered, with the agreement of the company, in accordance with the conditions set out in the conditions of participation. Points are collected by scanning a QR code applied to certain eligible products.

On the outside of each RPS carton there is a booklet in which the coin value can be scanned from the QR code. Download the SATA Loyalty App, fill in the user information, scan and collect the SATA Coins. You can then exchange the coins for attractive rewards.

- 1. Download App & register**
- 2. Scan QR code & collect coins**
- 3. Convert into rewards**

Collect coins with every cup!

Purchasing a SATA RPS box of **40 cups** (SATA RPS 0.3 I, SATA RPS 0.9I) means **40 coins**, purchasing a SATA RPS box of **60 cups** (SATA RPS 0.3 I minijet, SATA RPS 0.6 I) means **60 coins** and purchasing a box of **100 cups** (SATA RPS 0.3 I XL) means **100 coins**.

Further information: www.sata.com/loyalty

Breathing Protection

SPRAY GUNS

CUP SYSTEMS

BREATHING PROTECTION

FILTER TECHNOLOGY

ACCESSORIES

MERCHANDISE ITEMS



Hood cloth
Breathable, solvent-resistant, lint-free and flame retardant. Quick exchange due to velcro attachment system.

Comfort head band
To ensure highest hygiene standards. Made of microfibre velour, dermatologically tested; can be exchanged within a few seconds only; includes foam insert for enhanced wearer comfort.

SATA CCS discs
Allows the convenient individual identification to avoid confusion; available in 4 colours.

Locking/pivot control
Allows easy visor location.

Facial seals
Follows facial contours ensuring optimum seal and comfort. Low reflection due to dark colour.

Breathing air hose
for fresh air supply. Hose guide on the rear for maximum comfort.

Diffusor block
Breathing air distribution reduces the noise level to 64 dB(A) at 2.5 bar inlet pressure.





Hood
With rigid skull cover providing impact protection whilst working in confined areas.

Headband
Can be adjusted at 4 different points ensuring perfect fit.

Visor
With large field of vision

Plug-in diffuser
optional accessory – to avoid uncomfortable air flow.

Acoustic warning signal
Instant indication of insufficient air supply.

Respirator type	Fields of application/function
 <p data-bbox="331 331 624 398">SATA air vision 5000 86 – 91</p>	<p data-bbox="667 331 1422 421">Ergonomically shaped (pressure fed) respirator hood independent from ambient air. Protects the entire head during work. Please observe the legal requirements of each country.</p>
 <p data-bbox="331 555 576 622">SATA vision 2000 92 – 93</p>	<p data-bbox="667 555 1469 645">Full face (pressure fed) respirator independent from ambient air. Protects the entire head during work. Please observe the legal requirements of each country.</p>
 <p data-bbox="331 763 539 831">SATA air star C 94 – 95</p>	<p data-bbox="667 763 1417 853">Half mask protects mouth and nose / independent from ambient air (air supplied). Protective goggles are recommended. Please observe the legal requirements of each country.</p>
 <p data-bbox="331 987 539 1055">SATA air star F 98 – 99</p>	<p data-bbox="667 987 1430 1077">Half mask protects mouth and nose / depending on ambient air (filtering mask). With pre-filter pads to extend the lifetime of the filter cartridges. Protective goggles are recommended. Please observe the legal requirements of each country.</p>

Breathing Protection without Activated Charcoal Belt Unit

SPRAY GUNS

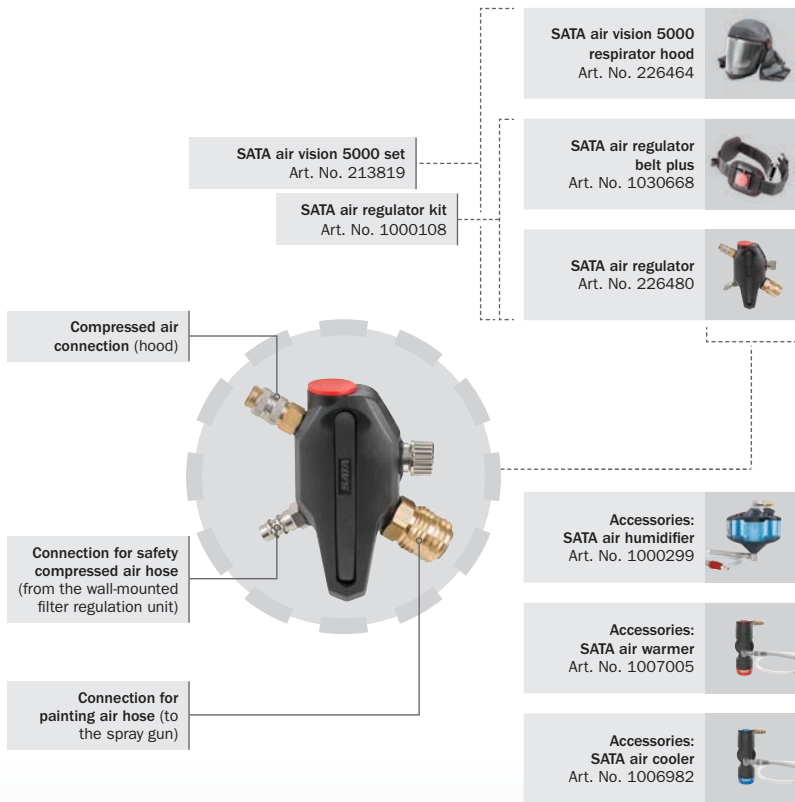
CUP SYSTEMS

BREATHING PROTECTION

FILTER TECHNOLOGY


ACCESSORIES

MERCHANDISE ITEMS



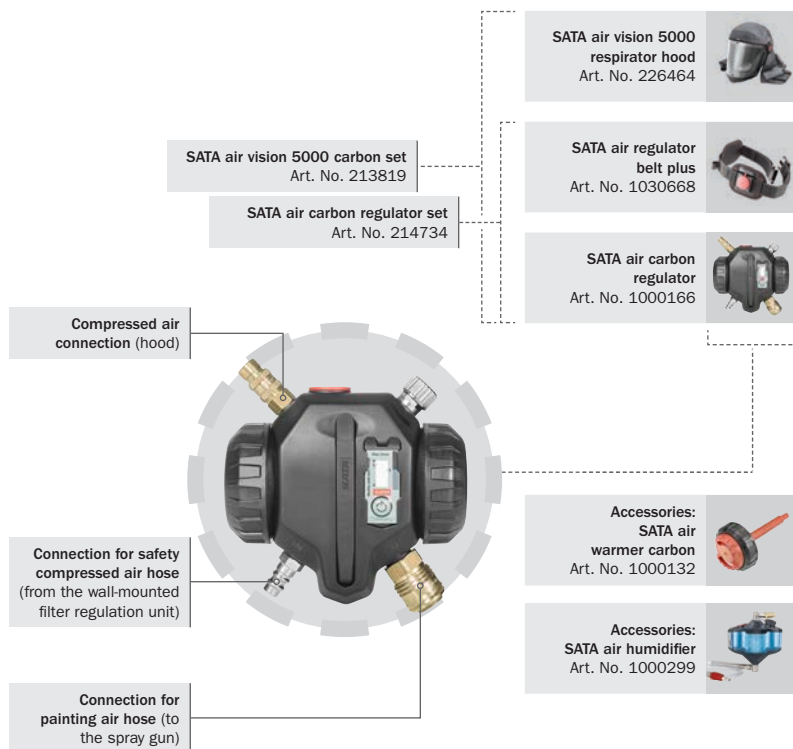
Recommended accessories

1000033 SATA air humidifier Breathing air humidification for a comfortable breathing climate	
1007005 SATA air warmer	
1006982 SATA air cooler	
49080 Safety compressed air hose crush and kink resistant, 6 m	
13870 Gun air hose 9 mm inner diameter, 1.2 m to connect a spray gun to the belt unit	










Compressed air-supplied respirator hood to combine with triple-stage compressed air filters, e.g. SATA filter 584 with integrated activated charcoal filter stage.

Breathing Protection with Activated Charcoal Belt Unit



Recommended accessories

1000033 SATA air humidifier Breathing air humidification for a comfortable breathing climate	
1000140 SATA air warmer carbon for SATA air carbon regulator Multi-stage adjustable breathing air warmer	
1006982 SATA air cooler	
49080 Safety compressed air hose crush and kink resistant, 6 m	
13870 Gun air hose 9 mm inner diameter, 1.2 m to connect a spray gun to the belt unit	
218206 Activated charcoal filter for SATA air carbon regulator	



Compressed air-supplied respirator hood to combine with double-stage compressed air filters fixed to the wall, e.g. SATA filter 544 **without** integrated activated charcoal filter stage.

SATA® air vision™ 5000

Technical data:

Required operating pressure without spray gun:	2.5 bar - 3.0 bar
Required operating pressure with spray gun (in connection with a 1.2 m spray gun air hose):	4.0 bar - 6.0 bar
Max. pressure:	10.0 bar
Required minimum air volume flow:	150 NI/min
Maximum air volume flow (at 6 bar, air distributor fully opened):	740 NI/min



Available versions

213819 SATA air vision 5000 set (Int.) Version without activated charcoal adsorber	
1000249 SATA air vision 5000 respirator hood (Int.)	
1000124 SATA air vision 5000 carbon set (Int.) Version with activated charcoal adsorber	
1000190 SATA air regulator (Int.) for SATA air vision 5000	
1000108 SATA air regulator set (Int.)	
1030668 SATA air regulator belt plus	
1000215 SATA air regulator belt (Int.) for SATA air vision 5000	

SPRAY GUNS
 CUP SYSTEMS
 BREATHING PROTECTION
 FILTER TECHNOLOGY
 ACCESSORIES
 MERCHANDISE ITEMS



All prices are recommended list prices. Errors, technical modifications and printing errors reserved.

Available versions

1000059

SATA air carbon regulator set (Int.) for SATA air vision 5000



1000132

SATA air warmer carbon (Int.) for SATA air carbon regulator



1000166

SATA air carbon regulator (Int.) for SATA air vision 5000



1000299

SATA air humidifier (Int.) for SATA air vision 5000



1007005

SATA air warmer, incl. adapter plate and hip pad for SATA air vision 5000



1006982

SATA air cooler incl. adapter plate and hip pad for SATA air vision 5000



Accessories

13870

SATA air hose, blue, 9mm, 1.2 m with quick coupling, red and nipple



49080

Safety compressed air supply hose CE 10 mm, f. SATA respirators CE version, 6 m long, cpl. according to DIN EN 139/270

176792

Safety compressed air supply hose CE 10m, ø 10 mm DIN EN 139/270 for SATA respirators



180851

Safety compressed air supply hose CE 40m, ø 10mm, DIN EN 139/270 for SATA respirators

218206

SATA Activated charcoal filter, cpl. for SATA air carbon regulator



SATA PRICE LIST 2021

Spare parts

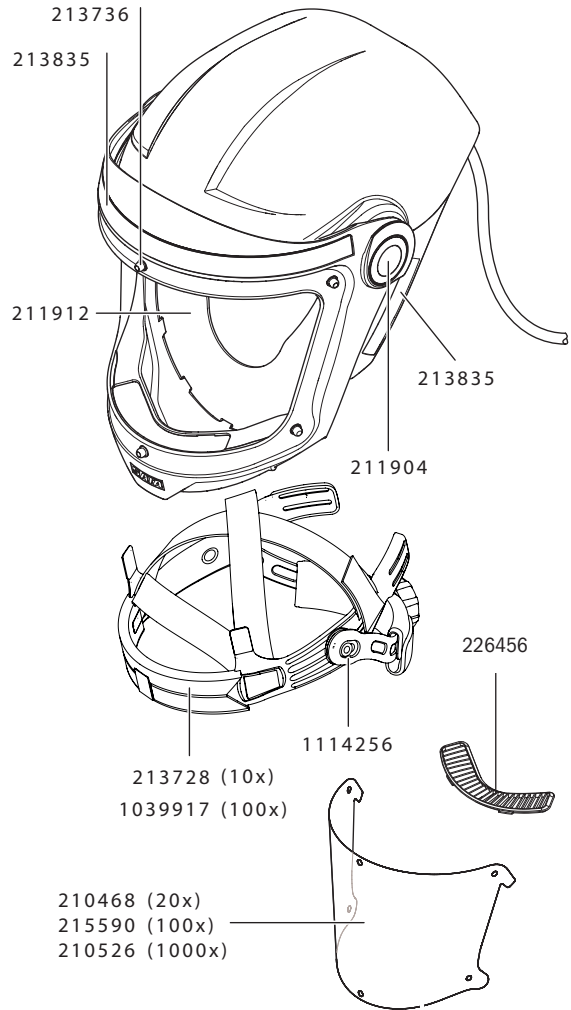
SATA air vision 5000

13623	SATA quick coupling 1/4" (male thread)
53942	Nipple G 1/4 f. GS respirator, UBE + blow-off gun, size 14
81158	Humidifier module cpl.
206151	SATA filter timer for sinter filter
208439	Belt with buckle
208447	Hip pad (packing unit 1 piece)
208462	Adapter plate
210468	Visor foil, 6 perforations (packing unit 20 pieces)
210526	Visor foil, 6 perforations (packing unit 1000 pieces)
211904	CCS disc (packing unit 4 pieces)
211912	Hygiene insert (packing unit 20 pieces)
213728	Comfort band (packing unit 10 pieces)
213736	Visor bolt (packing unit 6 pieces)
213835	Hook-and-loop tape long (packing unit 1 piece) and short (packing unit 2 pieces), adhesive on one side
213751	Hood holder for SATA air regulator
215590	Visor foil, 6 perforations (packing unit 100 pieces)
216473	Safety quick coupling for SATA air regulator and SATA air carbon regulator
226456	Plug-in diffusor
1000215	SATA air regulator belt (Int.)
226621	Humidifier kit consisting of humidifier module, lid seal and SATA filter timer
226746	Hood cloth, dark grey
1014232	Hip pad (packing unit 1 piece)
1014240	Air hose cpl. for SATA air warmer / air cooler
1018143	Filter fastener
1036947	Adapter plate
1039917	Comfort head band (packing unit 100 pieces)
1066415	Control knob, cpl.
1073197	Pad for head band (adjustment wheel)
1076521	Cylinder screw
1076589	Air hose cpl. for SATA air humidifier
1076612	Container
1076620	Lid

1076638	Safety band for bayonet lock
1076662	Pressure relief valve, cpl.
1076688	Threaded elbow joint, swiveling
1076703	Safety and quick coupling with free passage
1114256	Head fixation 2.0
1115189	Activated charcoal filter, incl. filter caps, packaging unit 2 pcs.

Spare parts for:

SATA air vision 5000 Art. No. 1000249

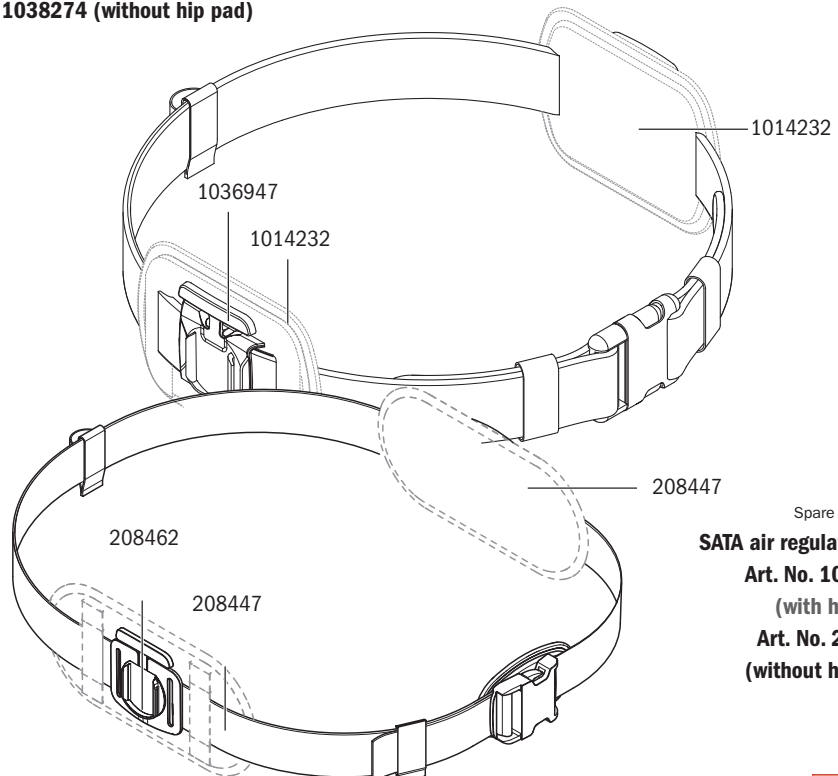


Spare parts for:

SATA air regulator belt plus

Art. No. 1030668 (with hip pad)

Art. No. 1038274 (without hip pad)



Spare parts for:

SATA air regulator belt

Art. No. 1000215

(with hip pad)

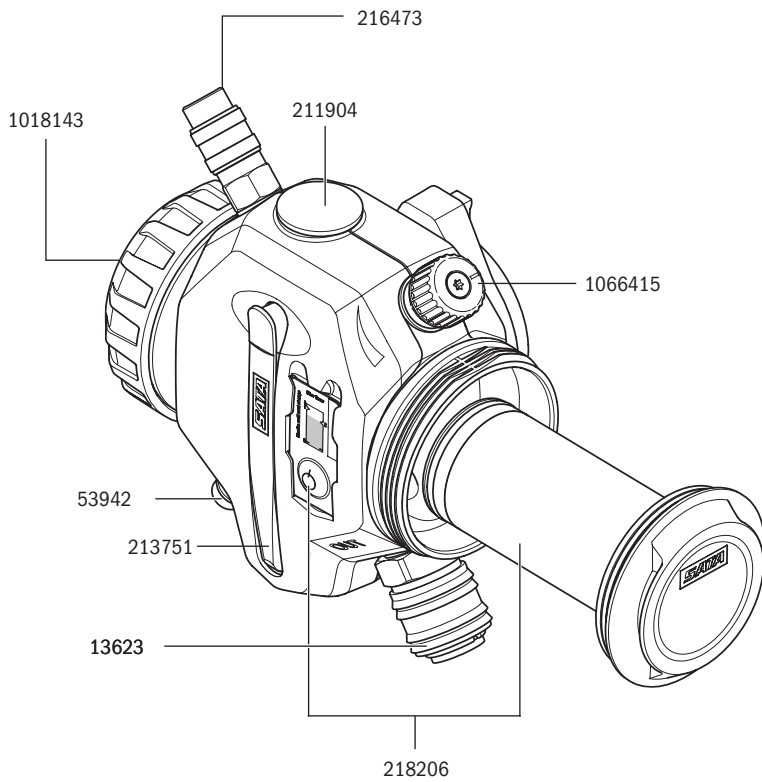
Art. No. 208439

(without hip pad)



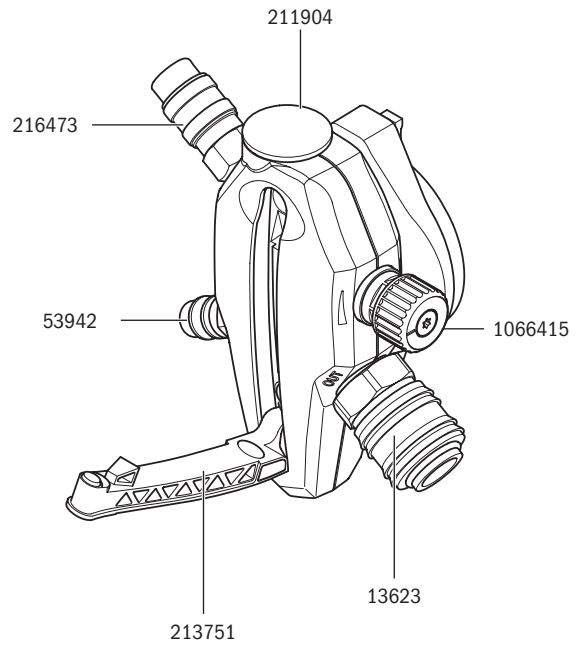
Spare parts for:

SATA air carbon regulator Art. No. 1000174



Spare parts for:

SATA air regulator Art. No. 1000190



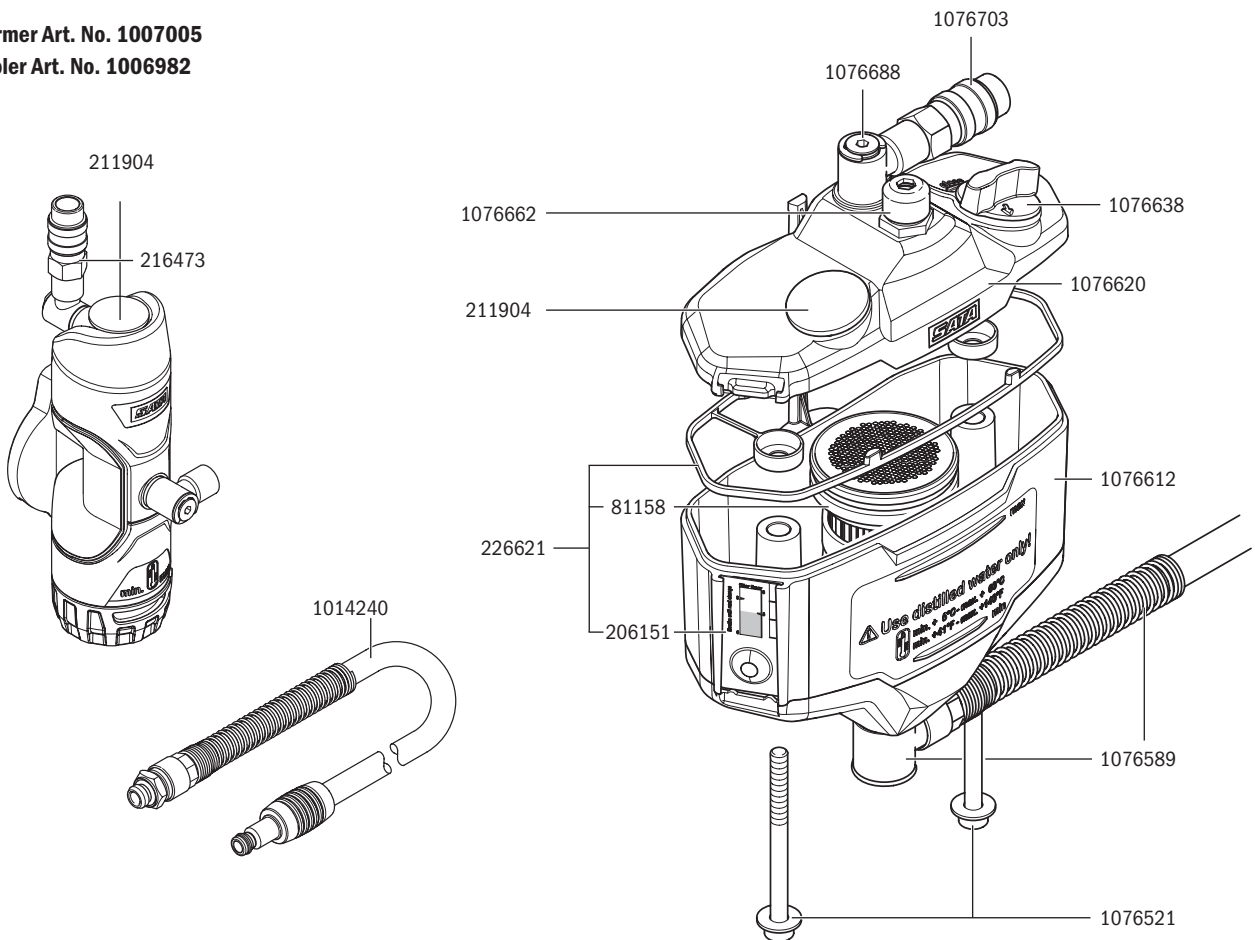
Spare parts for:

SATA air humidifier Art. No. 1000033

Spare parts for:

SATA air warmer Art. No. 1007005

SATA air cooler Art. No. 1006982



SATA® vision™ 2000

Technical data:

Required operating pressure: 4.0 bar

Required minimum air volume 170 NI/min

flow:



Available versions

69500

SATA respirator kit vision 2000, with activated charcoal adsorber
Version **with** activated charcoal belt unit



52712

Hood for full face respirator vision 2000, with head/chest cloth over hood, without belt unit

54015

Belt unit with activated charcoal adsorber and air regulation valve for SATA vision 2000 and respirator
hood CE industry with UV protection



173880

SATA respirator kit in systainer: SATA vision 2000 and belt unit with activated charcoal adsorber and air
regulation valve, SATA air warmer, SATA air hose 1.2 m

154591

SATA hood Vision 2000 with industrial belt unit, T-piece and hose coupling
Version **without** activated charcoal belt unit



52712

Hood for full face respirator vision 2000, with head/chest cloth over hood, without belt unit

122341

Belt unit with T-piece and air regulation valve for SATA vision 2000, respirator hood CE industry with UV
protection, air star C

58941

Belt unit with air regulation valve for SATA vision 2000, respirator hood CE industry with UV protection, air
star C

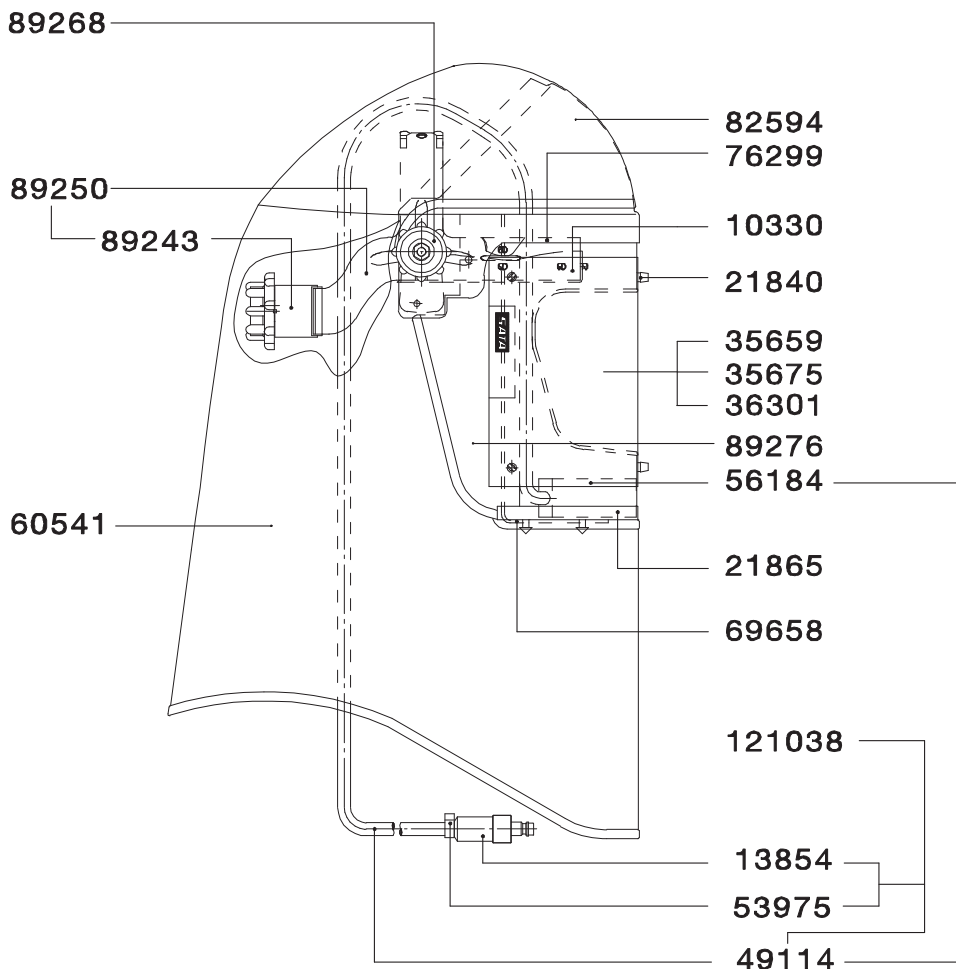
67595

SATA respirator hood CE, head cloth w. chest cover

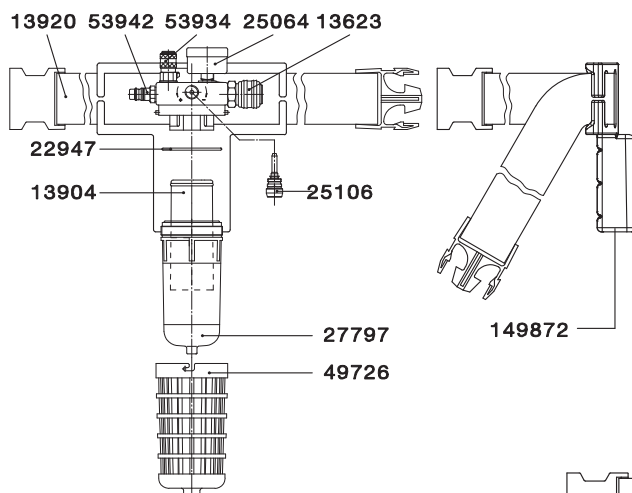
▶ Accessories for SATA vision 2000, SATA air star C and SATA air star F see page 96.

Spare parts
SATA® vision 2000

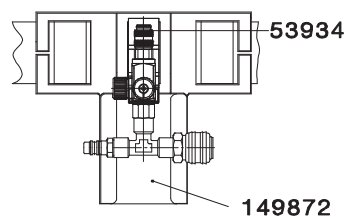
6981	SATA quick coupling nipple G 1/4" (female thread) (packing unit 5 pieces)
10330	Sweat ribbon, microfibre-velour (packing unit 10 pieces)
13623	SATA quick coupling 1/4" (male thread)
13854	Silencer
13904	Activated charcoal cartridge
13920	Belt with buckle
21840	Set of plug-in nipples, complete, for Vision 2000
21865	Bottom part (packing unit 2 pieces)
22947	O-ring
25064	Pressure gauge 0 - 6 bar, 40 mm, green area 1.3 - 2.6 bar
25106	Spindle, complete, for adsorber (CE) of half mask + full face respirator
27797	Adsorber glass
35659	Visor foil, 6 perforations (packing unit 5 pieces)
35675	Visor foil, 6 perforations (packing unit 25 pieces)
36301	Visor foil, 6 perforations (packing unit 1000 pieces)
49114	Breathing air hose with acoustic warning device and foam sleeve, without noise reducer/coupling
49726	Protective cage f. respirator filter unit
53934	Safety quick coupling for SATA full face respirator
53942	Nipple G 1/4 f. GS respirator, UBE + blow-off gun, size 14
53975	Hose clamp 10.5 GER
56184	Foam sleeve for CE respirator
60541	Head / chest scarf, grey, over hood
69658	Hood inlay, black (20 pieces)
76299	Foam stripes, one side self-adhesive 8 x 25 x 345 mm, for respirators
82594	Hood with velcro tape, loose, for Vision 2000 respirator
89243	Adjustable part for head strap of Vision 2000 respirator
89250	Head strap, cpl., for Vision 2000 respirator
89268	Screwing (2 pieces)
89276	Carrier frame with side parts, plug-in nipples and bottom part, for Vision 2000 respirator
121038	Breathing air hose, cpl. with acoustic warning device, foam sleeve and noise reducer/coupling
149872	Belt cushion



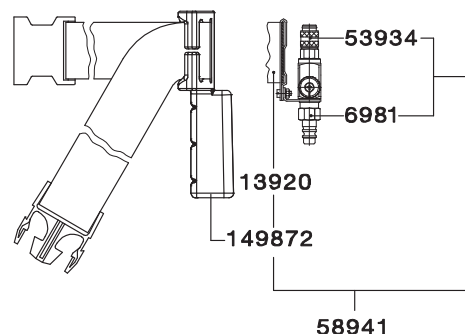
Spare parts for:
Belt unit Art. No. 54015



Spare parts for:
Belt unit Art. No. 122341



Spare parts for:
Belt unit Art. No. 58941



All prices are recommended list prices. Errors, technical modifications and printing errors reserved.

SATA® air star C

Technical data:

Required minimum operating pressure: 4.0 bar

Required minimum air volume flow: 150 NI/min

Maximum air volume flow: 305 NI/min



Available versions

137554

SATA respirator kit: SATA air star C and belt unit with activated charcoal filter and air regulation valve, disposable hood

Version **with** activated charcoal belt unit



137588

SATA air star C half mask with breathing hose, without filter



55798

Belt unit with activated charcoal adsorber and air regulation valve for SATA air star C



137570

SATA air star C half mask and belt unit with T-piece, special version

Version **without** activated charcoal belt unit



122341

Belt unit with T-piece and air regulation valve for SATA vision 2000, respirator hood CE industry with UV protection, air star C



58941

Belt unit with air regulation valve for SATA vision 2000, respirator hood CE industry with UV protection, air star C

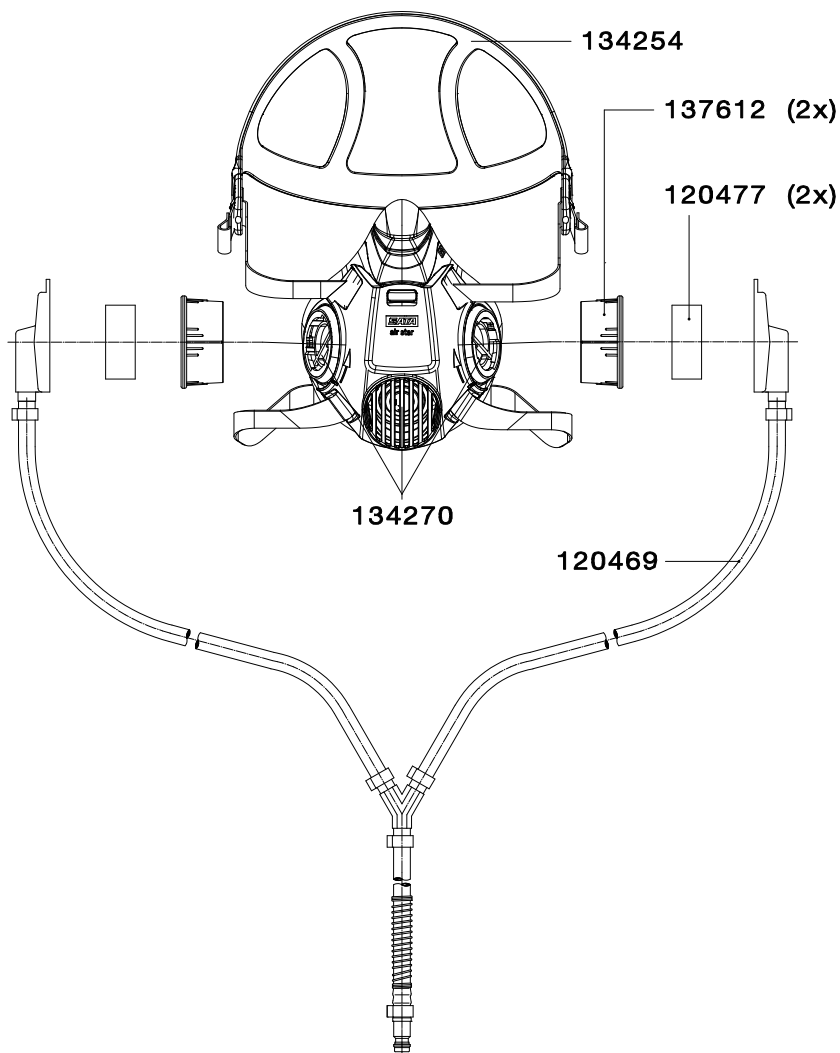


▶ Accessories for SATA vision 2000, SATA air star C and SATA air star F see page 96.

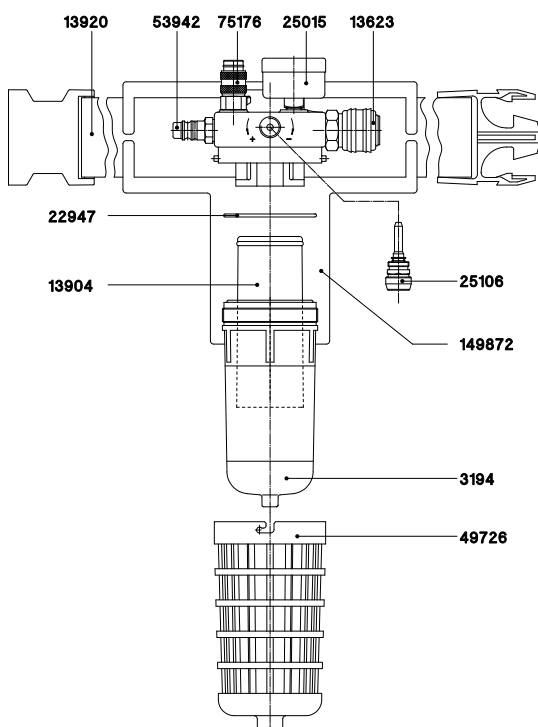
Spare parts

SATA® air star C

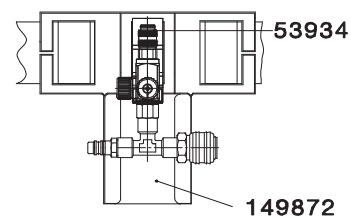
3194	Adsorber glass
6981	SATA quick coupling nipple G 1/4" (female thread) (packing unit 5 pieces)
13623	SATA quick coupling 1/4" (male thread)
13904	Activated charcoal cartridge
13920	Belt with buckle
22947	O-ring
25015	Pressure gauge 0 - 6 bar, 40 mm, green area 1 - 3 bar
25106	Spindle, complete, for adsorber (CE) of half mask + full face respirator
49726	Protective cage f. respirator filter unit
53942	Nipple G 1/4 f. GS respirator, UBE + blow-off gun, size 14
53934	Safety quick coupling for SATA full face respirator
75176	Safety quick closure coupling NW 5, type 21, for adsorber of half mask respirator, version GS
120469	Breathing air hose, cpl.
120477	Air distributor (packing unit 2 pieces)
134254	Head strap with fixing unit and yoke for SATA air star C
134270	Inhalation and exhalation diaphragms (packing unit 5 pieces or 10 pieces, resp.) Please observe: The supplied product has a limited use-by date!
137612	Connection (packing unit 2 pieces)
149872	Belt cushion



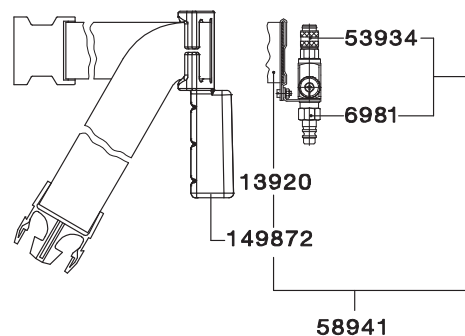
Spare parts for:
Belt unit Art. No. 55798



Spare parts for:
Belt unit Art. No. 122341



Spare parts for:
Belt unit Art. No. 58941



Accessories for SATA vision 2000/SATA air star C

Accessories and air hoses

13904
Activated charcoal cartridge for SATA activated charcoal adsorber



15412
Suspender belt for SATA belt units SATA air star C und SATA air vision 5000vision 2000



13870
SATA air hose, blue, 9mm, 1.2 m with quick coupling, red and nipple



49080
Safety compressed air supply hose CE 10 mm, f. SATA respirators CE version, 6 m long, cpl. according to DIN EN 139/270

176792
Safety compressed air supply hose CE 10m, ø 10 mm DIN EN 139/270 for SATA respirators

180851
Safety compressed air supply hose CE 40m, ø 10mm, DIN EN 139/270 for SATA respirators



Breathing air humidifier and breathing air warmer

89086
SATA top air breathing air humidifier



61242
Air warmer w. micrometer for SATA respirators



Cleaning cloths

134965
SATA half mask cleaner (packing unit 10 pieces) Please observe: The supplied product has a limited use-by date!

135020
SATA half mask cleaner (packing unit 50 pieces) Please observe: The supplied product has a limited use-by date!

75358
SATA wet & dry cleaner (packing unit 10 pieces) Please observe: The supplied product has a limited use-by date!

83881
SATA wet & dry cleaner (packing unit 50 pieces) Please observe: The supplied product has a limited use-by date!



Head covers for SATA vision 2000

60541
Head / chest scarf, grey, over hood for SATA vision 2000



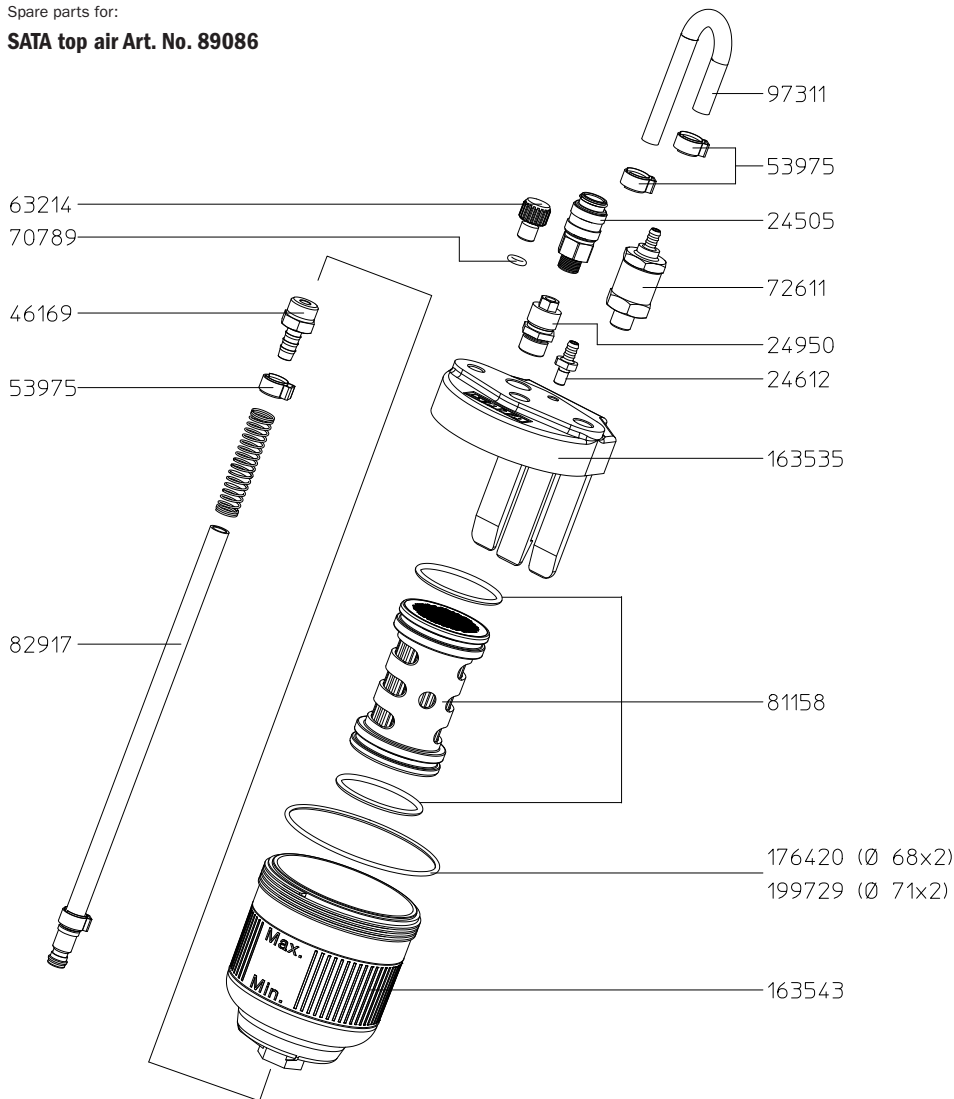
56762
Grey head cloth w. chest cover for respirators



Spare parts
SATA® top air

24505	Safety quick closure coupling, free passage, for SATA top-air
24612	Nipple
24919	O-ring
24950	Safety valve, complete, for SATA top-air
46169	Plug-in nipple for SATA top-air
53975	Hose clamp 10.5 GER
63214	Closing screw for SATA top-air
70789	O-ring 5 x 2 mm, ethylene-propylene, for control piston SATA LP90
72611	Valve, complete, for SATA top-air
81158	Humidifier module cpl.
82917	Breathing air hose, cpl.
97311	PVC hose 4 x 2 mm x 110 mm
163535	Holder
163543	Container with acme thread
176420	O-ring 68 x 2.0 NBR for SATA top air (until July 2013)
199729	O-Ring for SATA top air (as of July 2013)

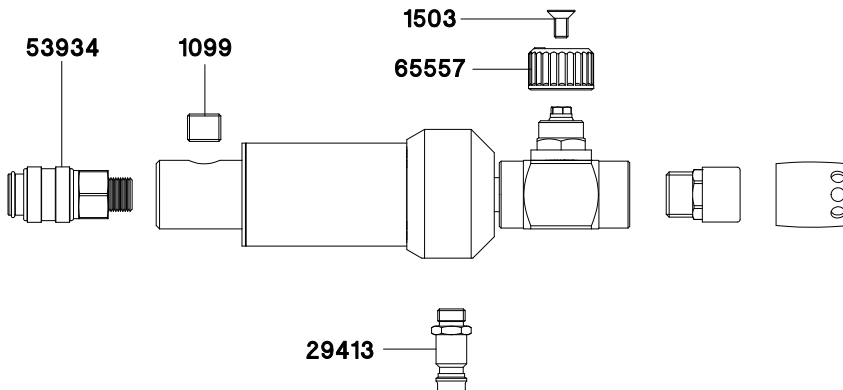
Spare parts for:
SATA top air Art. No. 89086



Spare parts
SATA® air warmer

1099	Closing screw DIN 906 G 1/8-ST, nickel-plated
1503	Countersunk screw M4 x 8 DIN 965, stainless steel, for micrometer und round/flat spray control
29413	Nipple
53934	Safety quick coupling for SATA full face respirator
65557	Control knob

Spare parts for:
SATA air warmer Art. No. 61242



All prices are recommended list prices. Errors, technical modifications and printing errors reserved.

SATA® air star® F

Filtering mask for short usage periods during small paint jobs.



Available versions

134353

SATA air star F, filter A2:P3 R D, 2 pre-filter holders and 10 pre-filters



134288

SATA air star F (Int.) , filter A2:P3 D, 2 pre-filter holders and 10 pre-filters, with hygiene box



Accessories

91553

Storage box for SATA air star F



134965

SATA half mask cleaner (packing unit 10 pieces) Please observe: The supplied product has a limited use-by date!



135020

SATA half mask cleaner (packing unit 50 pieces) Please observe: The supplied product has a limited use-by date!

SPRAY GUNS

CUP SYSTEMS

BREATHING PROTECTION

FILTER TECHNOLOGY

ACCESSORIES

MERCHANDISE ITEMS

Spare parts

SATA® air star® F

134239
Pre-filter (packing unit 50 pieces) Please observe: The supplied product has a limited use-by date!

134247
Pre-filter holder, red (packing unit 2 pieces) and pre-filter (packing unit 10 pieces) Please observe: The supplied product has a limited use-by date!

134254
Head strap with fixing unit and yoke for SATA air star C

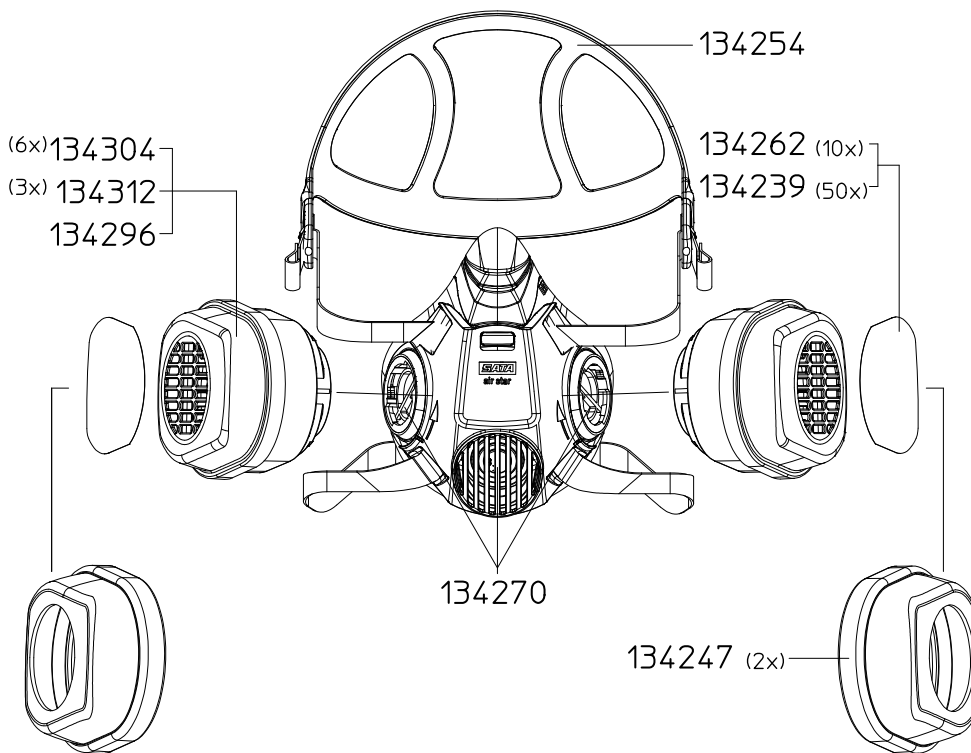
134262
Pre-filter (packing unit 10 pieces) Please observe: The supplied product has a limited use-by date!

134270
Inhalation and exhalation diaphragms (packing unit 5 pieces or 10 pieces, resp.) Please observe: The supplied product has a limited use-by date!

134296
Special filter A2:P3 R D (1 pair) Please observe: The supplied product has a limited use-by date!

134312
Special filter A2:P3 D (3 pairs) Please observe: The supplied product has a limited use-by date!

134304
Special filter A2:P3 R D (6 pairs) Please observe: The supplied product has a limited use-by date!



Filter Technology

SPRAY GUNS

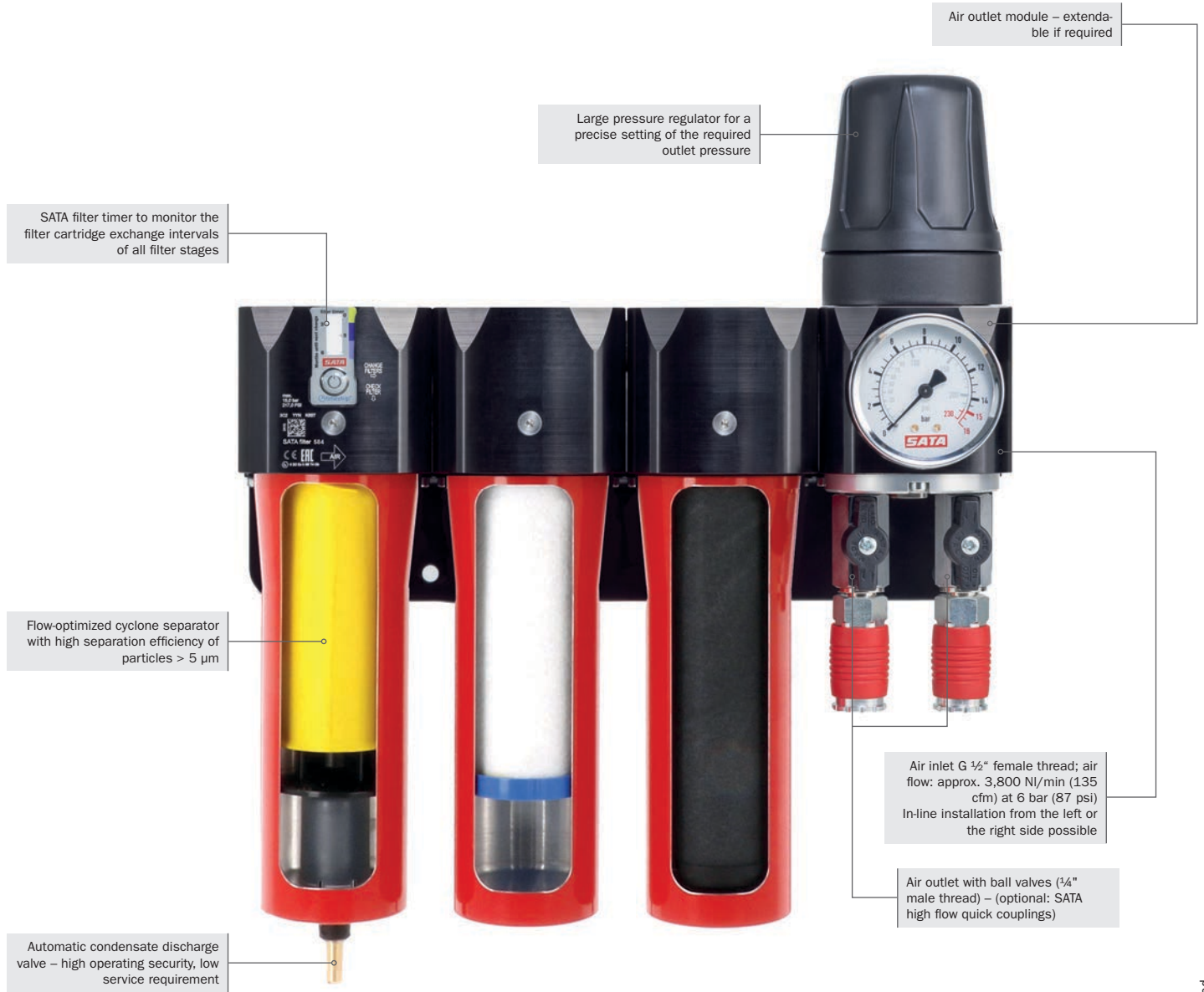
CUP SYSTEMS

BREATHING PROTECTION

FILTER TECHNOLOGY




ACCESSORIES

MERCHANDISE ITEMS



- | | | |
|---|---|--|
| <p>First filter stage:</p> <ul style="list-style-type: none"> ■ Sintered filter to separate particles > 5 µm ■ Cleaning and exchange interval: 6 months | <p>Second filter stage:</p> <ul style="list-style-type: none"> ■ Fine filter cartridge to separate particles > 0.01 µm ■ Separation efficiency: 99.998 % ■ Exchange interval: 6 months | <p>Third filter stage:</p> <ul style="list-style-type: none"> ■ Sintered activated charcoal cartridge with higher separation efficiency of oil vapours ■ Suitable for the use of compressed air-supplied breathing masks ■ Exchange interval: 6 months |
|---|---|--|



Filter type	Fields of application/function
 <p data-bbox="331 324 614 488"> SATA filter 100 prep SATA filter 101 prep SATA filter 103 prep 102 – 103 </p>	<p data-bbox="667 324 1420 385">Economy filter units, e.g. for the installation in prep decks or work areas with ambient temperature < 50 °C</p> <ul data-bbox="667 392 1300 488" style="list-style-type: none"> · modular structure of up to 3 filter stages incl. activated charcoal filter · highest requirements for high-grade compressed air · Air flow: approx. 800 NI/min at 6 bar
 <p data-bbox="331 761 614 952"> SATA filter 414 / 424 / 434 / 444 / 464 / 474 / 484 104 – 107 </p>	<p data-bbox="667 761 997 795">Filter units for the use in paint booths</p> <ul data-bbox="667 795 1452 985" style="list-style-type: none"> · Ambient temperature: up to max. 120 °C, up to max. 60 °C when using activated charcoal (third stage) · modular structure of up to 3 filter stages incl. activated charcoal filter · meeting highest requirements for high-grade compressed air (100 % technically clean air) · Air flow: approx. 3.600 NI/min at 6 bar
 <p data-bbox="331 1422 614 1624"> NEW SATA filter 524 / 544 / 564 / 584 109 – 111 </p>	<p data-bbox="667 1422 997 1456">Filter units for the use in paint booths</p> <ul data-bbox="667 1456 1452 1646" style="list-style-type: none"> · Ambient temperature: up to max. 120 °C, up to max. 60 °C when using activated charcoal (third stage) · modular structure of up to 3 filter stages incl. activated charcoal filter · meeting highest requirements for high-grade compressed air (100 % technically clean air) · Air flow: approx. 3.600 NI/min at 6 bar

SATA® filter 100 prep™/101 prep™/103 prep™

Technical data:

Air inlet:	G 1/2" female thread
Air outlet:	1/4" male thread
Max. inlet operating pressure:	10.0 bar
Max. outlet operating pressure:	10.0 bar
Air flow at 6.0 bar:	800 NI/min
Max. ambient temperature:	50 °C



Available versions

148247

SATA filter 100 prep double-stage sinter filter/fine filter with pressure regulator outlet (1 x 1/4" male thread)



157412

SATA filter 101 prep single-stage activated charcoal filter to retrofit filter 100 prep to filter 103 prep



157420

SATA filter 103 prep triple-stage sinter filter/fine filter/activated charcoal filter with pressure regulator and 1 outlet tap (1/4" male thread)

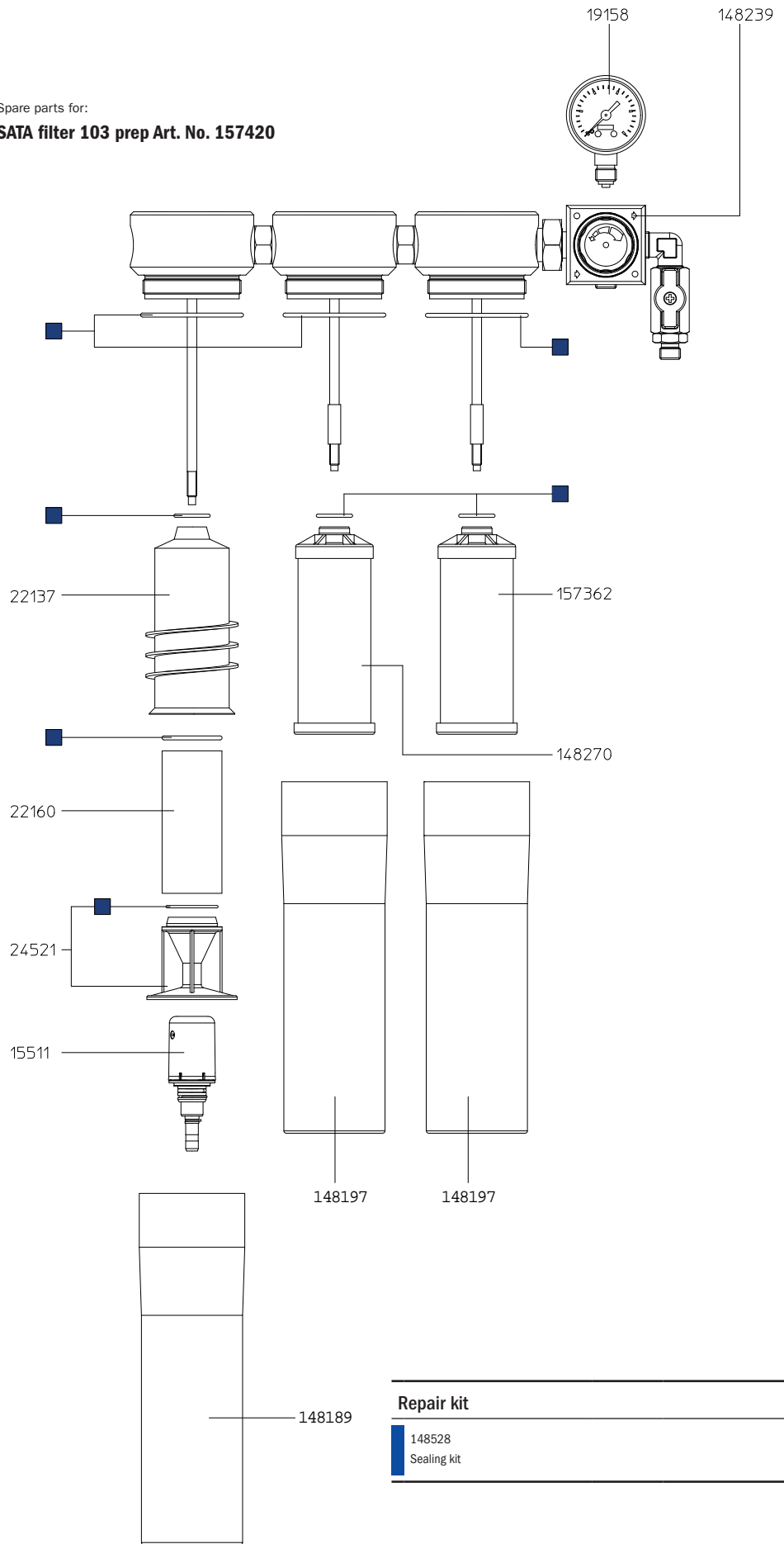


Spare parts

**SATA® filter 103
prep™**

15511	Automatic condensate drain valve
19158	Pressure gauge 0 - 10 bar, 50 mm
22137	Cyclone separator
22160	Sintered filter
24521	Condensate retainer with O-ring
148239	Pressure regulation valve
148270	Fine filter cartridge
157362	Activated charcoal cartridge
148189	Filter housing, drilled and coated
148197	Filter sleeve, processed and coated

Spare parts for:
SATA filter 103 prep Art. No. 157420



Repair kit
148528
Sealing kit

All prices are recommended list prices. Errors, technical modifications and printing errors reserved.

SATA® filter

414™/424™/434™/464™

Technical data:

Air inlet: G 1/2" female thread

Air outlet: 1/4" male thread

Max. inlet operating pressure: 15.0 bar

Max. outlet operating pressure: 10.0 bar

Air flow at 6.0 bar: 3600 NI/min

Max. ambient temperature: 120 °C

Max. ambient temperature with activated charcoal: 60 °C

charcoal:



Pressure regulator/water separator

92288

SATA pressure reducer 420 with gauge 0-10 bar, air inlet and outlet G 1/2" (female thread)



92213

SATA filter 414 single-stage sinter filter without pressure regulator, with outlet module (2 x 1/4" male thread)



92254

SATA filter 414 L single-stage sinter filter without pressure regulator, for pipeline installation (G 1/2" female thread)



92221

SATA filter 424 single-stage sinter filter, pressure regulator, outlet module (2 x 1/4" male thread)



92262

SATA filter 424 L single-stage sinter filter, pressure regulator, for pipeline installation (G 1/2" female thread)



Fine filter

92239

SATA filter 434 single-stage fine filter without pressure regulator, with outlet module (2 x 1/4" male thread)



92270

SATA filter 434 L single-stage fine filter without pressure regulator for pipeline installation (G 1/2" female thread)



Activated charcoal filter to retrofit SATA filter 444

141473

SATA filter 464 add-on kit single-stage activated charcoal filter without pressure regulator to retrofit SATA filter 444 to SATA filter 484



92247

SATA filter 464 single-stage activated charcoal filter without pressure regulator, with outlet module (2 x 1/4" male thread)



Spare parts

SATA® filter 424™

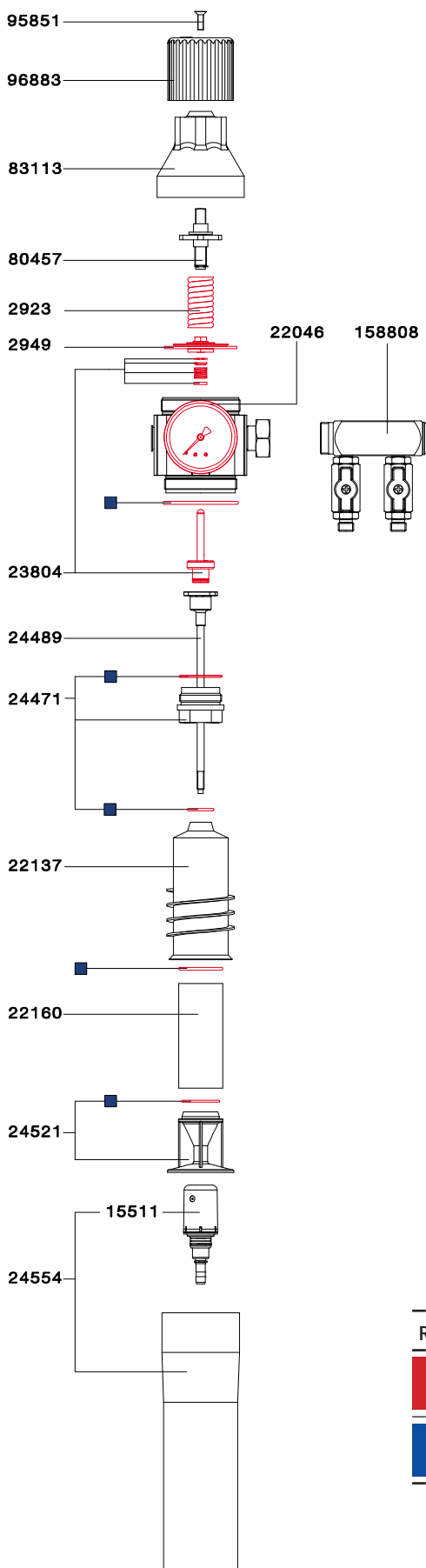
2923	Pressure spring
2949	Diaphragm
15511	Automatic condensate drain valve
22046	Pressure gauge 0 - 10 bar, 50 mm
22137	Cyclone separator
22160	Sintered filter
23804	Pressure valve
24471	Plastic nut with 2 O-rings for SATA filter series 300 and 400
24489	Threaded rod with pressure valve head
24521	Condensate retainer with O-ring
24554	Filter sleeve with automatic discharge valve
80457	Spindle for SATA filter series 400
83113	Fixing nut
95851	Countersunk screw M 5 x 16
96883	Pressure adjustment screw
158808	Manifold 2x 1/4" (male thread)

Spare parts

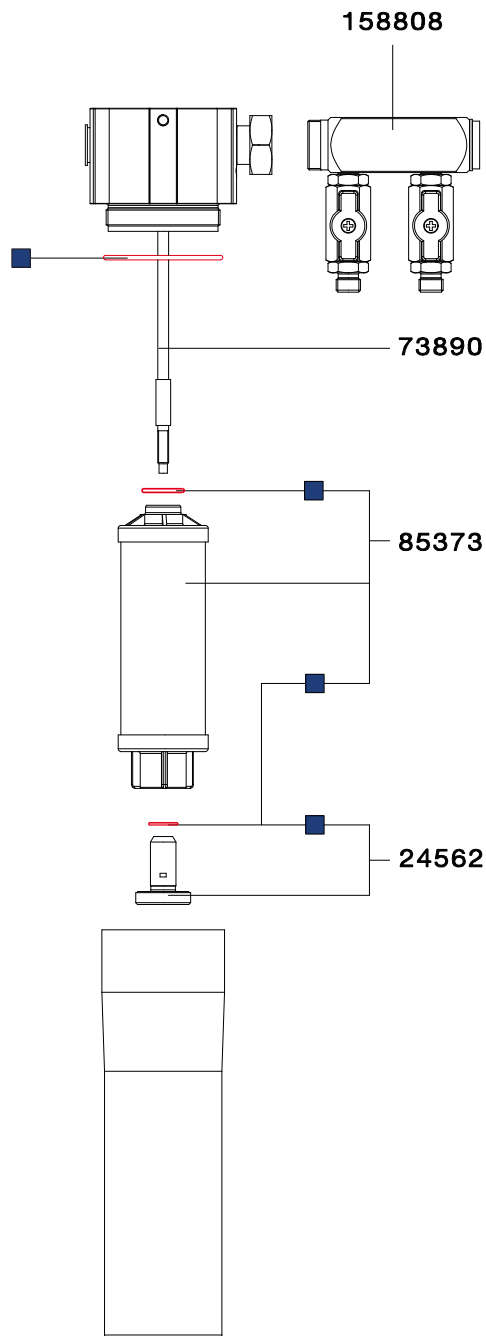
SATA® filter 464™

24562	Adapter, cpl. with O-ring
73890	Threaded rod
85373	Activated charcoal cartridge
158808	Manifold 2x 1/4" (male thread)

Spare parts for:
SATA filter 424 Art. No. 92221



Spare parts for:
SATA filter 464 Art. No. 92247



Repair kit

94979	Service unit filter series 0/400
96750	Sealing kit

SATA® filter 444™/474™/484™

Technical data:

Air inlet:	G 1/2" female thread
Air outlet:	1/4" male thread
Max. inlet operating pressure:	15.0 bar
Max. outlet operating pressure:	10.0 bar
Air flow at 6.0 bar:	3600 NI/min
Max. ambient temperature:	120 °C
Max. ambient temperature with activated charcoal:	60 °C



Combi filter

92296

SATA filter 444 double-stage sinter filter/fine filter with pressure regulator and outlet module (2 x 1/4" male thread)



92833

SATA filter 444 with carrying support double-stage sinter filter/fine filter, pressure regulator, outlet module (2 x 1/4" male thread)



92304

SATA filter 444 L double-stage sinter filter/fine filter with pressure regulator, for pipeline installation (G 1/2" female thread)



92312

SATA filter 474 double-stage fine filter/activated charcoal without pressure regulator with outlet module (2 x 1/4" male thread)



92320

SATA filter 484 triple-stage sinter filter/fine filter/activated charcoal with pressure regulator and outlet module (2 x 1/4" male thread)



129619

SATA filter 484 with floor carrying support triple-stage sinter filter/fine filter/activated charcoal/floor carrying support with pressure regulator and outlet module (2 x 1/4" male thread)



173195

SATA filter 484 mobil in a case, sintered filter/fine filter/activated charcoal with pressure regulator, air inlet G 1/2 ext., air outlet (2x quick coupling)

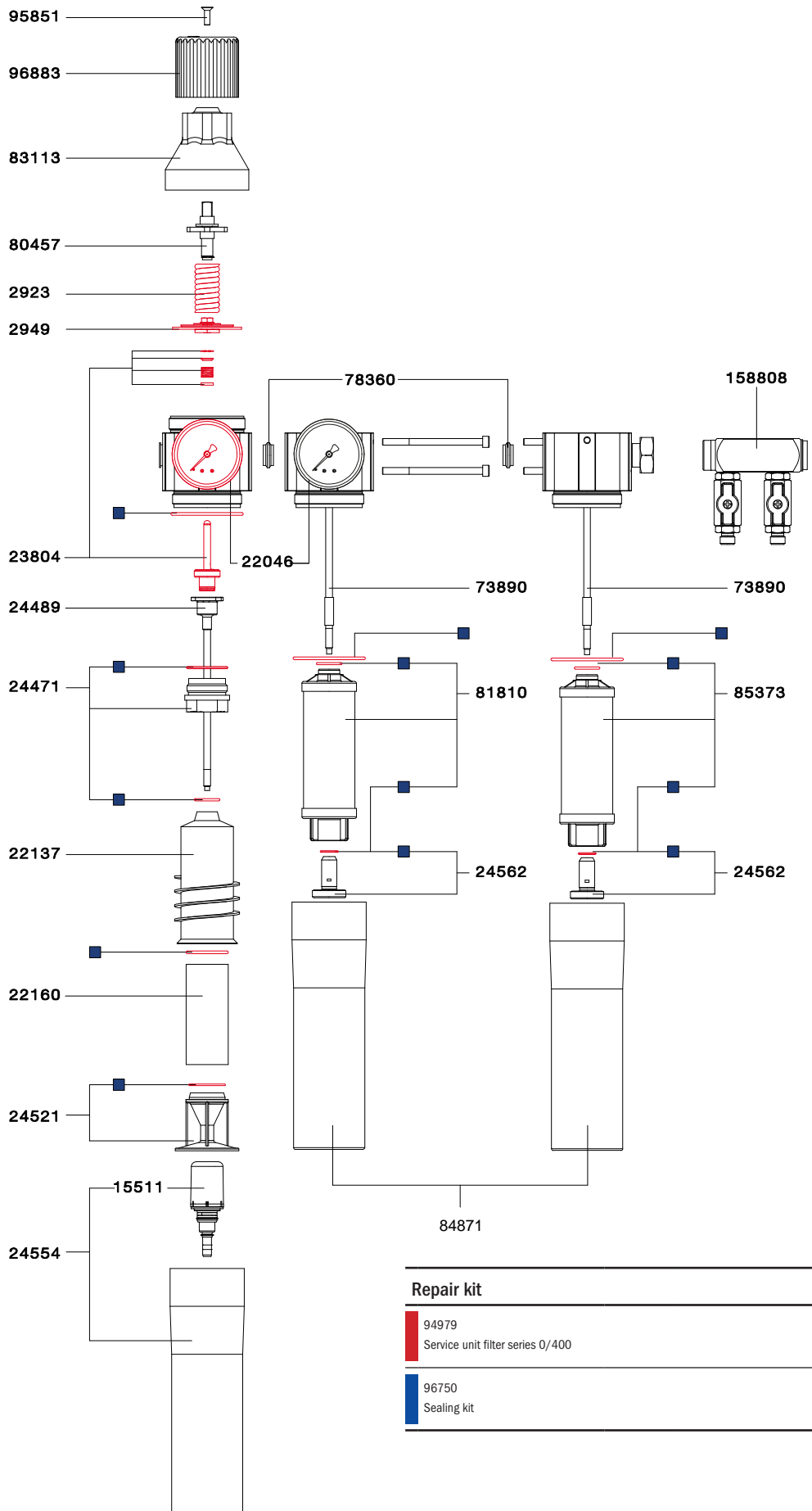


Spare parts

**SATA® filter 444™
/474™/484™**

2923	Pressure spring
2949	Diaphragm
15511	Automatic condensate drain valve
22046	Pressure gauge 0 - 10 bar, 50 mm
22137	Cyclone separator
22160	Sintered filter
23804	Pressure valve
24471	Plastic nut with 2 O-rings for SATA filter series 300 and 400
24489	Threaded rod with pressure valve head
24521	Condensate retainer with O-ring
24554	Filter sleeve with automatic discharge valve
24562	Adapter, cpl. with O-ring
73890	Threaded rod
78360	Gasket
80457	Spindle for SATA filter series 400
81810	Fine filter cartridge
83113	Fixing nut
84871	Filter sleeve
85373	Activated charcoal cartridge
95851	Countersunk screw M 5 x 16
96883	Pressure adjustment screw
158808	Manifold 2x 1/4" (male thread)

Spare parts for:
SATA filter 484 Art. No. 224477



Repair kit

94979
Service unit filter series 0/400

96750
Sealing kit

SPRAY GUNS

CUP SYSTEMS

BREATHING PROTECTION

FILTER TECHNOLOGY

ACCESSORIES

MERCHANDISE ITEMS



air vision 5000

SATA

Standard
Standard Air
Filter 100
Standard
Standard Air
Filter 100
Standard
Standard Air
Filter 100



NEW

SATA® filter

524™/544™/564™/584™

Technical data:

Air inlet:	G 1/2" female thread
Air outlet:	1/4" male thread
Max. inlet operating pressure:	15,0 bar
Max. outlet operating pressure:	15,0 bar
Air flow at 6.0 bar:	approx. 3.800 l/min
Max. ambient temperature:	120 °C
Max. ambient temperature with activated charcoal:	60°C



Combi filter

1101667

SATA pressure reducer with gauge 0-10 bar (0-145 psi), air outlet G 1/2" (female thread)



1101659

SATA filter 524 single-stage sinter filter, pressure regulator, outlet module (2 x 1/4" male thread)



1101641

SATA filter 524 L single-stage sinter filter, pressure regulator, for pipeline installation (G 1/2" female thread)



1101005

SATA filter 564 add-on kit activated charcoal filter to retrofit SATA filter 544 to SATA filter 584



1100990

SATA filter 544 double-stage sinter filter/fine filter with pressure regulator and outlet module (2 x 1/4" male thread)



1099953

SATA filter 584 triple-stage sinter filter/fine filter/activated charcoal with pressure regulator and outlet module (2 x 1/4" male thread) (Int.)



1101625

SATA filter 584 with carrying support triple-stage sinter filter/fine filter/activated charcoal, pressure regulator, outlet module (2 x 1/4" male thread)



1101675

SATA filter 584 mobil, triple-stage sintered filter/fine filter/activated charcoal with pressure regulator, air outlet (2x quick coupling) and SATA air hose, 13 mm with trolley



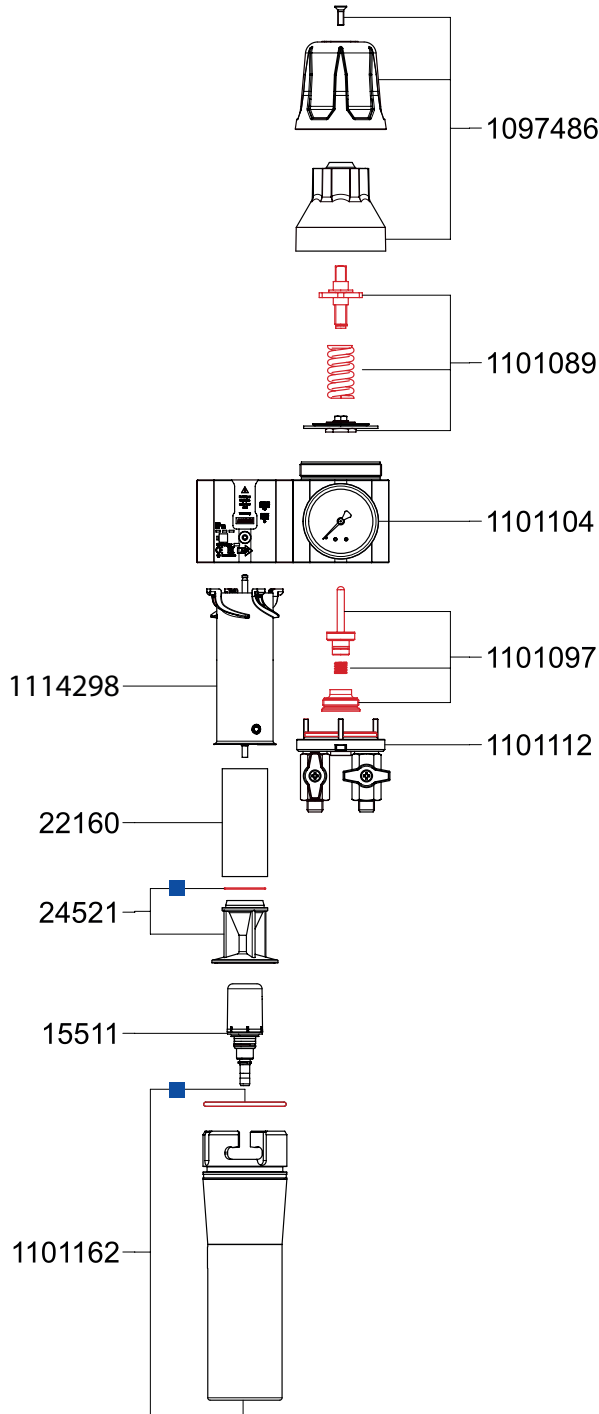
Spare parts
SATA® filter 524™

15511	Automatic condensate drain valve
22160	Sintered filter
24521	Condensate retainer with O-ring
1097486	Pressure reducer with pressure adjustment screw and countersunk screw
1101089	Diaphragm incl. pressure spring and spindle
1101097	Pressure steering unit
1101104	Pressure gauge 0 - 15 bar (0-145 psi)
1101112	Cover unit with ball valves 2 pcs.
1101162	Filter sleeve with automatic discharge valve
1114298	Cyclone separator

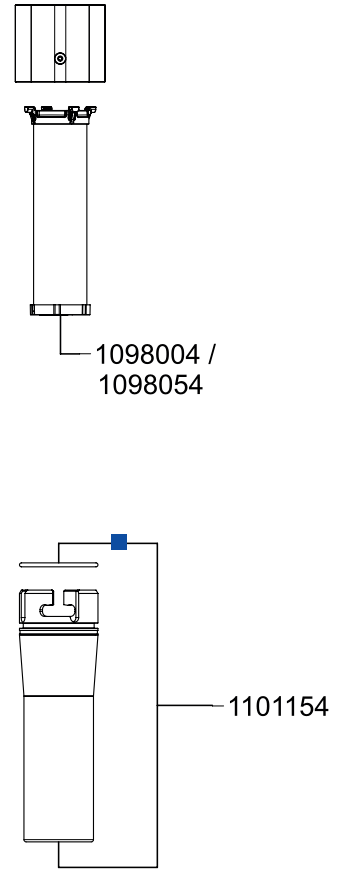
Spare parts
SATA® filter 564™

1098004	Activated charcoal cartridge
1098054	Service kit for SATA filter series 500: with fine filter and activated charcoal cartridge
1101154	Filter housing

Spare parts for:
SATA filter 524
Art. No. 1101659



Spare parts for:
SATA filter 564
Art.No. 1101005



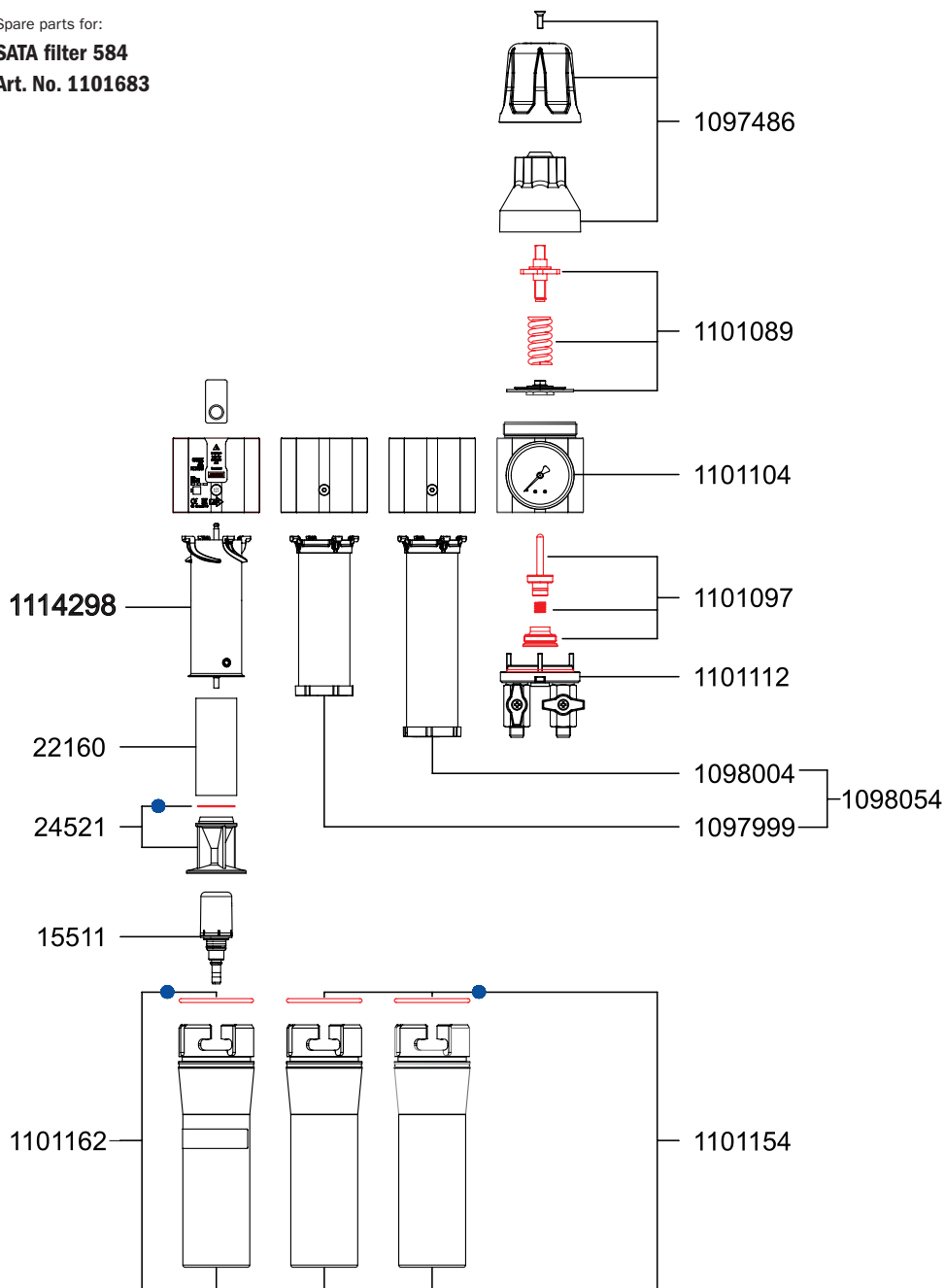
Repair kit	
1102087	Service unit
1101518	Sealing kit

Spare parts

SATA® filter 544™/584™

15511	Automatic condensate drain valve
22160	Sintered filter
24521	Condensate retainer with O-ring
1097486	Pressure reducer with pressure adjustment screw and countersunk screw
1097999	Fine filter cartridge
1098004	Activated charcoal cartridge
1098054	Service kit for SATA filter series 500: with fine filter and activated charcoal cartridge
1101089	Diaphragm incl. pressure spring and spindle
1101097	Pressure steering unit
1101104	Pressure gauge 0 - 15 bar (0-145 psi)
1101112	Cover unit with ball valves 2 pcs.
1101154	Filter housing
1101162	Filter sleeve with automatic discharge valve
1114298	Cyclone separator

Spare parts for:
SATA filter 584
Art. No. 1101683



Repair kit

1102087
 Service unit

1101518
 Sealing kit

Accessories for SATA® filter series

Filter cartridges

22160

Sintered filter for all SATA filter series



1097999

Fine filter cartridge for SATA filter series 500



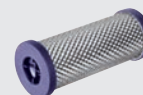
81810

Fine filter cartridge for SATA filter series 200, 300 and 400



148270

Fine filter cartridge for SATA filter series 100 prep



1098004

Activated charcoal cartridge for SATA filter series 500



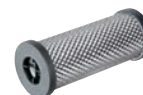
85373

Activated charcoal cartridge for SATA filter series 200, 300 and 400



157362

Activated charcoal cartridge for SATA filter series 100 prep



1098054

Service kit for SATA filter series 500: with fine filter and activated charcoal cartridge



138933

Service kit for filter series 400: with fine filter cartridge and activated charcoal cartridge



214270

SATA six pack with #81810 (packing unit 2 pieces) and #85373 (packing unit 4 pieces) for SATA filter 484










206151







SATA filter timer for sinter filter









Filter accessories

1114305 Adapter to retrofit SATA filter 484 to filter 584	The price was not yet fixed at the printing date	
13599 SATA quick coupling G 1/4" (female thread)		
1107269 SATA high-flow coupling, red, packaging unit 2 pcs. for SATA filter series 500		
1101146 Manifold SATA filter 500		
158824 Manifold for extension with 2 ball valves for SATA filter series 400		
10934 Ball tap (Teflon) 1/2" male thread for air inlet SATA filter series 100, 300, 400 and cleaning devices		
9878 SATA mini filter 1/4" (male thread)		

Air quality control

156299 SATA air tester, atomisation air quick tester		
7096 SATA air check set compressed air quality control device for optimum spray air		
7666 Diaphragm (packing unit 10 pieces) for SATA air check set		
1107350 Service tachometer for the spray booth, A3, German / English for SATA filter series 500	-	
133587 SATA Service Tacho for the paint spray booth, German/English, DIN A3	-	
1101500 SATA filter cover (packing unit 4 pieces) for SATA filter series 500		
215053 SATA filter cover (packing unit 4 pieces) for all SATA filter series		

Accessories

Type of device	Fields of application/function
	<p>SATA material pressure tank 116 – 121</p> <ul style="list-style-type: none"> • Time saving due to continuous working without interruptions • Also suitable for high viscosity, paste-like or thixotropic materials • Various equipment and special versions
	<p>SATA vario top spray 122– 125</p> <ul style="list-style-type: none"> • High performance diaphragm pump technology with enhanced pump capacity for high speed application • Individual versions for pumping, feeding or painting • Ultra-fine atomisation of primer materials and topcoats in conjunction with the reliable, top quality SATA spray guns (e.g. SATAjet 3000 K and 1000 K)
	<p>SATA clean RCS SATA clean RCS compact SATA clean RCS micro SATA multi clean 2 132 – 133</p> <ul style="list-style-type: none"> • Rapid cleaning system for intermediate cleaning of spray guns for quick colour changes when using multi-purpose cups, e.g. SATA RPS • Suitable for waterborne and solvent-based paint systems
	
	
	

SPRAY GUNS






CUP SYSTEMS

BREATHING PROTECTION

FILTER TECHNOLOGY

ACCESSORIES

MERCHANDISE ITEMS

Type of device	Fields of application/function	
	SATA trueSun 136	<ul style="list-style-type: none"> · Daylight lamp for accurate colour retrieval · Uniform distribution of the light intensity across the entire light cone ensuring consistent colour reproduction – from centre to edge · Built-in charging condition display · Infinitely dimmable light intensity · Highest quality level of daylight reproduction from start to finish
	SATA dry jet 2 137	<ul style="list-style-type: none"> · Accelerated drying of surfaces painted with waterborne materials · Ideally suited for smaller paint jobs, as expensive booth heating times are being avoided · Integrated air regulation to set the inlet pressure
	SATA Blow Guns 126	<ul style="list-style-type: none"> · To blow-off dust and particles - low air consumption, high efficiency · Robust and very durable · Different versions with special nozzle set-ups available
	Grit blasting equipment 126 – 127	<ul style="list-style-type: none"> · Grit blasting guns with hard metal insert - to remove rust efficiently and quickly · Ideal for areas of difficult access · Injector suction principle optionally with hand-held gun or large containers
	Rustproofing Equipment 129 – 131	<ul style="list-style-type: none"> · Pressurised cup spray gun for cavity preservation and underbody protection of all vehicle types. Different cavity wand systems are available. · Fine atomisation even with the application of high-viscosity materials by pressurisation with up to 10 bar

SATA® mini set™ 2

Technical data:

Air inlet and outlet:	1/4" male thread
Material outlet:	1/4" male thread
Max. material pressure inside the container:	2.5 bar
Weight:	2.4 kg
Air flow at 6.0 bar:	3600 NI/min
Container and lid made of aluminium / suction tube made of copper	
Max. ambient temperature with activated charcoal:	60 °C



Available versions

120840

SATA mini set 2 pressure pot 2 ltr. single pressure reducer



56408

SATA Mini Set 2 with SATAjet 3000 K RP 1.1, paint pipe, material filter 60 msh, hose pair 1.5 m



83444

SATA Mini Set 2 with SATAjet 3000 K HVLP 1.2, paint pipe, material filter 60 msh, hose pair 1.5 m



Accessories for SATA mini set 2

5868

Shoulder strap for SATA mini set and SATA mini set 2

19869

SATA hose pair 9 x 9 mm, 1.5 m, G 3/8" and G 1/4" (material), G 1/4" (air) (female thread) for SATA mini set 2

SATA release agent application system

187740

Separating agent spray system, consisting of pressure tank 2 l, DPR (double pressure reducer), SATAmijinjet 1000 K RP 0.3, hose pair 3 m, complete



187708

SATA hose pair 6 x 6 mm, 3 m, G 1/4" (female thread) (material and air) for SATA mini set 2



187450

SATAmijinjet 1000 K RP nozzle 0.3 material connection 1/4" (male thread)



187419

SATA paint tube G 1/4 female thread - 1/4" male thread



187690

SATA paint strainer 60 msh, 1/4" (male thread)



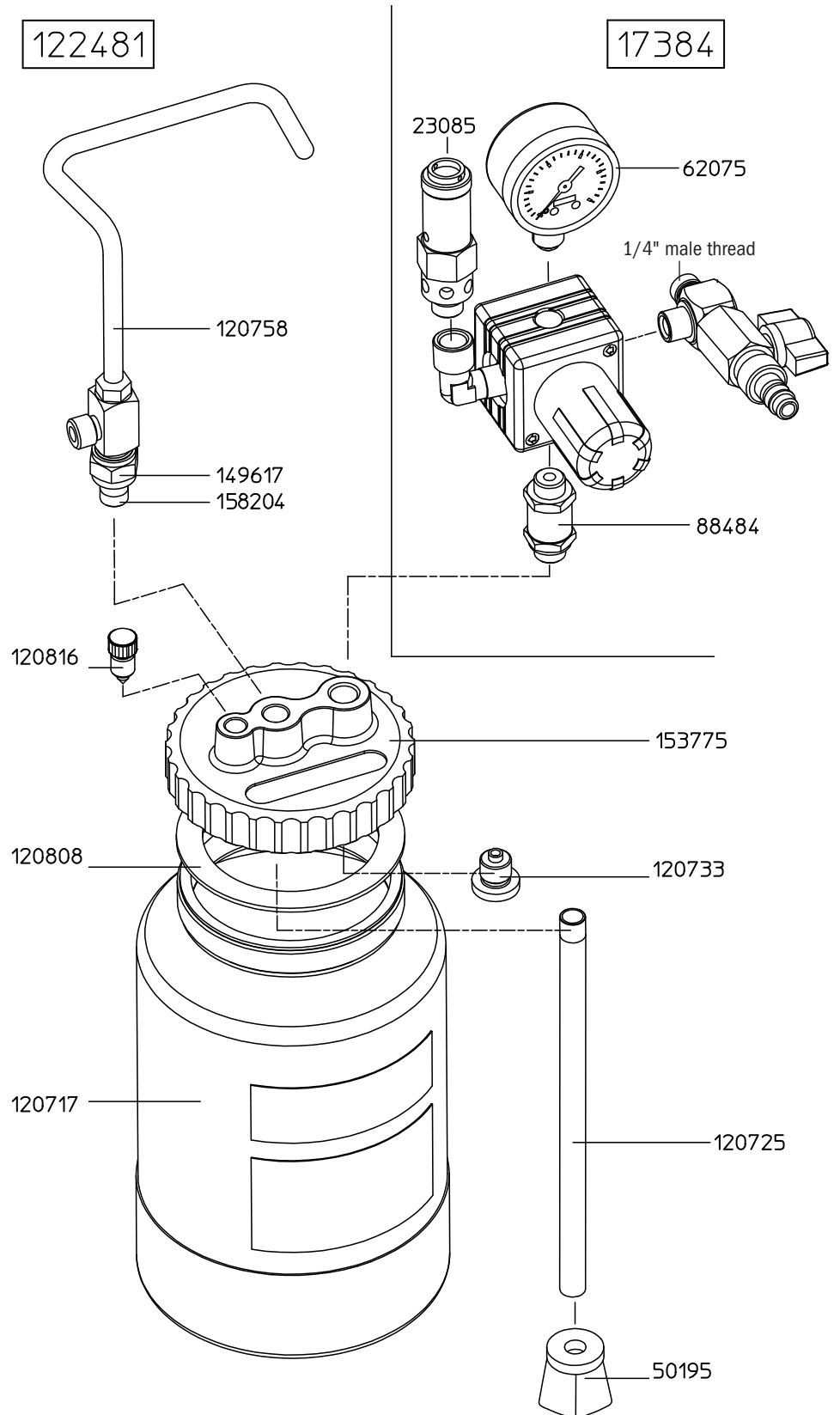
57232

2.0 l pressure pot, cpl. with handle and double pressure reducer

Spare parts

SATA® mini set™ 2

17384	Pressure regulator with gauge 0-4 bar, safety valve 2.5 bar
20677	Set of wear-and-tear parts for pressure regulation valve
23085	Safety and drain valve 2.5 bar for MINI-SET 2 litres, G 1/4
50195	Strainer (packing unit 2 pieces)
62075	Pressure gauge 0 - 4 bar, 50 mm, red marking at 2.5 bar
88484	One-Way valve
120733	Closing screw (packing unit 2 pieces)
120717	2.0 l pressure pot, w/o lid
120725	Suction pipe
120758	Handle, cpl.
120808	Sealing ring (packing unit 4 pieces)
120816	Pressure release screw (packing unit 2 pieces)
122481	2.0 l pressure pot, cpl. with handle, w/o controls and instruments
149617	Sleeve nut for handle SATA mini set 2
153775	Screw-on lid for mini set 2
158204	Connection nipple



SATA® paint set™ 10







Technical data:

Air inlet and outlet:	1/4" male thread
Material outlet:	1/2" male thread
Max. material pressure inside the container:	3 bar
Total weight/Lid weight:	8 kg/starting from 3.9 kg
Interior height / width:	268mm/ø 217mm
Container made of stainless steel and lid coated	



SETS

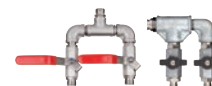
Consisting of:

						
SATA® paint set™ 10						
14662	X					
201079	X		X			
199257	X			X		
14654	X		X	X		
14647		X				
201087		X	X			
199265		X		X		
199273		X			X	
14639		X	X	X		
16782		X				X

Accessories

14373

Optional (no retrofit): 2. spray gun connection (air and material) for SATA paint set 10 - stainless steel version with Teflon ball valve



47530

Insert pot, stainless steel for SATA pressure tank FDG 10



138917

Surcharge for suction pipe, tap and angle made of stainless steel for SATA paint set 10

Spare parts
SATA® paint set
10™

17376
Brass pipe securing nut DIN 431 G 1/4 nickel-plated for ascending pipe SATA Mini-Set 2 I

18937
Pressure gauge 0 - 4 bar, 50 mm, red marking at 3 bar

18945
Safety and drain valve 3 bar, G 1/4 for SATA Paint Set 10 I

18952
Ball tap (Teflon) 3/8" (male thread) x G 1/2" (female thread) material outlet

19000
Handle, cpl.

19018
Double pressure reducer, cpl. with pressure gauge and safety valve 3.0 bar

19026
Single pressure regulator, cpl.

19034
Eye bolt

19042
Retaining washer 13 for SATA Paint Set 10 I, galvanized, 92-5817

19158
Pressure gauge 0 - 10 bar, 50 mm

19166
Air release valve, cpl. 3/8" (male thread)

22129
Ball tap (Teflon), cpl., 3/8" x 1/4" (male thread)

24281
Lid, black with RILSAN coating, with brackets and T-piece

24315
Securing handle M 12 for SATA pressure pot 10 I

25890
Sealing ring, copper 13x18x1

27573
Safety ring 12 x 1 DIN 471, galvanized

27631
Ball tap (Teflon) 1/4" (male thread) x G 1/4" (female thread)

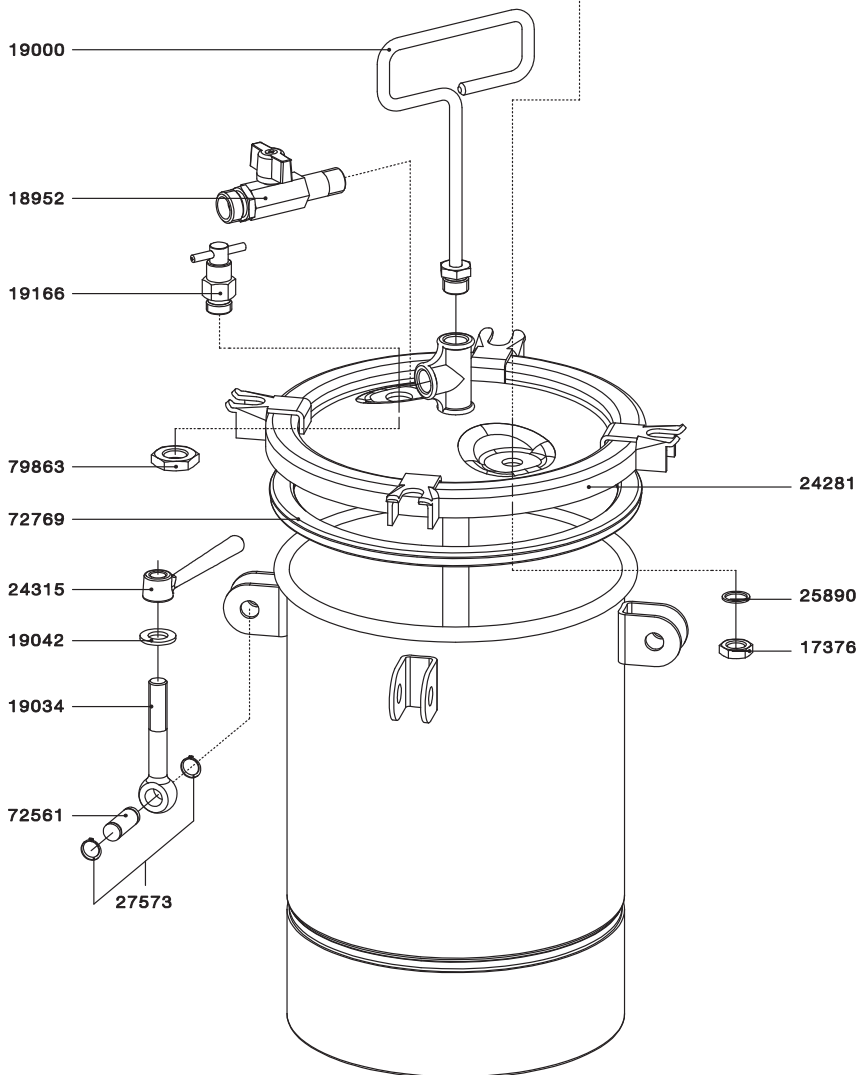
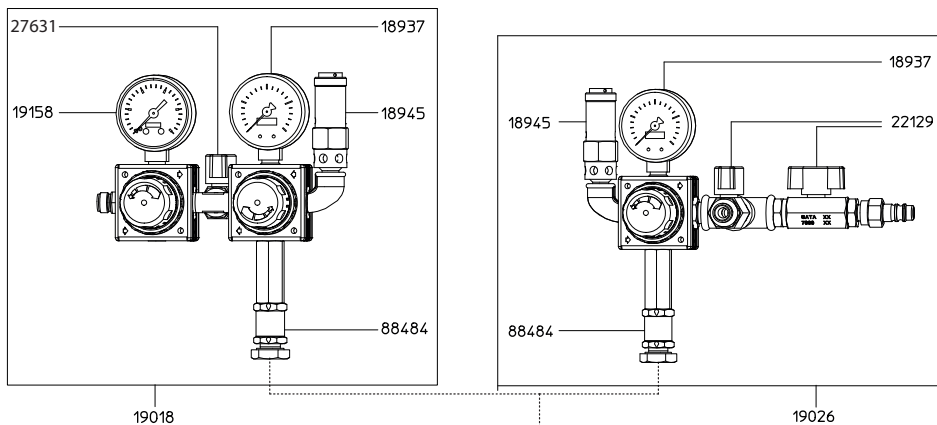
72561
Bolt

72769
Sealing ring

79863
Hexagon nut G 3/8" (female thread), stainless steel

88484
One-Way valve

20677
Set of wear-and-tear parts for pressure regulation valve



All prices are recommended list prices. Errors, technical modifications and printing errors reserved.

SATA® Paint Pressure Tanks 24 l / 48 l

Technical data:	SATA FDG 24	SATA FDG 48
Air inlet and outlet:	1/4" male thread	1/4" male thread
Material outlet:	1/2" male thread	1/2" male thread
Max. material pressure inside the container:	6 bar	4 bar
Total weight/Lid weight:	24 kg/starting from 6.9 kg	31 kg/starting from 8.6 kg
Interior height / width:	369 mm/ø 297 mm	486 mm/ø 362 mm
Container made of stainless steel and lid coated		
Fluid group 2*		



Receptacle	Consisting of:					
SATA® Paint Pressure Tanks 24 l / 48 l	Single pressure reducer	Double pressure reducer	Pot insert	Hand agitator	Compressed air agitator with gear drive	Motor driven agitator

SATA FDG 24N						
177725	X					
177733	X			X		
177758	X				X	
177766	X					X
177774		X				
177782		X		X		
177808		X			X	
177816		X				X
SATA FDG 24U						
186189	X					
195370		X				
SATA FDG 48N						
177824	X					
177832	X			X		
177857	X				X	
177865	X					X
177873		X				
177881		X		X		
177907		X			X	
177915		X				X

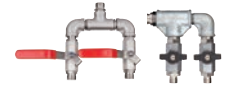
* Processing of coating materials of fluid group 1 is not permitted.

SPRAY GUNS / CUP SYSTEMS / BREATHING PROTECTION / FILTER TECHNOLOGY / ACCESSORIES / MERCHANDISE ITEMS

Accessories

181990

Optional (no retrofit): 2. spray gun connection (air and material), stainless steel version for SATA FDG 24 N



177923

Optional (no retrofit): 2. spray gun connection (air and material), stainless steel version for SATA FDG 48 N

31302

Insert pot, stainless steel for SATA pressure tank FDG 24



47639

Insert pot, stainless steel for SATA pressure tank FDG 48

14332

Trolley, cpl. for SATA FDG 48



46037

Trolley, cpl. for SATA FDG 24 and SGE

Spare parts

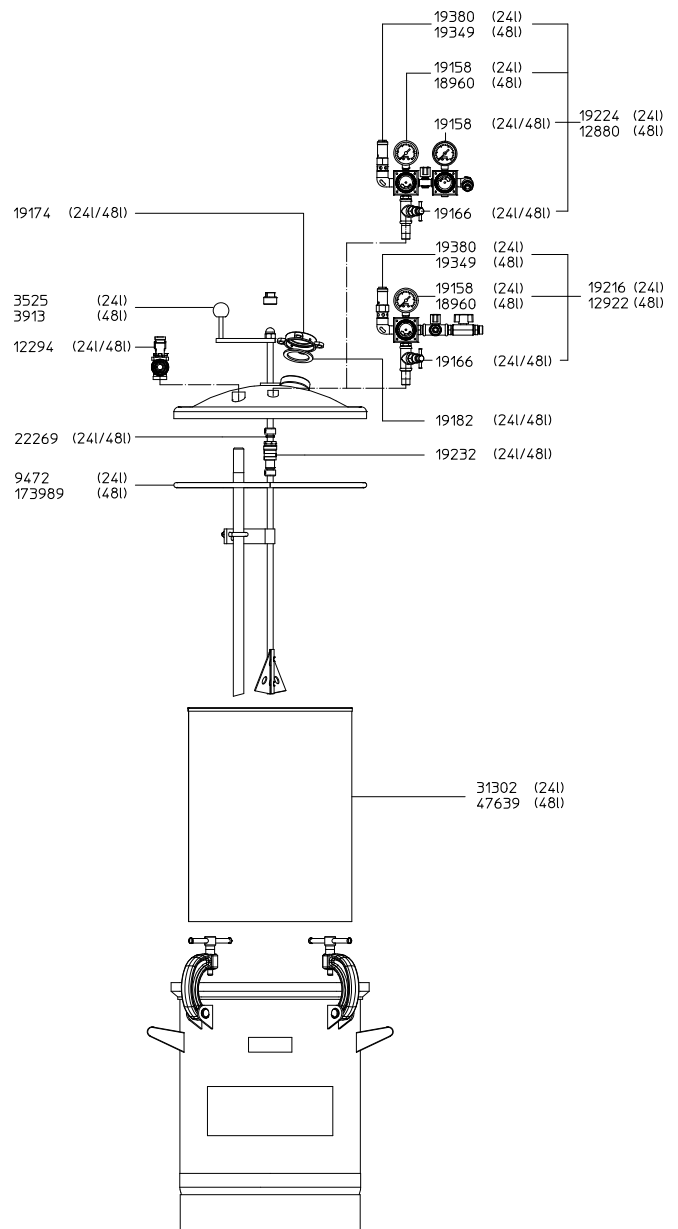
SATA® FDG 24 N

3525	Hand agitator, cpl., stainless steel
9472	Sealing ring, EPDM profile string green
12294	Material outlet, stainless steel, 1/2" male thread
19158	Pressure gauge 0 - 10 bar, 50 mm
19166	Air release valve, cpl. 3/8" (male thread)
19174	Lid for filler neck
19182	Gasket for filler neck
19216	Single pressure regulator, cpl. with pressure gauge and safety valve, max. pressure 6.0 bar
19224	Double pressure reducer, cpl. with pressure gauge and safety valve 6.0 bar
19232	Stuffing box (packing unit 3 piece) for manual agitation
19380	Safety valve PN6, 3/8" male thread
22269	O-ring
31302	Insert pot, stainless steel

Spare parts

SATA® FDG 48 N

3913	Hand agitator, cpl., stainless steel
12294	Material outlet, stainless steel, 1/2" male thread
12880	Double pressure reducer, cpl. with pressure gauge and safety valve 4.0 bar
12922	Single pressure regulator, cpl. with pressure gauge and safety valve, max. pressure 4.0 bar
18960	Pressure gauge 0 - 6 bar, 50 mm, red marking at 4 bar
19158	Pressure gauge 0 - 10 bar, 50 mm
19166	Air release valve, cpl. 3/8" (male thread)
19174	Lid for filler neck
19182	Gasket for filler neck
19232	Stuffing box (packing unit 3 piece) for manual agitation
19349	Safety pressure relief valve G 3/8, set to 4 bar for SATA 48 Euro- pressure pot
22269	O-ring
47639	Insert pot, stainless steel
173989	Sealing ring



SATA® vario top spray™

Technical data:

Pump ratio:	1:1	
Material pressure:	8.0 bar	
Material flow volume (at 220 double strokes):	32 l/min.	
Air inlet pressure min.:	1.0 bar	
Air inlet pressure max.:	8.0 bar	
Version and weight without add-on components:	Aluminium:	Stainless steel:
	6 kg	12 kg



Available versions

81661

SATA vario top spray S, double diaphragm pump 1:1, with stand, material fine pressure regulator, suction tube and 1 spray gun connection, without spray gun and hoses



61507

SATA vario top spray W, double diaphragm pump 1:1 wall mounted version, with material fine pressure regulator, suction tube and 1 spray gun connection, without spray gun and hoses



61515

SATA vario top spray F, double diaphragm pump 1:1 on trolley, with material fine pressure regulator, suction tube and 1 spray gun connection, without spray gun and hoses



63974

SATA vario top spray F, double diaphragm pump 1:1, mobile, with material fine pressure regulator, suction tube + 2. gun connection, without spray gun and hoses

138941

SATA vario top spray FFB, double diaphragm pump 1:1, on trolley, with gravity flow container, material fine pressure regulator, without suction tube, 1 spray gun connection, without spray gun and hoses

62745

SATA vario top spray FFB, double diaphragm pump 1:1, on trolley, with gravity flow container, material fine pressure regulator, suction tube, 1 spray gun connection, without spray gun and hoses

Versions - pump and material passages made of stainless steel

81406

SATA vario top spray S, double diaphragm pump 1:1, stainless steel version, stand, material fine pressure regulator, suction tube and 1 spray gun connection, without spray gun and hoses

72678

SATA vario top spray W, double diaphragm pump 1:1, stainless steel version, for wall mounting, with material fine pressure regulator, suction tube and 1 spray gun connection, without spray gun and hoses

72694

SATA vario top spray F double diaphragm pump 1:1, stainless steel version, on trolley, with material fine pressure regulator, suction tube and 1 spray gun connection, without spray gun and hoses

138958

SATA vario top spray FFB, double diaphragm pump 1:1, stainless steel version, on trolley, with gravity flow container, fine material pressure regulator, without suction tube and 1 spray gun connection, without spray gun and hoses

95109

SATA vario top spray FFB, double diaphragm pump 1:1, stainless steel version, on trolley, with gravity flow container, material fine pressure regulator, suction tube and 1 spray gun connection, without spray gun and hoses

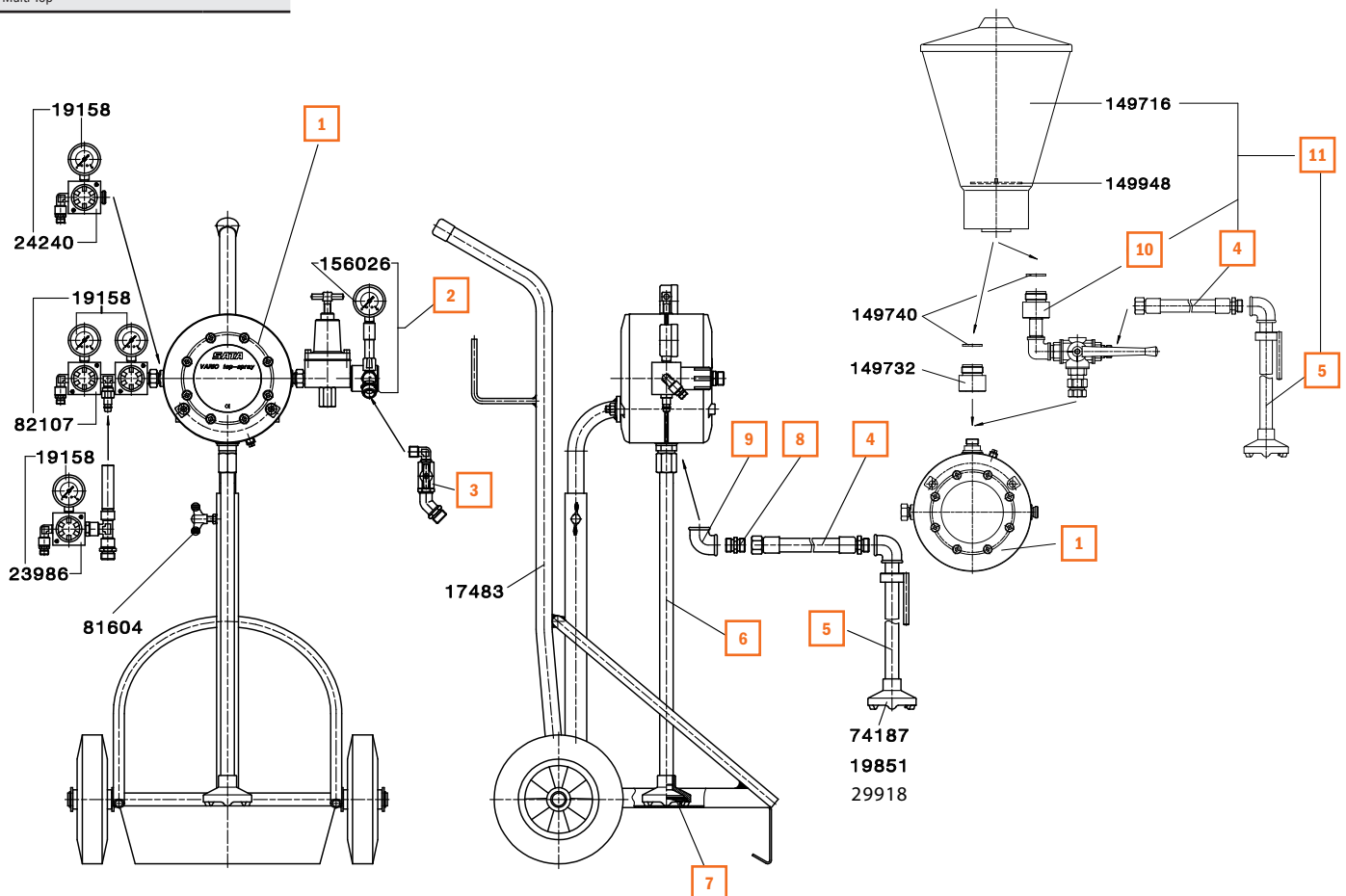
▶ Hoses and hose pairs see page 140 and 141.

Spare parts
SATA® vario top
spray

17483	Trolley, cpl.
19158	Pressure gauge 0 - 10 bar, 50 mm
19851	Sieve hose (packing unit 10 pieces)
23986	Air connection for second spray gun, cpl.
24240	Single pressure regulator, cpl. with pressure gauge 0 - 10 bar
74187	Suction globe, cpl. version for waterborne materials
81604	Wing-shaped handle for stand, SATA pumps and dry-jet
82107	Double pressure reducer, cpl. with pressure gauge 0 - 10 bar
149716	Gravity flow cup 6 l with lid
149732	Container stud
149740	Gasket for gravity container
149948	Flat sieve 20 mesh (packing unit 2 pieces)
156026	Pressure gauge 0 - 6 bar, 50 mm, G 1/4
29918	Circlip for suction globe Spray-Mix, Vario-Top-Spray and Multi-Top

Spare parts
SATA® vario top spray

Part	Standard version	Stainless steel version
1	61192 Double diaphragm pump 1:1, coated version, material connection M 25 x 1.5, male thread, air inlet 1/4" (male thread), grounding cable	88641 Double diaphragm pump 1:1, stainless steel, material connection M 25 x 1.5 male thread, air inlet 1/4" (male thread), without grounding cable
2	24422 Material fine pressure regulator, cpl.	25338 Material fine pressure regulator, cpl., stainless steel
3	72918 Material connection for second spray gun, cpl. for material fine pressure regulator	57570 Material connection for second spray gun, stainless steel, cpl. for material fine pressure regulator
4	62232 Suction hose, cpl.	45047 Suction hose, cpl., connections stainless steel
5	73866 Suction pipe, cpl. with suction globe and sieve insert	74203 Suction pipe, cpl. stainless steel
6	79921 Suction pipe, cpl. with suction globe and sieve insert	80879 Suction pipe, cpl. stainless steel
7	74245 Sieve unit, mesh size 1.0, f. SATA VARIO top-spray, f. water borne paints 74237 Sieve unit, mesh size 0.5, f. SATA VARIO top-spray, f. water borne paints	
8	41384 Threaded nipple 1/2" (male thread), galvanised	82941 Double nipple 1/2" male thread, stainless steel
9	41368 Angle G 1/2" (female thread), galvanised	56564 Angle 90°, stainless steel
10	82909 Conversion set for gravity container SATA Top-Spray	74211 Conversion kit for gravity flow container SATA VARIO top-spray, f. water borne paints
11	37986 Add-on kit gravity container PVC 6 l, cpl. with 3-way ball valve and holder	37226 Add-on kit gravity container PVC 6 l version for waterborne paint, cpl. with 3-way ball valve and holder

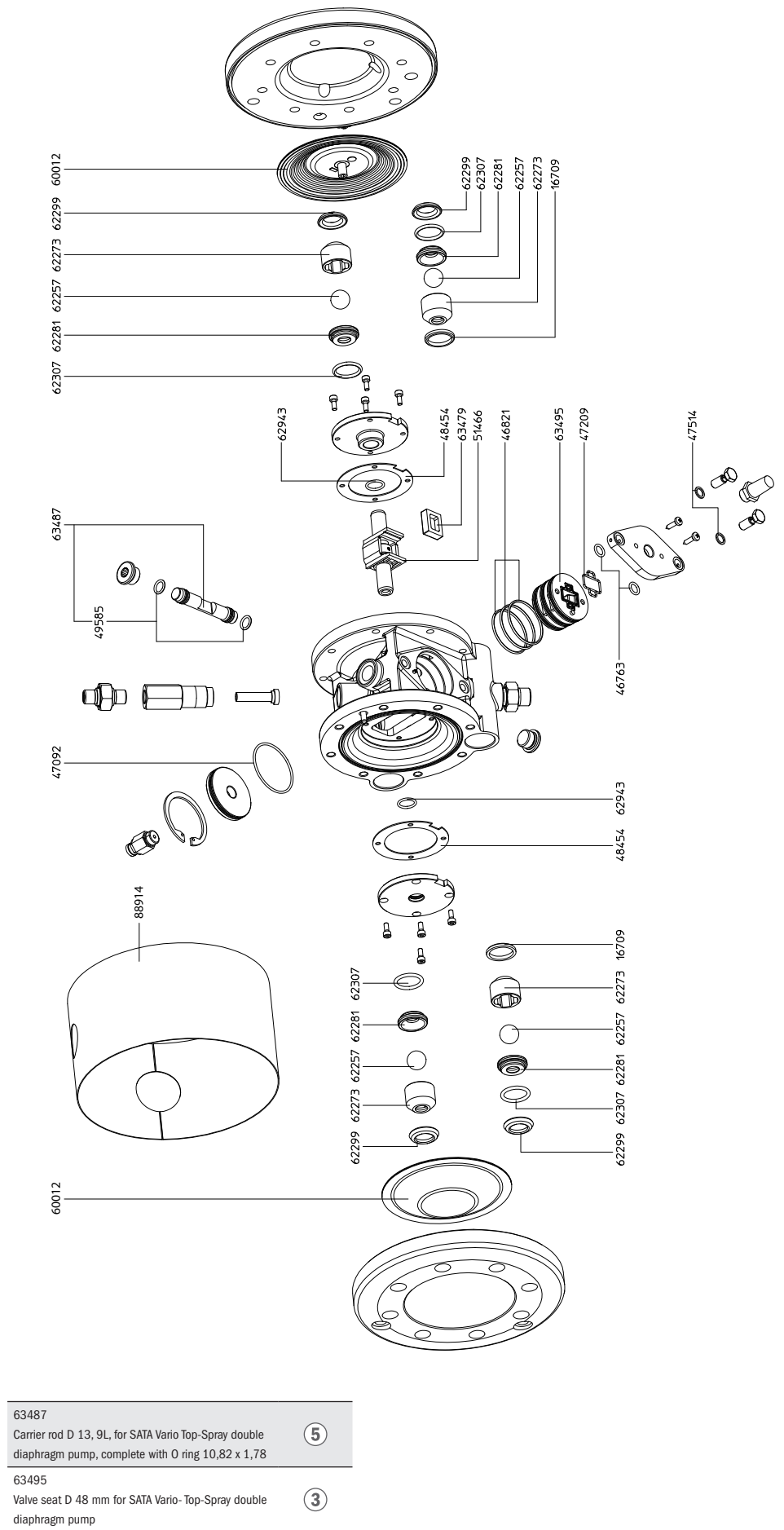


All prices are recommended list prices. Errors, technical modifications and printing errors reserved.

Spare parts	
SATA® vario top	
spray pumps	
	Kit
45195	Sealing kit (1)
60012	Repair kit diaphragm (packing unit 2 pieces) (2)
60038	Repair kit control (3)
60228	Repair kit valves (4)
60301	Repair kit for carrier rod (5)
60657	Repair kit carrier (6)

We generally recommend using aforementioned seal and repair kits as well as exchanging all essential seals and components

Single components of the seal and repair kits	
	In a set
16709	Gasket (4)
46763	O-ring (1, 3, 5)
46821	O-ring (1, 3, 5)
47092	O-ring (1)
47209	Shape seal for double diaphragm pump Top-Spray (1, 3)
47514	Sealing ring (1, 3, 5)
48454	Flat seal D 72 x T 1 for double diaphragm pump Top-Spray (1, 6)
49585	O-Ring 10 x 2 mm, made from Perbunan 70 shore for silencer SATA breathing mask (No. 80-4130) (1)
51466	Driving pin for double diaphragm pump Top-Spray (6)
62257	Ball (4)
62265	Diaphragm complete D123 for SATA Top-Spray double diaphragm pump (2)
62273	Ball-bearing for Vario-Top-Spray double diaphragm pump (4)
62281	Valve seat D12 short for Vario-Top- Spray double diaphragm pump (4)
62299	Profile packing 17,2 x 28,2 x 5,4 for double diaphragm pump Vario-Top- Spray (1, 2, 3, 4, 5, 6)
62307	O-ring (1, 4)
62943	O-ring (1, 6)
63479	Flat valve 24 x 19 mm, for SATA Top- Spray double diaphragm pump (3)



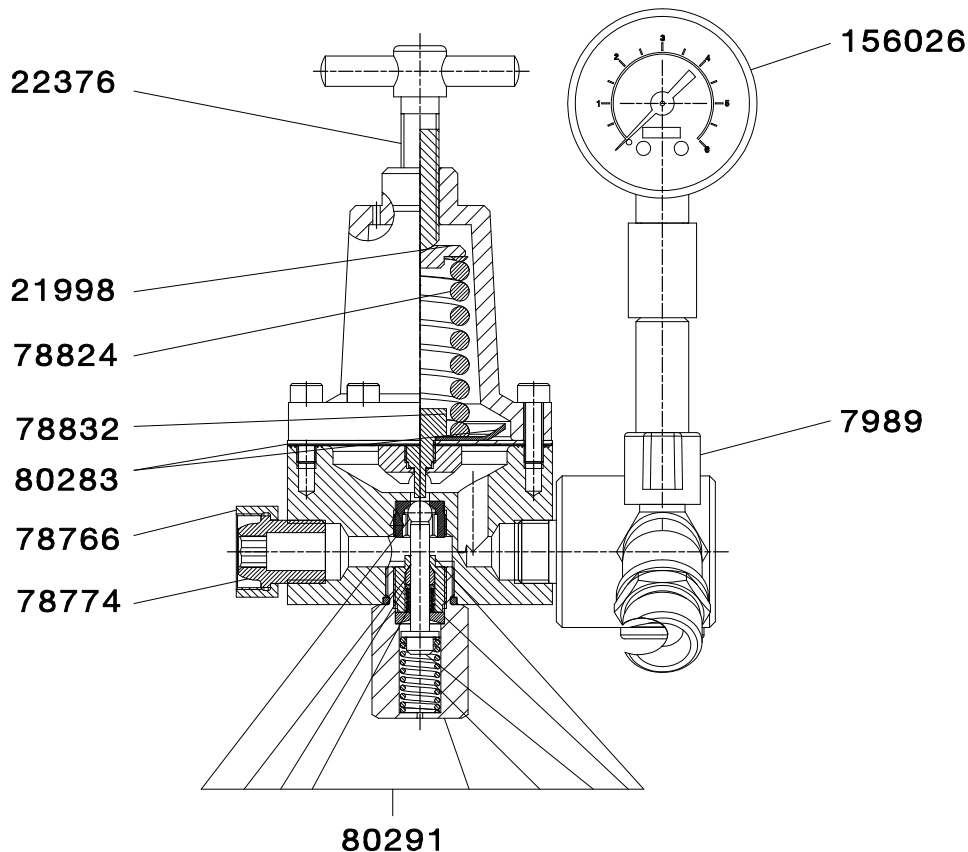
63487	Carrier rod D 13, 9L, for SATA Vario-Top-Spray double diaphragm pump, complete with O ring 10,82 x 1,78 (5)
63495	Valve seat D 48 mm for SATA Vario- Top-Spray double diaphragm pump (3)

Spare parts

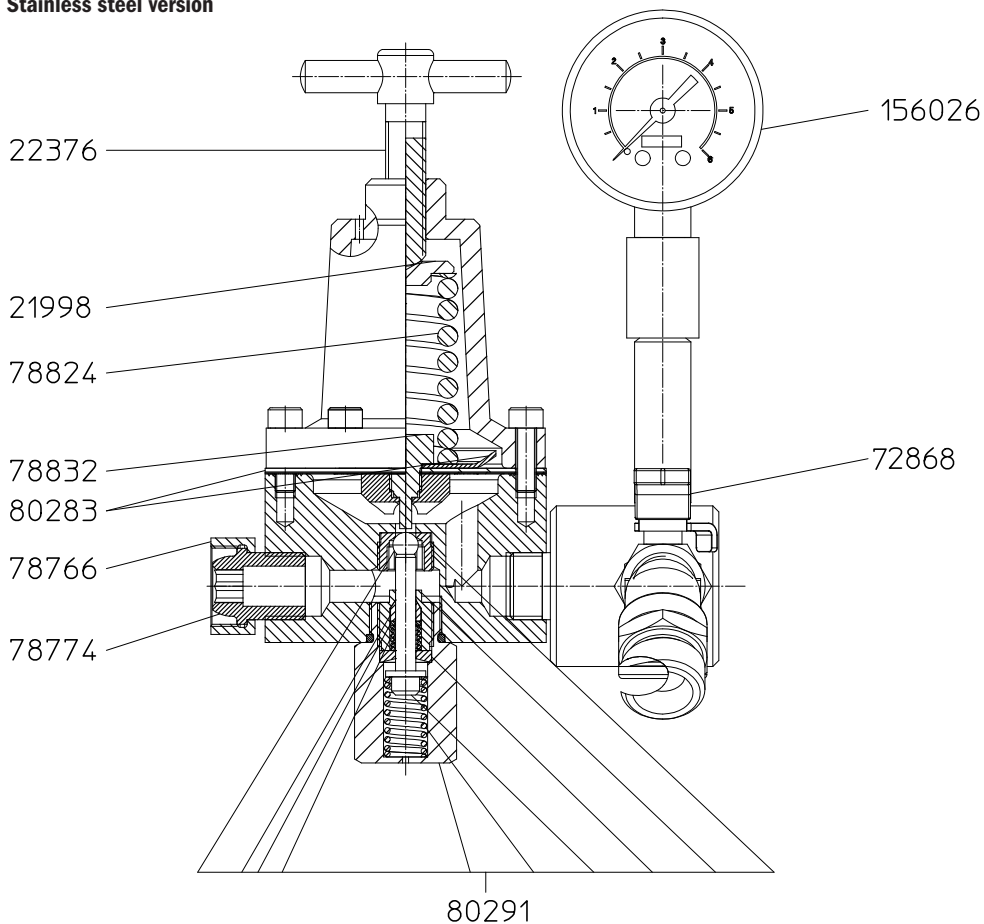
Material Fine Pressure Regulator

7989	Ball tap (Teflon) G 3/8" (female thread)
21998	Pressure plate
22376	Compression screw
78766	Sleeve nut for ball valve
78774	Insert part for material fine pressure regulator SATA vario top spray
78824	Pressure spring for material fine pressure regulator SATA vario top spray
78832	Tappet for material fine pressure reducer Vario-Top-Spray
80283	Diaphragm
80291	Plunger kit, cpl.,
156026	Pressure gauge 0 - 6 bar, 50 mm, G 1/4
149740	Gasket for gravity container
149948	Flat sieve 20 mesh (packing unit 2 pieces)
156026	Pressure gauge 0 - 6 bar, 50 mm, G 1/4
29918	Circlip for suction globe Spray-Mix, Vario-Top-Spray and Multi-Top

Spare parts for:
Standard version



Spare parts for:
Stainless steel version



Grit Blasting Equipment / Blow Guns

Grit blasting equipment

17335

SATA grit blasting gun super version spraying pipe c/w carbide insert



39172

SATA sand blasting-set: sand blast. gun c/w carbide pipe, mask and gloves



38166

SATA grit blasting set SGE with trolley, with grit blasting gun with carbide pipe, mask, container, w/o grit material



Blow guns

15156

SATA blow gun with standard nozzle (blow gun)



26070

Standard nozzle for SATA blow gun 15156 (blow gun)

15180

SATA blow gun with low noise metal nozzle and quick coupling nipple (blow gun)



77586

Special low noise nozzle for SATA blow gun 15180 (blow gun)

15214

SATA blow gun with multi nozzle and quick coupling nipple (blow gun)



26047

Metal-multi-nozzle M 14x1 for SATA blow gun 15214 (blow gun)

133306

SATA turbo blow with quick coupling nipple (blow gun)

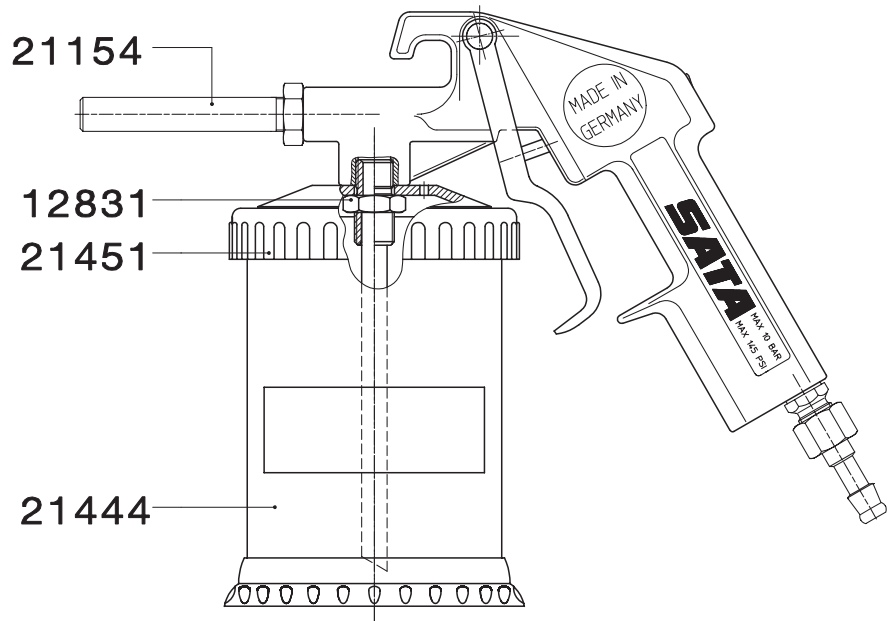


Spare parts

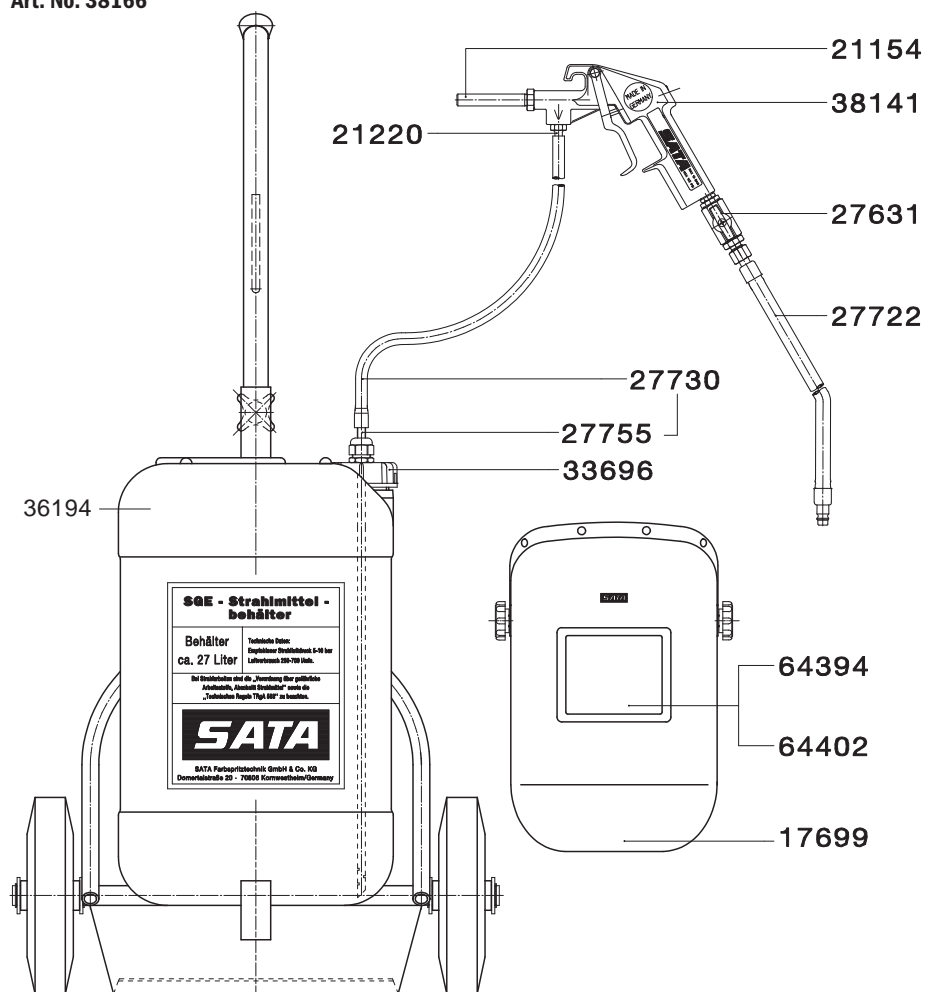
Grit Blasting

12831	Hexagon nut M 14 x 1.5, galvanised
17699	SATA HMO head protection hood
21154	Blast pipe w. carbide insert f. SATA grit blasting gun
21220	Hose olive with 1/4" (male thread)
21444	0.6 l plastic suction cup without lid
21451	Lid for 0.6 l PVC suction cup
27631	Ball tap (Teflon) 1/4" (male thread) x G 1/4" (female thread)
27722	SGE Air hose 9 mm ID, length 10 m
27730	SGE paint hose 6 mm ID, length 5 m with ascension pipe
27755	Ascending pipe, only, for SGE set
33696	Lid, cpl.
38141	SATA SGE gun with carbide spray pipe
64394	Plastic disc (5 pieces)
64402	Glass visor screen (5 pieces)
36194	SGE container f. grit blasting material, empty

Spare parts for:
Art. No. 17335



Spare parts for:
Art. No. 38166



SATA Preservation equipment

Versatile, efficient and practical



SPRAY GUNS

CUP SYSTEMS

BREATHING PROTECTION

FILTER TECHNOLOGY

ACCESSORIES

MERCHANDISE ITEMS

Cavity Preservation

9795

SATA HRS pressurised cup gun with 1.0 l cup (max. 10 bar), without material flow control, flexible nylon and hook wand (16113 and 16139) as well as fix door wand (16071)

24018

SATA HRS complete with nylon wand 16105 and hook wand 24372

12658

SATA HRS pressurised cup gun with 1.0 l cup (max. 10 bar), material flow control, without wands

11072

SATA HRS pressurised cup gun with 1.0 l cup (max. 10 bar), without material flow control, without wands

77347

SATA HRS-E with 1.5 l pressurized cup (max. 10 bar), with material flow control, without wands

172882

SATA HRS-E pressurised cup spray gun with 1.5 l cup (max. 10 bar), for cavity preservation and underbody protection from disposable containers, with material flow control, round spray nozzle 25486, hook wand 16139 and nylon wand 11874

207290

SATA HRS E pressurised cup spray gun with 1.5 l cup (max. 10 bar) for cavity preservation and underbody protection from disposable containers, with material flow control, hook wand 16139 and nylon wand 16113 as well as round spray nozzle

16071

Door wand, steel 1100 mm long, Ø 8 mm, with rotary nozzle 360° and spraying forward

196832

Door wand, steel 150 mm work length, Ø 8 mm, with rotary nozzle 360° rotary fan and spraying forward, with flexible guideway hose 1000 mm

16105

Nylon wand, flexible, 1500 mm long, Ø 6 mm, with rotary nozzle 360°

16113

Nylon wand, flexible, 1300 mm long, Ø 8 mm, with rotary nozzle 360° rotary fan and spraying forward

1058826

Nylon wand, flexible 3000 mm long, Ø 8 mm, with rotary nozzle 360° and spraying forward

11866

Venturi hook wand Ø 5 mm, with flexible guide hose, Venturi spray tube for cavity and surface application

206904

Venturi hook wand Ø 5 mm, hook nozzle cpl. in 300 mm length, with flexible guide hose, Venturi spray tube, for cavity and surface application

11874

Nylon wand, flexible, 1500 mm long, Ø 6 mm, with rotary nozzle 360°, diagonally spraying forward and backward

51185

Nylon wand, semi rigid 1500 mm long, Ø 6 mm, with rotary spray nozzle 360° and spraying diagonal forward and backward

16139

Venturi hook wand, Ø 7 mm, with flexible guiding hose, Venturi spray tube for cavity and surface application

24372

Hook wand Ø 5mm, with flexible guide hose, hook flat nozzle, for cavity and surface application

25486

Round spray nozzle for HRS, conn. I

198762

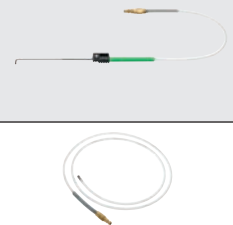
Round spray nozzle for surface application with flexible guide hose for underbody protection

8359

Free passage type quick coupling for HKD1, LM/KK, HRS, connection I

16048

SATA quick coupling nipple 1/4" (male thread) for wands



Barrel pump unit for cavity preservation

14555

SATA HKU 60 l barrel pump unit cpl., consisting of piston pump 1:3, with hose pair 10 m, SATAjet 1000 KK spray gun, nylon, door and hook wand

34389

SATA HKU 200 l barrel pump unit, cpl., consisting of piston pump 1:3 with hose pair 10 m, SATAjet 1000 KK spray gun, nylon, door and hook wand



153700

SATAjet 1000 KK RP nozzle 1.5 with paint tube, 1/4" (male thread) with coupling (Art.-No. 8359)



► Technical data, accessories and spare parts upon request.

Underbody protection

12740

SATA UBE gun type I, for underbody coating with one-way cans

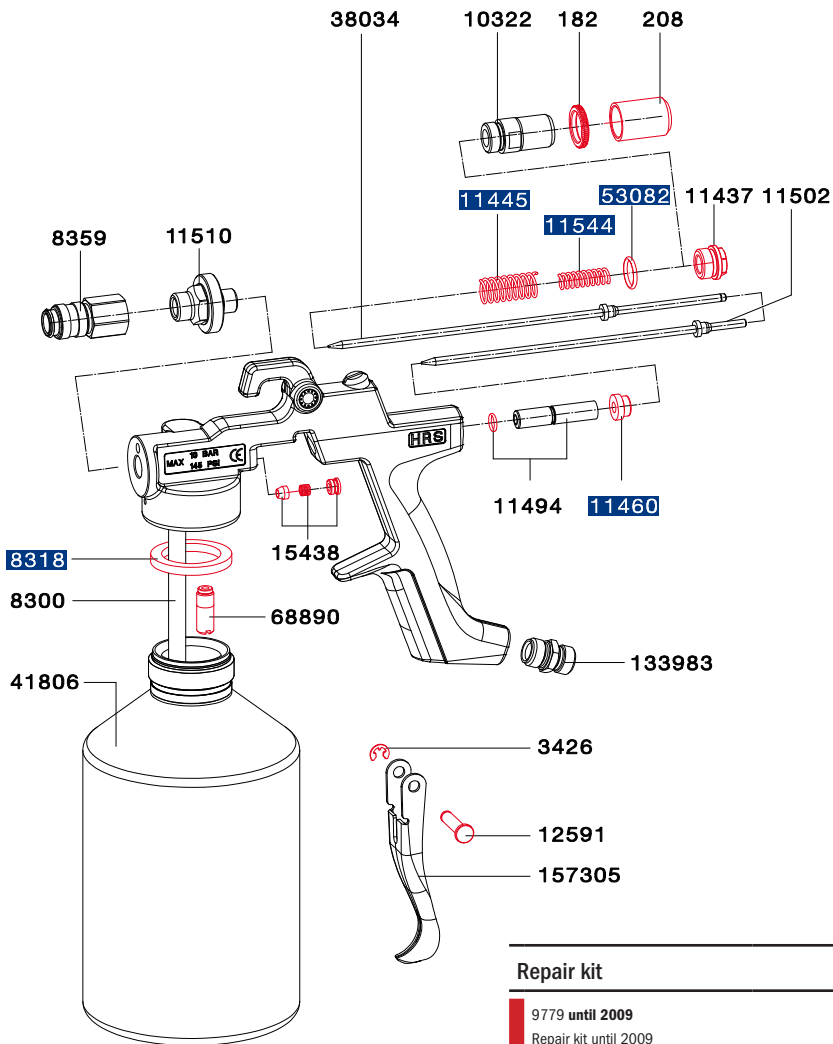
Barrel pump unit for underbody protection

128561

SATA spray mix underbody protection system 1:22, hose pair 10 m, SATAjet 3000 K spray mix gun nozzle 3350, for 60/200 ltr. barrel

Spare Parts
SATA® HRS™

182	Counter nut
208	Material flow control nut
3426	Safety washer 4 mm DIN 6799 stainless steel for trigger
8300	Suction pipe
8318	Sealing ring
8359	Free passage type quick coupling for HKD1, LM/KK, HRS , connection I
10322	Guide sleeve complete, for HRS with material flow control
11437	Closing screw
11445	Pressure spring for air piston
11460	Air piston
11494	Cam rod HRS, complete with O-ring
11502	Paint needle 1.5
11510	Mixing cap HRS, completely machined
11544	Pressure spring for paint needle
12591	Bracket bolt
15438	Paint needle packing
38034	Paint needle, cpl., for HRS, with needle stroke and minimum passage control
41806	1.0 l aluminium pressure pot, max. pressure 10 bar/150 psi, cpl. with threaded ring
53082	O-ring
68890	Inflow valve
133983	Air connection piece 1/4" male thread
157305	Trigger

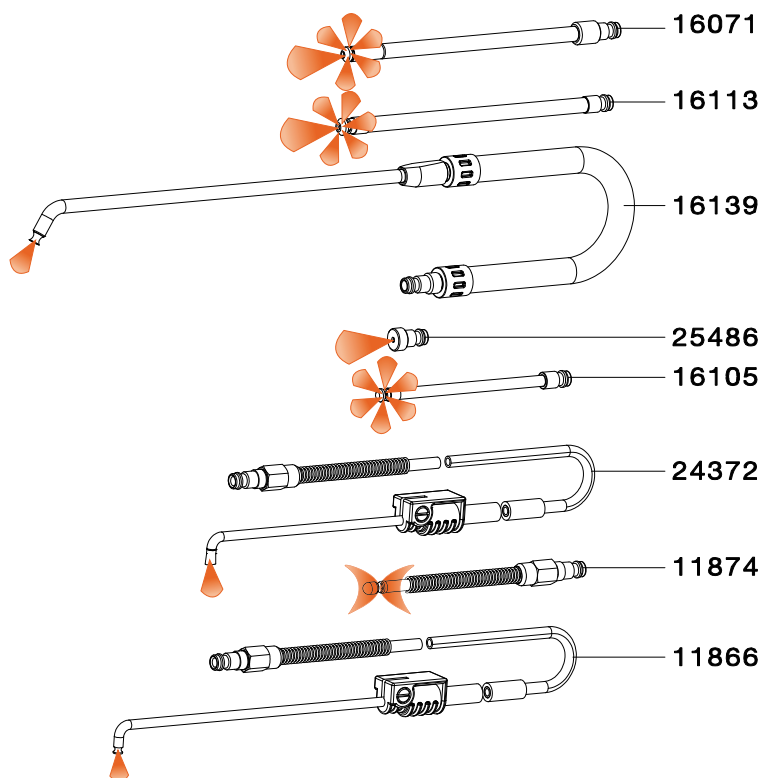


Repair kit

9779 until 2009
Repair kit until 2009

161158 from 2010
Repair kit as of 2010

35204
Wear-and-tear parts kit for HRS



SATA Cleaning Systems

SPRAY GUNS

CUP SYSTEMS




BREATHING PROTECTION

FILTER TECHNOLOGY

ACCESSORIES

MERCHANDISE ITEMS

















Intermediate Cleaning

			
Available versions	SATA clean RCS	SATA clean RCS compact	SATA clean RCS micro
Art. No.	145581	192518	202564

Final Cleaning







SATA multi clean 2
38257




Technical Data

Dimensions (W x H x D) in mm	310 x 705 x 225	310 x 465 x 225	185 x 465 x 205
Net weight	10 kg	7 kg	4 kg
Inlet pressure	6,0 bar - 8,0 bar	4,0 bar	4,0 bar
Air consumption	135 NI per cleaning incl. drying process		
Air connection	1/2" male or G 1/4" female thread	1/4" male thread	
Container for cleaning agent	2x RPS cups; alternatively: retrofit kit for external pick-up and recirculation of cleaning agent from two bulk containers (Art. No. 189472)	2 containers (not included in delivery)	
Required time per cleaning process	approx. 25 sec		
Rinsing agent volume per cleaning	approx. 140 ml		
Type of cleaning agent	Water, solvent-based or combination cleaner		
External pick-up and recirculation of cleaning agent for bulk containers			
Manual cleaning			
Automatic cleaning with time control	-	-	-
Integrated drying			
Blow-off device			
Number of cleaning/drying chambers	2	2	1
Installation location	Spray booth	also in the mixing room/area outside the spray booth	
The spray gun can remain connected to the air line during the cleaning		-	-
Connection for exhaust air			


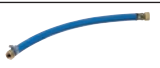





 Standard |  Optional | - non-existing/not required

Technical Data









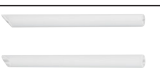
Dimensions (W x H x D) in mm	660x1000x380
Net weight	30 kg
Inlet pressure	5,0 bar - 6,0 bar
Air consumption	270 NI per cleaning process
Air connection	G 1/4" female thread
Container for cleaning agent	2 containers of each 15 litres
Required time per cleaning process	max. 3 min
Rinsing agent volume per cleaning	max. 200 ml
Type of cleaning agent	Water, solvent-based or combination cleaner
External pick-up and recirculation of cleaning agent for bulk containers	
Manual cleaning	
Automatic cleaning with time control	
Integrated drying	-
Blow-off device	
Number of cleaning/drying chambers	1
Installation location	Mixing room/Area in front of the spray booth
The spray gun can remain connected to the air line during the cleaning	-
Connection for exhaust air	

		
SATA clean RCS	SATA clean RCS compact	SATA clean RCS micro

Recommended connection accessories (depending on the installation method)

10934 Ball tap (Teflon) 1/2" male thread for air inlet	X			
146514 SATA air hose, blue, 13 mm, 0.5 m, G 1/2" (female thread), one connection included	X			
13870 SATA air hose, blue, 9mm, 1.2 m with quick coupling, red and nipple	X	X	X	
53090 SATA air hose, blue, 9mm, 10 m with quick coupling, red and nipple	X	X	X	
13581 SATA quick coupling G 3/8" (female thread)	X			
13623 SATA quick coupling 1/4" (male thread)	X			
192633 Add-on kit: Suction hose for solvent vapours	X	X	X	

Other accessories/spare parts

9886 SATA gravity gun holder for gravity cup spray guns	X	X		
192195 SATA universal spray gun and hose holder	X	X		
6981 SATA quick coupling nipple G 1/4" (female thread) (packing unit 5 pieces)		X	X	
53942 Nipple G 1/4 f. GS respirator, UBE + blow-off gun, size 14	X			
189472 Conversion kit external cleaning agent - suction and recirculation	X	X	X	
146985 Repair kit	X	X	X	
146993 Splash guard with fixing rivet (each 5 pieces)	X	X	X	
147082 Grounding cable, 3 m, 4 mm ²	X	X	X	
153965 Hose, transparent, 8 x 1, 95 mm, for spray guns with adapter (packing unit 2 pieces)	X	X	X	

Accessories and spare parts SATA multi clean 2

21188 Pressure reducer with gauge 0 - 10 bar				
26815 Flexible aluminium tube, 5 m long, complete with two tube fittings, for suction unit SATA multi-clean-2				
40840 Cup lid cleaning unit for gun washing equipment SATA multi-clean				
48330 Blow cycle knob with valve, cpl.				
40907 Spring clasp (packing unit 3 pieces)				
49072 Cleaning agent container without lid				
38042 Filter mat				

SATA® trueSun™
The Daylight Solution

SPRAY GUNS

CUP SYSTEMS

BREATHING PROTECTION

FILTER TECHNOLOGY

ACCESSORIES

MERCHANDISE ITEMS





SATA® trueSun™

Technical data:

Battery operating time:	70 min.
Weight:	approx. 470 g
Charging time:	50 Min



Available versions

1006411
SATA trueSun, incl. battery charger and battery, EU



1013094
Storage Case SATA trueSun, incl. foam inlay



1013151
Foam inlay with pinched inlay for storage case SATA trueSun

Spare parts

SATA® trueSun™

1012096	Shock protection
1010082	Battery
1012137	Protective glass If protective foil is on the glass, please remove before using!
1007154	Battery charger EU



All prices are recommended list prices. Errors, technical modifications and printing errors reserved.



SATA® dry jet 2™

Technical data:

Air consumption:	270 NI/min
Inlet pressure:	2.5 bar
Max. inlet pressure:	10.0 bar



Available versions

217489
SATA dry jet 2 blow gun



SATA dry jet stand (adjustable height: 30 - 190 cm)

223008
SATA dry jet 2 stand with height-adjustable bracket, 2 blow guns



84145
Height extension approx. 120 cm, stainless steel for SATA dry jet stand

86140
Extension for SATA dry jet 97 stand with third blow gun

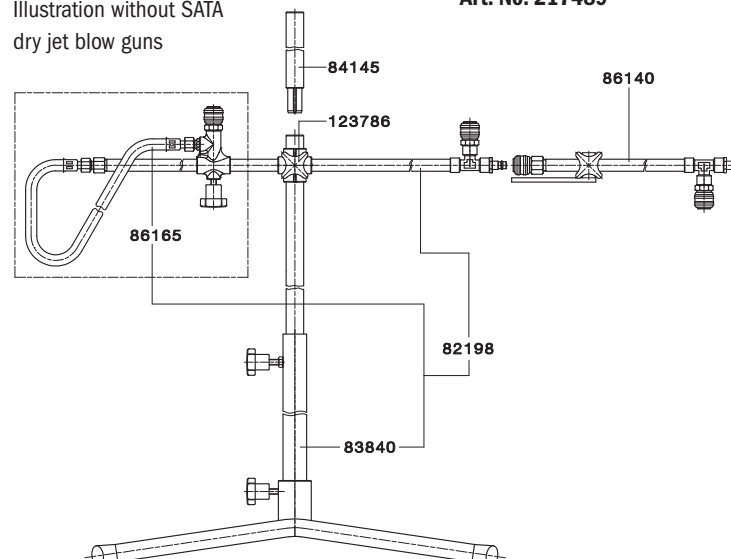
Spare parts

SATA® dry jet 2™

82198	Stand for SATA dry jet without blow guns
83840	Stand, complete, for Vario-Top-Spray and dry-jet, can be disassembled
84145	Height extension approx. 120 cm, stainless steel
86140	Extension for SATA dry jet 97 stand with third blow gun
86165	Conversion kit for SATA dry jet, adjustable version
123786	Cross piece, cpl. for dry-jet 2
1024257	Spare flat sieve 200 µm, pastel green (packing unit 10 pieces)
222232	Filter holder
223834	Flat fan nozzle

Spare parts for:

SATA dry jet stand
Art. No. 223008
Illustration without SATA
dry jet blow guns



223834 — Flat fan nozzle
222232 — Filter holder
1024257 — Spare flat sieve 200 µm, pastel green (packing unit 10 pieces)

Spare parts for:
SATA dry jet 2
Art. No. 217489



SATA® hoses

Breathing air hoses, cpl. assembled*	
49080	Safety compressed air supply hose CE 10 mm, f. SATA respirators CE version, 6 m long, cpl. according to DIN EN 139/270
176792	Safety compressed air supply hose CE 10m, ø 10 mm DIN EN 139/270 for SATA respirators
180851	Safety compressed air supply hose CE 40m, ø 10mm, DIN EN 139/270 for SATA respirators
Air hoses, cpl. assembled*	
37655	SATA air hose, blue, 9 mm, 6 m with quick coupling, red and nipple
195420	SATA air hose, blue, 9 mm, 7.5 m with quick coupling, red and nipple
53090	SATA air hose, blue, 9mm, 10 m with quick coupling, red and nipple
189068	SATA air hose, blue, 9 mm, 15 m with quick coupling, red and nipple
9902	SATA air hose, blue, 9 mm, 10 m long, G 1/4" (female thread)
51300	SATA air hose, blue, 13 mm, 10 m long, G 1/2" (female thread) for SATA vario top spray and FDG with 2. spray gun outlet
4754	SATA air hose, blue, 6 mm, 10 m long with quick coupling and nipple
13870	SATA air hose, blue, 9mm, 1.2 m with quick coupling, red and nipple
Air hoses, cpl. assembled*	
54353	SATA PVC air hose, transparent, 2 m long with mini quick coupling, nipple with G 1/4" (female thread) and quick coupling nipple for SATAMinijet 4400 B, minijet 3000 B and jet 20 B
32987	SATA PVC compressed air hose, transparent, 3 m long with G 1/4" (female thread), mini quick coupling and nipple for SATAjet 20 B
134791	SATA Fibre air hose, 2.5 m long with G 1/4" (female thread), mini quick coupling for SATAglyph 1 / 2 / 3 (jet 20 B)
Hose pairs for SATA paint pressure tanks and SATA vario top spray*	
147520	SATA hose pair 9 x 9 mm, 6 m, with covering fabric netting, G 3/8" and G 1/2" (material), G 1/4" (air) (female thread) for SATA FDG and vario top spray
147512	SATA hose pair 9 x 9 mm, 10 m, with covering fabric netting, G 3/8" and G 1/2" (material), G 1/4" (air) (female thread) for SATA FDG and vario top spray
147504	SATA hose pair 9 x 9 mm, 15 m, with covering fabric netting, G 3/8" and G 1/2" (material), G 1/4" (air) (female thread) for SATA FDG and vario top spray
19869	SATA hose pair 9 x 9 mm, 1.5 m, G 3/8" and G 1/4" (material), G 1/4" (air) (female thread) for SATA mini set 2
77834	SATA hose pair 9x9mm, 6m, with covering fabric netting, G3/8" and G1/2" (mat., stainless steel), G1/4" (air) (female) SATA FDG + vario top spray
77842	SATA hose pair 9x9mm, 10m, with covering fabric netting, G 3/8" and G 1/2" (mat., stainless steel), G 1/4" (air) (female)SATA FDG+vario top spray
77859	SATA hose pair 9x9mm, 15m, with covering fabric netting, G 3/8" and G 1/2" (material, stainless steel), G 1/4" (air) SATA FDG and vario top spray
160994	Protective Sleeve for hose pair individual 6m
161000	Protective Sleeve for hose pair individual 10m
161018	Protective Sleeve for hose pair individual 15m
7047	Hose clips (10 pieces) for air hose and material hoses, 9 mm

Hose pairs for SATA material pressure tanks and SATAminijet 1000 K

187708	SATA hose pair 6 x 6 mm, 3 m, G 1/4" (female thread) (material and air) for SATA mini set 2
187716	SATA hose pair 6 x 6 mm, 6 m, G 1/4" and G 1/2" (material), G 1/4" (air) (female thread) for SATA FDG / SATA vario top spray
187724	SATA hose pair 6 x 6 mm, 10 m, G 1/4" and G 1/2" (material), G 1/4" (air) (female thread) for SATA FDG / SATA vario top spray
187732	SATA hose pair 6 x 6 mm, 15 m, G 1/4" and G 1/2" (material), G 1/4" (air) (female thread) for SATA FDG / SATA vario top spray

Hose pairs and dual hoses for SATA spray mix units*

19984	SATA spray mix hose pair, 6 x 4 mm, 5 m, G 1/4" (female thread) (material and air)
19992	SATA spray mix hose pair, 6 x 4 mm, 10 m, G 1/4" (female thread) (material and air)
20008	SATA spray mix hose pair, 6 x 4 mm, 15 m, G 1/4" (female thread) (material and air)
1006099	SATA spray mix hose pair, 6 x 4 mm, 15 m long, material connection M16x1.5 (female thread), air connection G 1/4" (female thread)
1006081	SATA spray mix hose pair, 6 x 4 mm, 10 m long, material connection M16x1.5 (female thread), air connection G 1/4" (female thread)
1006106	SATA spray mix hose pair, 6 x 4 mm, 5 m long, material connection M16x1.5 (female thread), air connection G 1/4" (female thread)
97022	SATA spray mix hose pair with covering fabric netting, 6 x 6 mm, 7.5 m, G 1/4" (female thread) (material and air)
97030	SATA spray mix hose pair with covering fabric netting, 6 x 6 mm, 15 m, G 1/4" (female thread) (material and air)

Air hoses, unassembled*

50252	SATA air hose, blue, 9 mm, 6 m
50591	SATA air hose, blue, 9 mm, 10 m
50641	SATA air hose, blue, 9 mm, 15 m

Air hoses, unassembled*

49155	SATA material hose, green 9 mm, 6 m
49999	SATA material hose, green, 9 mm, 10 m
50161	SATA material hose, green, 9 mm, 15 m

Individual components for the quick coupling system

6981	SATA quick coupling nipple G 1/4" (female thread) (packing unit 5 pieces)
7237	SATA quick coupling, red with hose olive 9mm and quick coupling nipple G 1/4" (female thread) (each 2 pieces)
13615	SATA quick coupling 1/2" (male thread)
13649	SATA quick coupling with hose olive 6 mm
13631	SATA quick coupling, red, with hose olive 9 mm
13623	SATA quick coupling 1/4" (male thread)
13599	SATA quick coupling G 1/4" (female thread)
13607	SATA quick coupling G 3/8" (male thread)
13581	SATA quick coupling G 3/8" (female thread)
13565	Connection piece 103/6 f. SATA quick coupling 103/6 f. 6 mm inside dia.
13557	Hose olive 9 mm for air quick coupling
13524	Nipple 1/8" (male thread) for SATA quick coupling
53942	Nipple G 1/4 f. GS respirator, UBE + blow-off gun, size 14
13508	Nipple 3/8" (male thread) for SATA quick coupling
13516	Nipple G 3/8" (female thread) for SATA quick coupling

* SATA hoses are antistatic, with an electrical resistance < 1MΩ and free of substances incompatible with paint
 ** SATA hoses are free of substances incompatible with paint

SATA® Painting Overalls

SATA suit race

184267

SATA suit race, size S (42/44), 98% Polyester, 2% Carbon

184275

SATA suit race, size M (46/48), 98% Polyester, 2% Carbon

184283

SATA suit race, size L (50/52), 98% Polyester, 2% Carbon

184291

SATA suit race, size XL (54/56), 98% Polyester, 2% Carbon

184309

SATA suit race, size XXL (58/60), 98% Polyester, 2% Carbon



SATA suit space

212035

SATA suit space, size S (42/44)

212043

SATA suit space, size M (46/48)

212050

SATA suit space, size L (50/52)

212068

SATA suit space, size XL (54/56)

212076

SATA suit space, size XXL (58/60)



SATA suit grey

221416

SATA suit grey, size M (48/50)

143255

SATA suit grey, size L (50/52)

5470

SATA suit grey, size XL (54/56)

221440

SATA suit grey, size XXL (58/60)



SATA suit white

221432

SATA suit white, size M (46/48)

129460

SATA suit white, size L (50/52)

129445

SATA suit white, size XL (54/56)

221424

SATA suit white, size XXL (58/60)



SPRAY GUNS

CUP SYSTEMS

BREATHING PROTECTION

FILTER TECHNOLOGY

ACCESSORIES

MERCHANDISE ITEMS

PREMIUM SPRAY GUNS



Merchandise Items

Merchandise Items

235481

Jersey Drawstring Bag

- Material: Polyester Jersey, Color: Anthracite
- Dimensions (W x H): 36.5 x 45.5 cm
- Large drawstring bag made of soft jersey material; main compartment with side zipper pocket; drawstring; carrying loop.



235416

Foldable car boot bag

- Material: Easy-care polyester (water resistant), Colour: Black
- Dimensions (W x H x D): 30 x 32 x 27 cm, storage volume approx. 40 l, can be folded to 5 cm with a rubber band
- Robust dividing and exterior walls as well as reinforced bottom, padded handles (can be used as shopping basket)
- Net bags for smaller objects
- With this practical car folding box, everything is stowed away properly and in its place. Perfect for car cleaning products, groceries, sports gear, tools, beverages and much more.



235440

Cosmetics bag "travelcosmetic" by Reisenthel

- Material: high-quality polyester material, water-resistant, colour: red
- Dimensions (W x H x D): 26 x 28 x 13.5 cm
- Volume: 4 l
- Robust and comfortable thanks to integrated metal brackets
- 3 loops on the inner wall, 1 zippered inner pocket
- Hand strap



235507

Backpack SPLASH

- Material: Tarp, Colour: Black
- Dimensions (W x H x D): 32.5 x 70 x 21.5
- Large, spacious main compartment with welded stitching and roll closure that reliably protects against dust and water; comfortable backpack carrying system



235465

Car smartphone holding bracket with magnet

- Material: metal, colour: black/silver
- Dimensions: Ø 3.8 cm

Smartphone holding bracket to fix smartphones in place. Compatible with all current ventilation grilles. Secure hold due to strong magnet.



235390

2-in-1 key ring cable with charging and data transfer function

- Material: ABS/PTE/metal, Colour: White/silver
- Dimensions (W x H x D): 13.3 x 1.1 x 1.5 cm
- Practical key ring with USB cable and 2-in-1 connection.
- By turning the connector 180° it can be used universally for Android and iOS. With loading and data transfer function.



Merchandise items

235432

Textile Powerbank 5,000 mAh

- Material: ABS/Textile
- Dimensions (W x H x D): 12.9 x 7 x 1.1 cm, weight: 132 g
- Capacity: 5.000mAh/25 Wh
- Input: DC 5V/1A, Output: DC 5V/1A
- Micro-USB cable included
- Lithium-polymer battery



235473

GripCleaner 4-in-1 Mousepad

- Material: 100% P-9000® Microfibre
- Dimensions (W x H): 23 x 20 x, Edge: Round-Cut
- Four functions: Mousepad, display cloth, lens-cleaning cloth and display protector.
- Thousands of anti-slip dots on the back of the microfiber cloth ensure maximum grip during use.



234849

Zippo SATA lighter "PHASER"

- Material: Chrome brushed
- PHASER logos on the front side



99168

SATA Jumbo Mug

- Material: Porcelain, colour: red
- Volume: 0.40 l, size: Ø approx. 9 cm
- Smooth, shiny surface with white logo outside
- Transport packaging only for purchase of 6 pieces - single pieces are delivered without packaging



235499

SATA RPS Coffee cup

- Material: Porcelain, Colour: White
- Volume: 0.34 l, size: Ø ca. 10.5 cm
- Smooth, shiny outside surface
- Transport packaging only for purchase of 6 pieces - single pieces are delivered without packaging



233197

Miniature SATAjet 5000 B PHASER spray gun

- Spray gun SATAjet 5000 B PHASER key ring
- Material: Nickel-plated
- Dimensions (W x H): 4.3 x 5 cm



1063734

Miniature SATAjet X 5500 spray gun

- Spray gun SATAjet X 5500 key ring
- Material: Nickel-plated
- Dimensions (W x H): 4.3 x 5 cm



Merchandise items

184259

Baseball Cap in Elegant SATA Design

- Stylish, high-quality 6-panel cap with sandwich edging
- Curved shield and adjustable metal closure in matt silver
- Material: Heavy, brushed cotton
- Colour: Black with red 3D contrast stripe on the side
- Exclusively woven SATA logo on the front side, white text „SIMPLY THE BEST" on the red sandwich trim and stitched "www.sata.com" on the back

**T-Shirt with precious SATA design**

- High wearing comfort
- Refined with SATA logo on the left chest side
- Colour: Black
- Material: 100 % cotton
- Can be washed up to 40° C, complies with Öko-Tex Standard 100



184366

Size S

184374

Size M

184382

Size L

184390

Size XL

184408

Size XXL

Illustration similar

Polo Shirt with precious SATA design

- High wearing comfort
- Refined with SATA logo on the left chest side
- Colour: Black
- Material: 100 % cotton
- Can be washed up to 40° C
- Complies with Öko-Tex Standard 100



184317

Size S

184325

Size M

184333

Size L

184341

Size XL

184358

Size XXL

Illustration similar

Notes

SPRAY GUNS

CUP SYSTEMS

BREATHING PROTECTION

FILTER TECHNOLOGY

ACCESSORIES

MERCHANDISE ITEMS



SATA GmbH & Co. KG
Domertalstraße 20
70806 Kornwestheim
Germany
Tel. +49 7154 811-200
Fax +49 7154 811-194
E-Mail: export@sata.com
www.sata.com

Errors and alterations reserved. SATA, SATAjet, the SATA logo and/or other SATA products referenced herein are either registered trademarks or trade-marks of SATA GmbH & Co. KG in the U.S. and/or other countries.

3434-201216-5-238105